



DFN350

18V LXT Li-ion Cordless Brad Nailer

COMPACT & LIGHTWEIGHT



18V
LITHIUM-ION

XPT

Low Reaction Force Mechanism

prevent an incomplete nailing without pushing down tool body



Trigger lock



Driving depth adjustment

The driving depth is adjustable by turning the dial



Optimum weight balance for easy handling



Centre of gravity

with window for check of remaining nails



Slim nose adapter with a narrow tip width

can be inserted into up to 6mm wide groove of baseboard

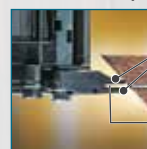


LED joblight



Anti-slip contact top

grips workpiece firmly regardless of the position of contact top, allowing for shooting nail into chamfer strip



Contact arm

Nail Shooting port

Spike grips workpiece firmly regardless of the position of the contact top

upside

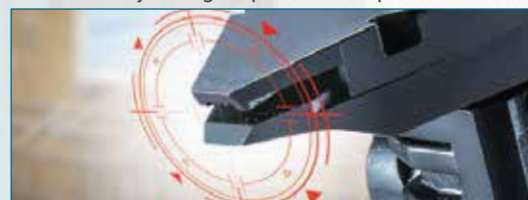
sideways

downside



Nail outlet port placed in the center of the contact top

allows for easy aiming for precision nail placement



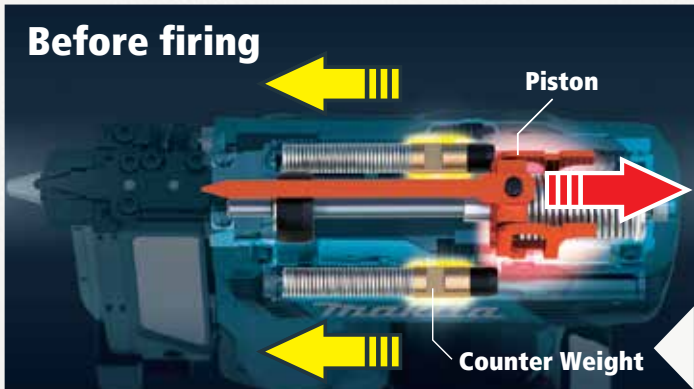
Contact Arm Mechanism

Enables "continuous nailing" and "drag nailing".

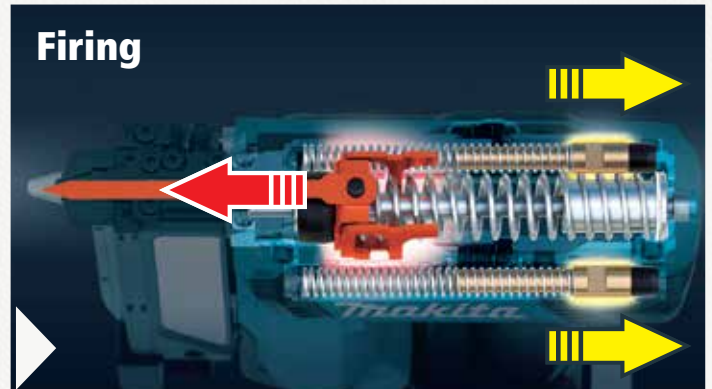
To drive a pin, press the nose tip to a workpiece, and then pull the trigger



COUNTER WEIGHT MECHANISM



While nailer is pulled backward, weight moves forward.



Nailer drives a pin nail into workpiece at a stroke and simultaneously weight moves backward. This unique mechanism reduces reaction at firing.

SPECIFICATIONS

Cordless Brad Nailer

DFN350



Capacity	Length: 15 - 35 mm Gauge: 18 Ga
Magazine Capacity	110
Shot quantity on a single full battery charge	w/ BL1850B: 4,000 shots
Vibration Level	2.5 m/s ² or less
Dimensions (L x W x H)	w/ BL1820B: 240x79x228 mm w/ BL1830B / BL1840B / BL1850B / BL1860B: 257x79x228 mm
Net weight	2.1 - 2.4 kg
Standard Equipment: Safety Goggles, Nose Adapter, Hex Wrench, Belt Clip.	

Depth Adjustment Auto Firing Stop Built-in Job Light



ACCESSORIES - Brad Nails

	Length	Part No.
Brad Nail (5,000 pcs/box)	15mm	B-04307
	20mm	B-04313
	25mm	B-04329
	30mm	B-04335
	35mm	B-04357

Available Variants				
TYPE	VARIANTS	BATTERIES/PCS	CHARGER	MAKPAC CARRY CASE
W/o Battery and Charger	DFN350Z	0	NO	NO
With 2pcs 5.0Ah Li-ion battery, 1pc charger & MAKPAC case	DFN350RTJ	2	YES	YES

