



DLW140

18V+18V Li-ion CORDLESS PORTABLE CUT-OFF SAW

355 mm (14")

World's First Cordless Portable Cut-off Saw

**BL
MOTOR**

18V + 18V → 36V

Cutting work
Amount

130cuts

75 x 45mm, T : 0.8mm metal stud
with BL1850B x 2

Tool-less replacement of abrasive cut-off wheel



Electric brake

Quick release vise

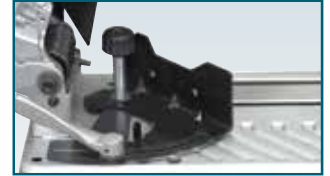


Load status indicator



As the motor load increases, the lighting lamp increases

Tool-less adjustment of guide plate



allows for easy adjustment of the guide plate by simple handling

- 3 stage position change
- 0 to 45 degree angle adjustment

Saw head locking by pin lock



makes it easy to lock down the saw head for storage and transport

Carry handle for easy transport to job site


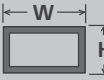
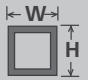



Large spark guard



Cutting Capacity

A workpiece thinner than 1.6 mm is recommended for cutting with this tool

Form of materials	Miter angle	
	0°	40°
	D : $\phi 127\text{mm}$ (5")	D : $\phi 127\text{mm}$ (5")
	H x W : 115 x 130mm (4-1/2" x 5-1/8") 102 x 194mm (4" x 7-5/8") 70 x 233mm (2-3/4" x 9-1/8")	H x W : 115 x 103mm (4-1/2" x 4-1/16")
	H x W : 119 x 119mm (4-11/16" x 4-11/16")	H x W : 106 x 106mm (4-3/16" x 4-3/16")
	S x S : 137 x 137mm (5-3/8" x 5-3/8")	S x S : 100 x 100mm (4" x 4")

D : Diameter W : Width H : Height S : Side

Accessory

Abrasive cut-off wheel

For all ferrous materials (Steel, cast iron) and other hard metals.



Size (mm) : 355x2.5x25.4

Grit : A36P-BF

Part No. B-64696-25



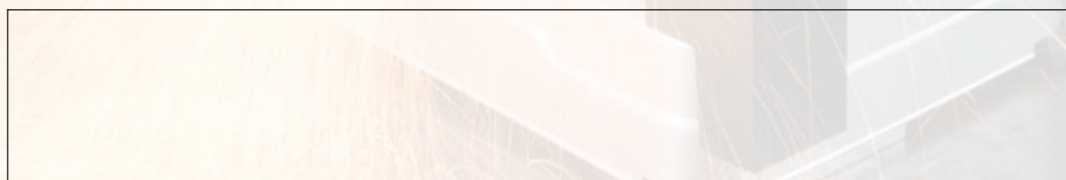
Portable Cut-off Saw **DLW140** 355 mm (14")

-  Brake
-  Soft Start

Wheel Diameter	355 mm (14")
Hole Diameter	25.4 mm (1")
No Load Speed (RPM)	3,800
Max Output	1,300 W
Vibration Level	2.5 m/s ²
Sound Pressure Level	103 dB
Sound Power Level	115dB
Dimensions (L x W x H)	537x290x640 mm
Net weight	17.2 - 17.8 kg

AVAILABLE VARIANTS

AMPERE	VARIANTS	BATTERIES	2 port CHARGER	CARRY CASE
6.0Ah version	DLW140PG2	2	1	-
W/O BATTERY/ CHARGER	DLW140Z	0	0	-



Makita
Makita Gulf FZE
www.makita.ae