



DML814

LXT CORDLESS TOWER LIGHT / WORK LIGHT (12 LED)
POWERED BY 18V LITHIUM-ION BATTERY

Designed to provide illumination for worksites with the toughest conditions

MAX LUMINOUS FLUX : 3,000LM
MAX HEIGHT : 2,240MM



Spot Lighting



Area Lighting



IP55

Certified for advanced protection against dust and water



Two lighting modes Spot lighting / Area lighting



right & left
115°



up & down
110°



up & down
90°

Pivoting range of light head for Spot lighting

Pivoting range of 3 small light heads for area lighting

Battery capacity warning function



automatically notifies the user about reduction in battery capacity with the decrease of illuminance (Only one LED is ON for notification)

Easy installation and removal of battery

The battery port is located at the middle height of the worklight so that the user need not bend down to access the battery

Padlock hole for battery theft protection



padlock not included

Three hook holes for the shoulder belt

Two hook holes are located on the carrying handle beside the battery, and one on the end of a tripod leg

Tripod fixing hole

The tripod can be firmly secured to the ground with a screw or peg



Foldable into a compact size for simple storage and transport



Push the unlock button to expand / fold the tripod base



Shoulder belt
Attachable to the worklight or tool bag for comfortable carrying of the worklight



Continuous run time (with BL1850B)

High	Medium	Low
3.0 h	5.5 h	10 h

3 brightness settings

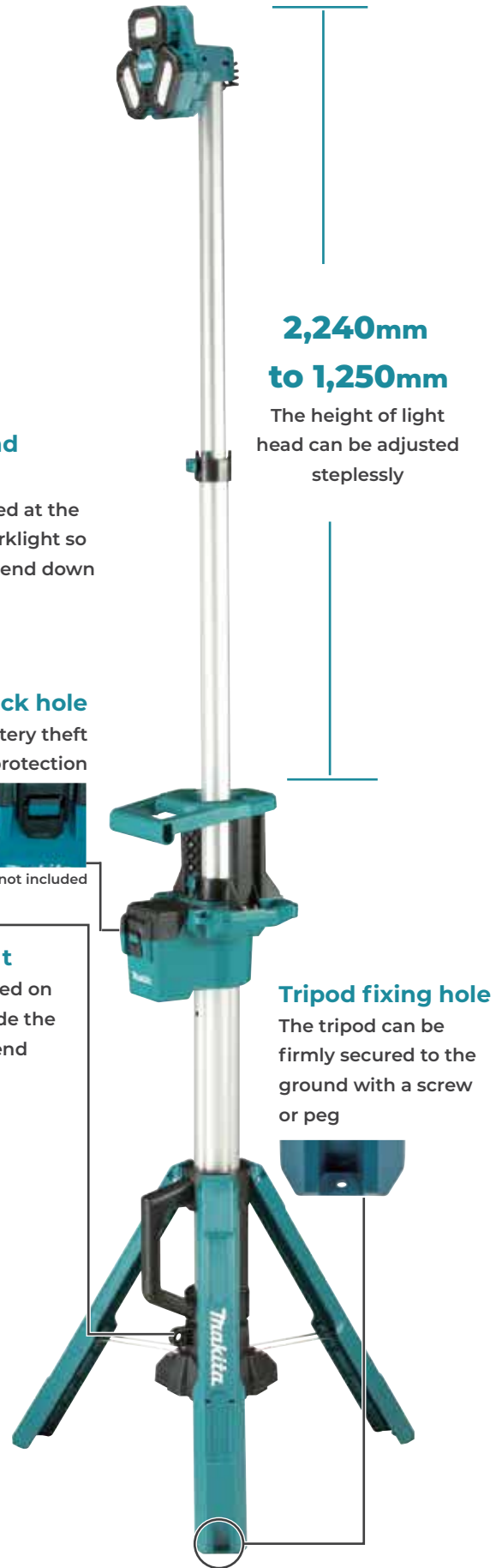
High	Medium	Low
3,000 lm	1700 lm	900 lm

SPECIFICATIONS

Illuminance (High / Mid / Low)	at 1m from the light source: 1,250 / 750 / 400 lx
	at 3m from the light source: 130 / 80 / 40 lx
	at 5m from the light source: 50 / 30 / 15 lx
Luminous Flux	High / Mid / Low: 3,000 / 1,700 / 900 lm
Dimensions (L x W x H)	Folding Position: 260x216x1,000 mm
	Operating Position (Max Height): 573x658x1,250-2,240 mm
Net weight	7.9 kg

Standard Equipment: Shoulder Belt (PART # TD00000002)

Variants	Battery	Charger	Carry Case
DML814-Z	NO	NO	Tool Bag



2,240mm to 1,250mm

The height of light head can be adjusted steplessly



MAKITA GULF FZE

www.makita.ae