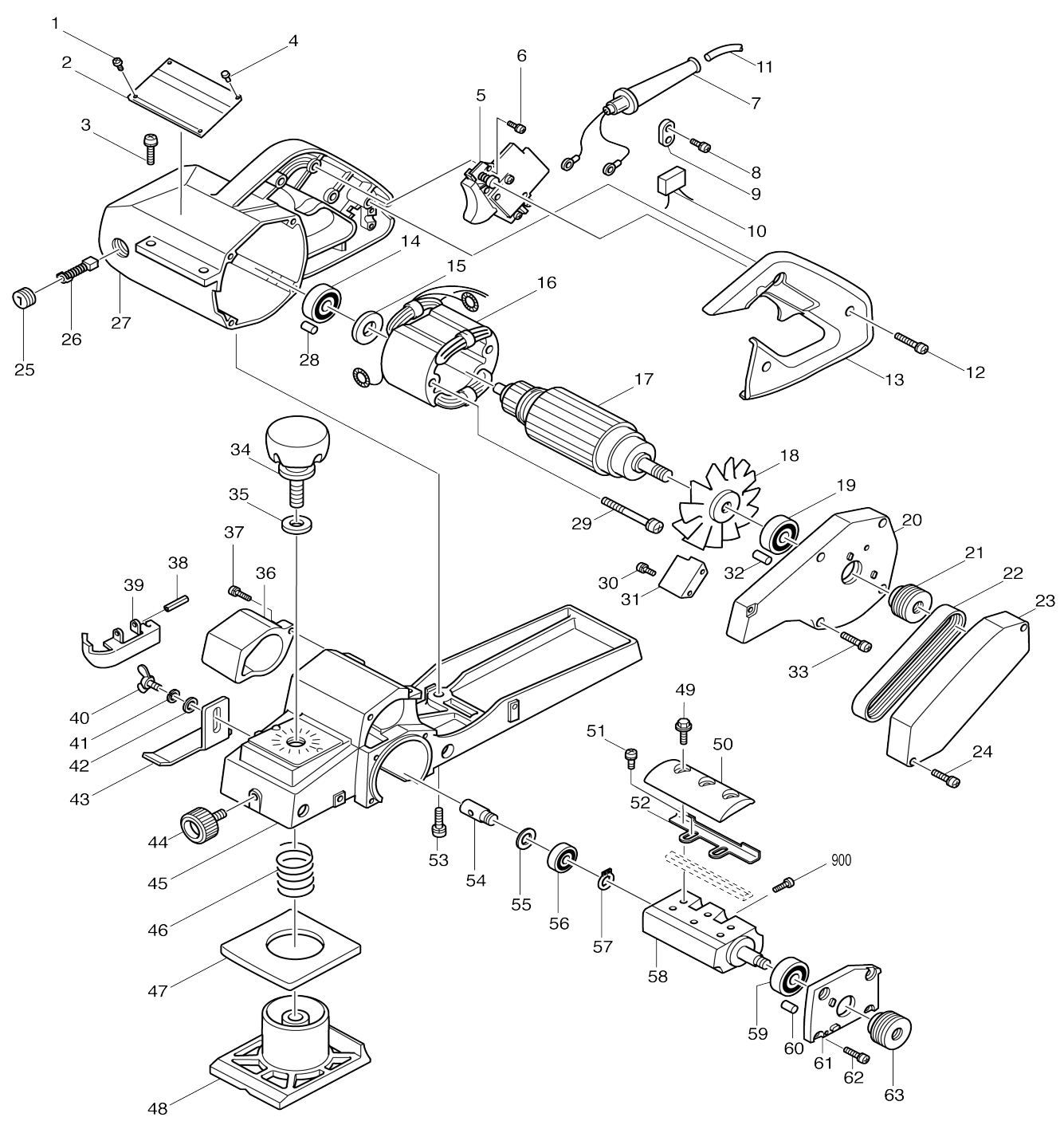


Model No.1100 POWER PLANER 82MM



Model No.1100 POWER PLANER 82MM

Item No.	Parts No.	Description	Interchangability	Q'ty	New/Old	Note1	Note2
001	911001-2	PAN HEAD SCREW M3X6		2			
002	811751-8	NAME PLATE 1100		1			
003	911228-4	PAN HEAD SCREW M5X18		2			
004	953106-2	RIVET 0-5		2			
005I_	651023-7	SWITCH HPAH2-2S		1	*		
005I1	651034-2	SWITCH HPAHC-2-25S	X	1			
006-1	911101-8	PAN HEAD SCREW M4X6		1			
007B1	682516-3	CORD GUARD 9.3-85		1	*		
007B2	682504-0	CORD GUARD 10-85	O	1			
008-1	911133-5	PAN HEAD SCREW M4X18		2			
009C_	687052-4	STRAIN RELIEF		1			
010A_	645105-5	NOISE SUPPRESSOR		1			
011X_	665883-1	POWER SUPPLY CORD 1.0-2-5.0		1			
012	911153-9	PAN HEAD SCREW M4X28		3			
013D_	415435-6	HANDLE COVER		1	*		
013D1	411632-2	HANDLE COVER	X	1			
014	211068-3	BALL BEARING 6200LB		1			
015-1	681623-9	INSULATION WASHER		1			
016L_	528370-0	FIELD ASS'Y 220V		1			
C10	654019-7	RING TERMINAL		2			
C20	654501-6	CONNECTOR P-1.25		2			
017C1	513398-1	ARMATURE ASS'Y 220V		1			
D10		INC. 14,15,18,19					
018	241001-1	FAN 80		1			
019	211066-7	BALL BEARING 6200LLB		1			
020	152191-4	BRACKET COMPLETE		1	*		
D10		INC. 32					
020-1	312246-9	BRACKET	O	1	*		
020-2	312F92-6	BRACKET	O	1			
021	222002-8	V-PULLEY 5-26.5L		1			
022	225001-9	POLY V-BELT 5-285		1			
023	411004-1	BELT COVER		1	*		
023-1	411004-1	BELT COVER	O	1			
024	911148-2	PAN HEAD SCREW M4X25		2			
025	643600-9	BRUSH HOLDER CAP 6-10		2			
026C_	181030-1	CARBON BRUSH CB-100		1			
027-1	159529-4	MOTOR HOUSING		1			
C10	643603-3	BRUSH HOLDER 6-10		2	*		
C11	643609-1	BRUSH HOLDER 6-10	O	2			
D10		INC. 28					
028-1	263013-4	RUBBER PIN 4		1			
029-1	911290-9	PAN HEAD SCREW M5X65		2			
030	911101-8	PAN HEAD SCREW M4X6		2			
031	342148-5	BAFFLE COVER		1			
032	263002-9	RUBBER PIN 4		1	*		
033	911146-6	PAN HEAD SCREW M4X25		5			
034	271226-3	KNOB 50		1			

035	941251-5	FLAT WASHER 10		1		
036C_	415452-6	CHIP COVER		1		
037-1	911138-5	P.H.SCREW M4X20 WITH WR		1		
038	951131-7	SPRING PIN 4-40		1		
039A_	343849-8	DRUM COVER		1		
040	924206-5	WING BOLT M5X10		1		
041	942101-7	SPRING WASHER 5		1		
042	941101-4	FLAT WASHER 5		1		
043	342001-5	DEPTH GUIDE		1		
044	251804-5	SCREW M6X13		1		
045	156510-6	MAIN FRAME		1	*	
C11	816333-1	SCALE LABEL		1	*	
045-1	141W87-2	MAIN FRAME	O	1		
C11	816333-1	SCALE LABEL		1		
046	231001-9	COMPRESSION SPRING 17		1		
047	421001-9	RUBBER PACKING		1		
048	312002-7	FRONT BASE		1	*	
048-1	312F88-7	FRONT BASE	O	1		
049	251609-3	HEX. FLANGE HEAD BOLT M6X17		6		
050	345001-4	DRUM PLATE		1	*	
050-1	187676-1	DRUM PLATE SET	O	1		
051	251246-3	+ PAN HEAD SCREW M4X5		4		
052	342430-2	ADJUST PLATE		2	*	
052-1	345644-2	ADJUST PLATE	<	2		
053	911226-8	PAN HEAD SCREW M5X18		2	*	
053-1	911228-4	PAN HEAD SCREW M5X18	O	2		
054	323001-4	DRUM REAR SHAFT		1		
055	253139-0	FLAT WASHER 8		1		
056-2	211032-4	BALL BEARING 608ZZ		1	*	
056-3	210223-4	BALL BEARING 608ZZ	O	1		
057	961004-6	RETAINING RING (EXT) S-8		1		
058	161048-8	DRUM		1		
059	211107-9	BALL BEARING 6201ZZ		1		
060	263005-3	RUBBER PIN 6		1		
061	157022-2	DRUM HOUSING		1	*	
D10		INC. 60				
061-1	141W89-8	DRUM HOUSING	O	1		
D10		INC. 60				
062	911121-2	PAN HEAD SCREW M4X14		4		
063	222001-0	V-PULLEY 5-29.4		1		
404	161046-2	GUIDE RULE		1		
406	411086-3	GAUGE PLATE		1		
407	911228-4	PAN HEAD SCREW M5X18		2		
408	123062-2	BLADE GAUGE ASS'Y		1		
D10		INC. 406,407				
410	782209-3	SOCKET WRENCH 9		1		
411B_	181790-5	STEEL CARRYING CASE		1	*	
411B1	181790-5	STEEL CARRYING CASE	O	1		
412B_	793322-2	T.C.T. MINI PLANER BLADE 82		1	*	
412B1	A-82921	T.C.T. MINI PLANER BLADE	<	1	*	
412B2	D-07945	82MM TCT MINI PLANER BLADE	O	1		

902-1	231600-7	TORSION SPRING 4		1		
905	343433-9	SET PLATE F/MINI BLADE		2		
F09	193540-6	SET PLATE 82 SET		1		

Please state Parts No. when your order.

Print Date 02/16/2024