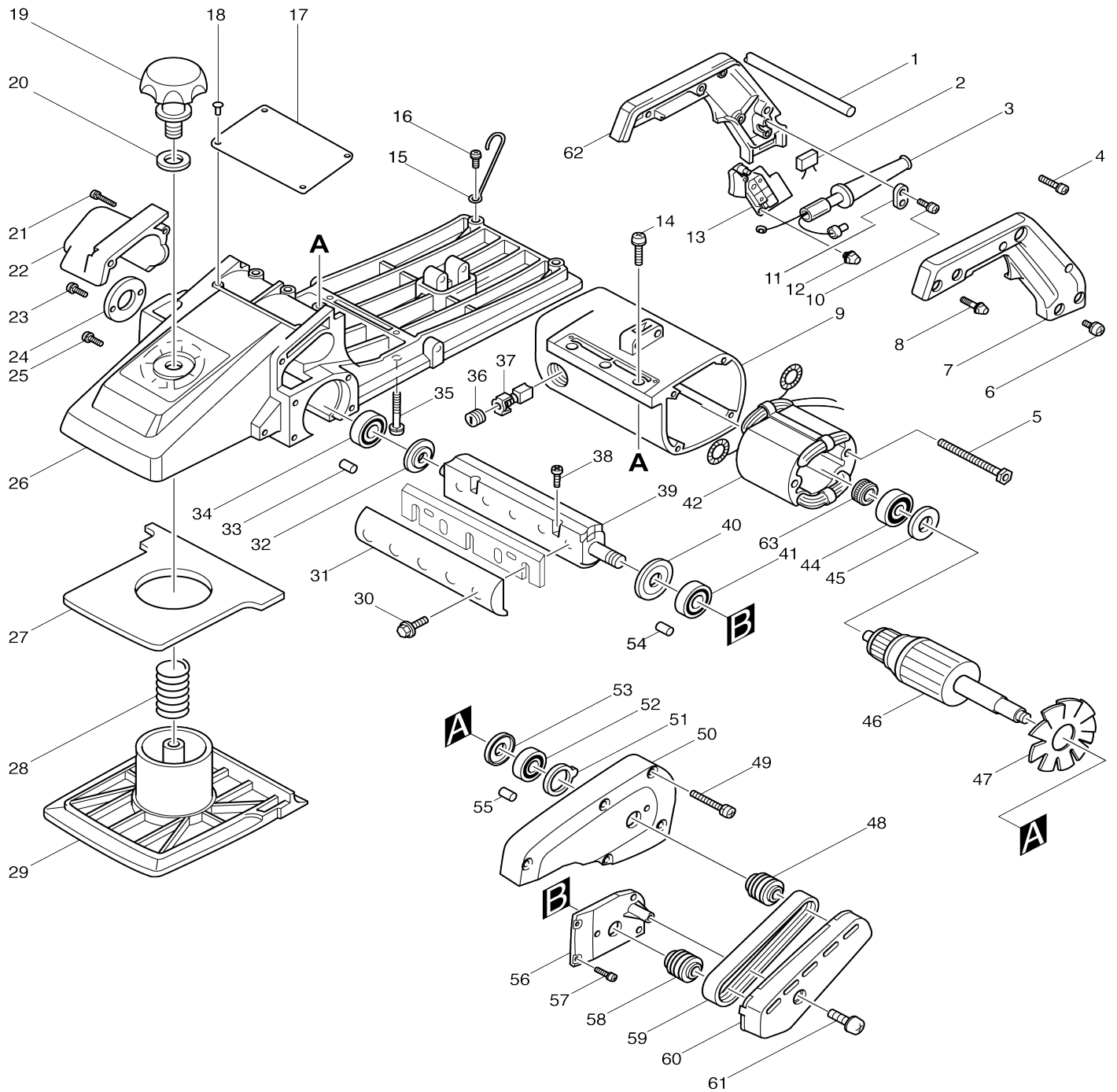


Model No.1806B POWER PLANER 170MM



Model No.1806B POWER PLANER 170MM

Item No.	Parts No.	Description	Interchangeability	Q'ty	New/Old	Note1	Note2
001W	665883-1	POWER SUPPLY CORD 1.0-2-5.0		1			
002C_	645105-5	NOISE SUPPRESSOR		1			
003B_	682540-6	CORD GUARD 9.3-90		1	*		
003B1	682505-8	CORD GUARD 10-90	O	1			
004	911158-9	PAN HEAD SCREW M4X30		2			
005-1	911300-2	PAN HEAD SCREW M5X75		2			
006	911213-7	PAN HEAD SCREW M5X12		4			
007	181151-9	HANDLE SET		1			
D10		INC. 62					
008	911253-5	PAN HEAD SCREW M5X30		2			
009	156414-2	MOTOR HOUSING		1	*		
C10	643653-8	BRUSH HOLDER 6.5-13.5		2	*		
C20	913206-0	SET SCREW M5X8		2	*		
009-1	156414-2	MOTOR HOUSING	O	1			
C10	643653-8	BRUSH HOLDER 6.5-13.5		2			
010-1	911133-5	PAN HEAD SCREW M4X18		2			
011C_	687031-2	STRAIN RELIEF		1			
012	911103-4	PAN HEAD SCREW M4X6		2			
013B_	651028-7	SWITCH HPAH2-3S		1	*		
013B1	651045-7	SWITCH HPAHC2-3S5	X	1			
014	911228-4	PAN HEAD SCREW M5X18		3			
015	281007-7	HOLDER		1			
016	911324-8	PAN HEAD SCREW M6X16		1			
017	854895-1	NAME PLATE 1806B		1			
018	953106-2	RIVET 0-5		4			
019	271249-1	KNOB 64		1			
020	253004-3	FLAT WASHER 13		1			
021	911158-9	PAN HEAD SCREW M4X30		2			
022B_	316966-7	CHIP COVER		1	*		
022B1	414499-7	NOZZLE	<	1			
023	911206-4	PAN HEAD SCREW M5X10		2			
024	285011-8	BEARING COVER 38		1	*		
024-1	285004-5	BEARING COVER 38	X	1	*		
024-2	285022-3	BEARING COVER 38	O	1			
025-1	911206-4	PAN HEAD SCREW M5X10		2			
026	157163-4	MAIN FRAME		1	*		
C10	816405-2	SCALE PLATE		1	*		
C11	816366-6	SCALE LABEL	S	1	*		
C20	953106-2	RIVET 0-5		4	*		
026-1	159943-4	MAIN FRAME COMPLETE	O	1			
C11	816366-6	SCALE LABEL	S	1			
027	423094-2	RUBBER PACKING		1			
028	231233-8	COMPRESSION SPRING 24		1			
029	315575-9	FRONT BASE		1	*		
029-1	316917-0	FRONT BASE	O	1			
030-1	265322-7	HEX. SOCKET HEAD BOLT M6X18		10	*		
030-2	265484-1	H.S.BUTTON HEAD SCREW M6X1	X	10			

		7				
031	342604-5	DRUM PLATE (2PCS/SET)		1	*	
031-1	344466-7	DRUM PLATE	X	1	*	
031-2	187675-3	DRUM PLATE SET	O	1		
032	341376-9	WASHER 10		1		
034	211067-5	BALL BEARING 6200ZZ		1		
035	911256-9	PAN HEAD SCREW M5X35		2		
036	643650-4	BRUSH HOLDER CAP 6.5-13.5		2	*	
036-1	643650-4	BRUSH HOLDER CAP 6.5-13.5	O	2		
037-1	181044-0	CARBON BRUSH CB-153		1	*	
037-2	194985-1	CARBON BRUSH SET CB-153	O	1		
038	251212-0	+ FLAT HEAD SCREW M5X13		4		
039	161092-5	DRUM		1	*	
039-1	161132-9	DRUM	X	1		
040	341377-7	WASHER 12		1		
041	211107-9	BALL BEARING 6201ZZ		1		
042B_	523025-2	FIELD ASS'Y 220V		1		
C10	654020-2	RING TERMINAL		2		
C20	654502-4	CONNECTOR P-2		2		
044-1	211063-3	BALL BEARING 6000LB		1	*	
044-2	211061-7	BALL BEARING 6000LLB	O	1		
045-1	681624-7	INSULATION WASHER		1	*	
045-2	681635-2	INSULATION WASHER	X	1		
046B1	513388-4	ARMATURE ASS'Y 220V		1	*	
D10		INC. 44,45,47,52,53				
046B2	513388-4	ARMATURE ASS'Y 220V	O	1		
D10		INC. 44,45,47,52,53				
047	241013-4	FAN 80		1		
048	222007-8	V-PULLEY 6-23L		1		
049	911263-2	PAN HEAD SCREW M5X40		5		
050	152214-8	BRACKET COMPLETE		1		
D10		INC. 55				
051	341384-0	WASHER 26		1		
052	211106-1	BALL BEARING 6201LLB		1		
053	213102-5	DUST SEAL 12		1		
054	263005-3	RUBBER PIN 6		1		
055	263005-3	RUBBER PIN 6		1		
056	157024-8	DRUM HOUSING		1	*	
D10		INC. 54				
056-1	159942-6	DRUM HOUSING COMPLETE	O	1		
D10		INC. 54				
057	911121-2	PAN HEAD SCREW M4X14		4		
058	222006-0	V-PULLEY 6-30		1		
059	225042-5	POLY V-BELT 6-304		1		
060	343301-6	BELT COVER		1	*	
060-1	347B54-1	BELT COVER	O	1		
061	911206-4	PAN HEAD SCREW M5X10		1		
062	181151-9	HANDLE SET		1		
D10		INC. 7				
063	421417-8	RUBBER RING 26		1	*	
063-1	421490-8	RUBBER RING 26	S	1		
400	762001-3	TRIANGULAR RULE		1		

401	934201-7	WING NUT M5		2			
402	123053-3	GUIDE RULE ASS'Y		1			
D10		INC. 401,403					
403	923211-9	CAP SQUARE NECK BOLT M5X12		2			
404	793186-4	PLANER BLADE 170		1	*		
404-1	D-63666	HSS PLANER BLADE 170MM	<	1			
405-1	783202-0	HEX. WRENCH 4		1			
408	123006-2	SHARPENING HOLDER ASS'Y		1			
409A1	821134-4	WOODEN CARRYING CASE		1			
900-1	414499-7	NOZZLE		1			

Please state Parts No. when your order.

Print Date 12/11/2023