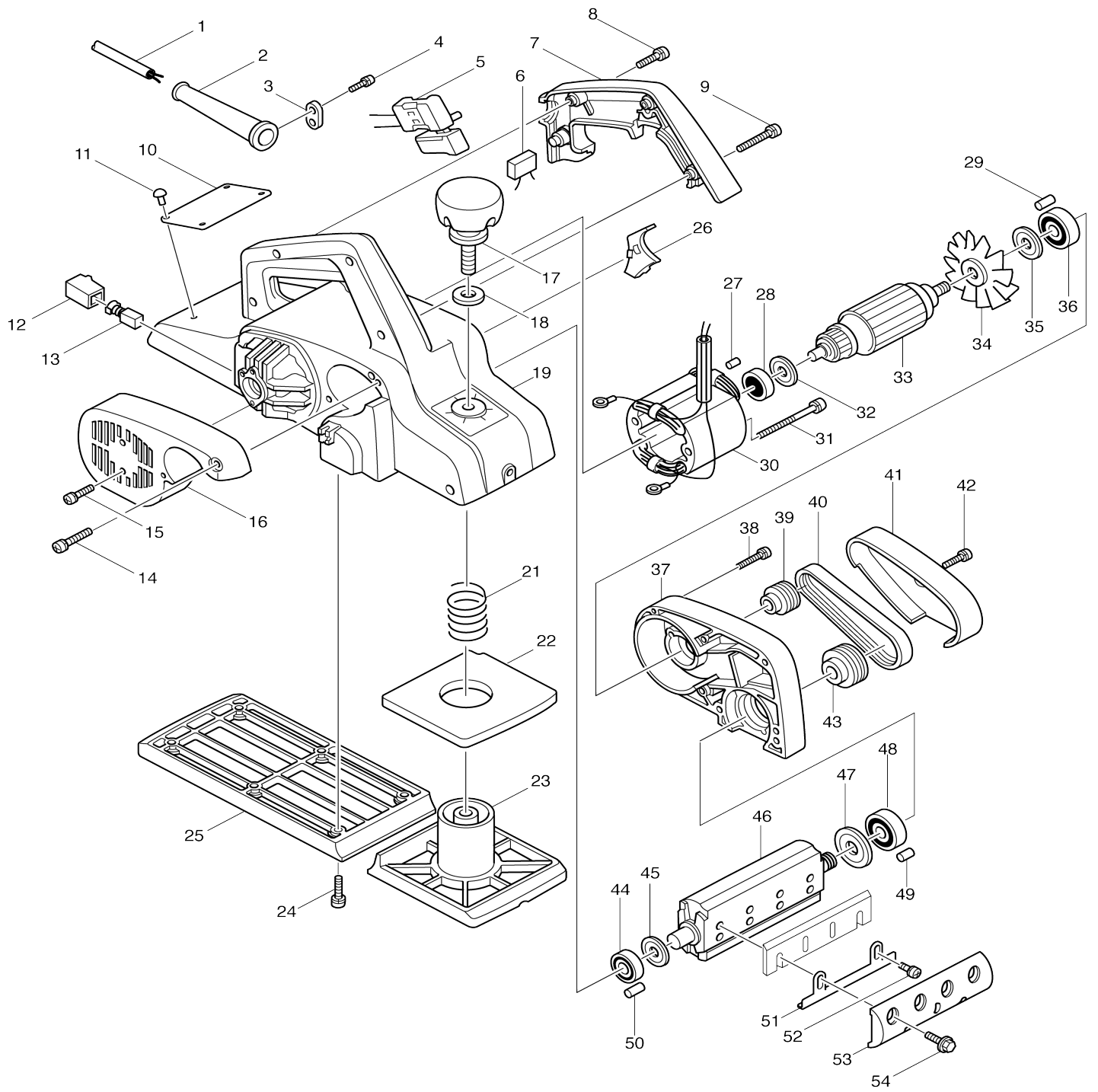


Model No.1911B POWER PLANER 110MM



Model No.1911B POWER PLANER 110MM

Item No.	Parts No.	Description	Interchangeability	Q'ty	New/Old	Note1	Note2
001P1	665883-1	POWER SUPPLY CORD 1.0-2-5.0		1			
002B_	682516-3	CORD GUARD 9.3-85		1	*		
002B1	682504-0	CORD GUARD 10-85	O	1			
003F_	687063-9	CORD CLAMP		1	*		
003F1	687052-4	STRAIN RELIEF	X	1			
004-1	911133-5	PAN HEAD SCREW M4X18		2			
005I_	651236-0	SWITCH C2M-M1T		1	*		
005I1	651252-2	SWITCH SGES215C	X	1			
006C1	645200-1	NOISE SUPPRESSOR		1			
007B1	414273-3	HANDLE COVER		1	*		
007B2	411423-1	HANDLE COVER	X	1	*		
007B3	414538-3	HANDLE COVER	O	1			
008	911168-6	PAN HEAD SCREW M4X40		1	*		
008-1	911153-9	PAN HEAD SCREW M4X28	X	3			
009-1	911153-9	PAN HEAD SCREW M4X28		3	*		
009-2	911168-6	PAN HEAD SCREW M4X40	X	1			
010	815099-0	NAME PLATE 1911B		1	*		
010-1	853285-5	NAME PLATE	<	1			
011	953106-2	RIVET 0-5		4	*		
012	643601-7	BRUSH HOLDER 6-10		2			
013-1	181410-1	CARBON BRUSH CB-106		1	*		
013-2	194976-2	CARBON BRUSH SET CB-106	O	1			
014A_	911188-0	PAN HEAD SCREW M4X60		1			
015A_	911113-1	PAN HEAD SCREW M4X10 WITH WR		2			
016B_	155710-5	REAR COVER COMPLETE		1	*		
C10	817768-9	CAUTION LABEL		1	*		
016B1	410438-5	REAR COVER	X	1			
017	271226-3	KNOB 50		1			
018	941251-5	FLAT WASHER 10		1			
019D_	159652-5	FRAME COMPLETE		1	*		
C10	816406-0	SCALE PLATE		1	*		
C20	953106-2	RIVET 0-5		4	*		
D10		INC. 27,50					
019D1	159652-5	FRAME COMPLETE	O	1			
C10	816381-0	SCALE LABEL		1			
021	231004-3	COMPRESSION SPRING 18		1			
022	421147-1	RUBBER PACKING		1			
023	312951-8	FRONT BASE		1			
024	911231-5	PAN HEAD SCREW M5X20		6	*		
024-1	911226-8	PAN HEAD SCREW M5X18	O	6			
025	312952-6	REAR BASE		1			
026	411428-1	BAFFLE PLATE		1			
027-1	263014-2	RUBBER PIN 4		1	*		
028	211031-6	BALL BEARING 608LLB		1			
029	263002-9	RUBBER PIN 4		1			
030C_	522418-0	FIELD ASS'Y 220V		1	*		

C10	654038-3	INSULATED TERMINAL FT1.25-M 4		2	*		
030C1	599024-6	FIELD ASS'Y 220V	<	1			
C10	654038-3	INSULATED TERMINAL FT1.25-M 4		2	*		
C11	654037-5	INSULATED TERM. FT1.25-M3		2	*		
031-1	911290-9	PAN HEAD SCREW M5X65		2	*		
031-2	911295-9	PAN HEAD SCREW M5X70	X	2			
032-1	681613-2	INSULATION WASHER		1			
033C1	516083-5	ARMATURE ASS'Y 220V		1			
D10		INC. 28,32,34,35,36					
034-1	241519-2	FAN 68		1			
035	213051-6	DUST SEAL 10		1			
036	211066-7	BALL BEARING 6200LLB		1			
037-1	152362-3	BRACKET		1			
D10		INC. 29,49					
038	911158-9	PAN HEAD SCREW M4X30		6			
039	222050-7	V-PULLEY 4-24L		1			
040-1	225069-5	POLY V-BELT 4-272		1			
041	411426-5	BELT COVER		1			
042-1	911123-8	PAN HEAD SCREW M4X14		1			
043	222063-8	V-PULLEY 4-38		1			
044	211062-5	BALL BEARING 6000ZZ		1			
045	341389-0	WASHER 10		1			
046	161078-9	DRUM		1	*		
046-1	161119-1	DRUM	S	1			
047	341377-7	WASHER 12		1			
048	211107-9	BALL BEARING 6201ZZ		1			
049	263005-3	RUBBER PIN 6		1			
050	263002-9	RUBBER PIN 4		1	*		
051	345157-3	BLADE HOLDER		2	*		
051-1	341601-8	ADJUSTING PLATE	S	2			
052	911106-8	PAN HEAD SCREW M4X8		4	*		
052-1	251246-3	+ PAN HEAD SCREW M4X5	S	4			
053	345156-5	DRUM PLATE		1	*		
053-1	344442-1	DRUM PLATE	O	1	*		
053-2	187674-5	DRUM PLATE SET	O	1			
054	251609-3	HEX. FLANGE HEAD BOLT M6X17		8			
055	232065-6	LEAF SPRING		2	*		
056	321346-4	PIN		2	*		
057	961017-7	STOP RING E-3		1	*		
058	321347-2	STOPPER PIN		1	*		
059	231303-3	COMPRESSION SPRING 5		1	*		
060	256714-1	PIN 2		1	*		
061	252415-9	NUT N4-12		1	*		
062	410329-0	SUB CHIP COVER		1			
063	911153-9	PAN HEAD SCREW M4X28		1			
066	267012-8	FLAT WASHER 5		2			
400	123055-9	SHARPENING HOLDER ASS'Y		1			
C10	934301-3	WING NUT M6		2			
C20	251920-3	CAP SQUARE NECK BOLT M6X30		2			
C30	341390-5	PRESSURE PLATE		1			

404	155270-7	CUTTER LEVELLER		1	*		
C10	817673-0	CAUTION LABEL		1	*		
404-1	123062-2	BLADE GAUGE ASS'Y	X	1			
C10	411086-3	GAUGE PLATE		1			
C20	911228-4	PAN HEAD SCREW M5X18		2			
405	782209-3	SOCKET WRENCH 9		1			
406	793008-8	PLANER BLADE 110		1	*		
406-1	D-71211	HSS PLANER BLADE 110MM	O	1			
407	192082-7	NOZZLE FOR VACUUM CLEANER		1			
C10	213601-7	O RING 50		1			
C20	410299-3	JOINT 55		1			
C30	414468-8	NOZZLE		1			
C40	911153-9	PAN HEAD SCREW M4X28		1			
C50	911188-0	PAN HEAD SCREW M4X60		1			
901	191455-1	GUIDE RULE SET		1	*		
901-1	165259-7	GUIDE RULE	S	1			
902	251812-6	SCREW M5X10		1			
914	819063-3	MAKITA LABEL		1			
F27	196300-5	DUST BAG SET		1			
408	821551-8	CONNECTOR PLASTIC CASE (TYP E3)		1			
C10	453974-8	LATCH		4			
409	837878-6	INNER TRAY		1			
410	803F07-9	1911BJ INDICATION LABEL		1			
411	803F08-7	1911BJ PLASTIC CASE LABEL		2			

Please state Parts No. when your order.

Print Date 10/05/2023