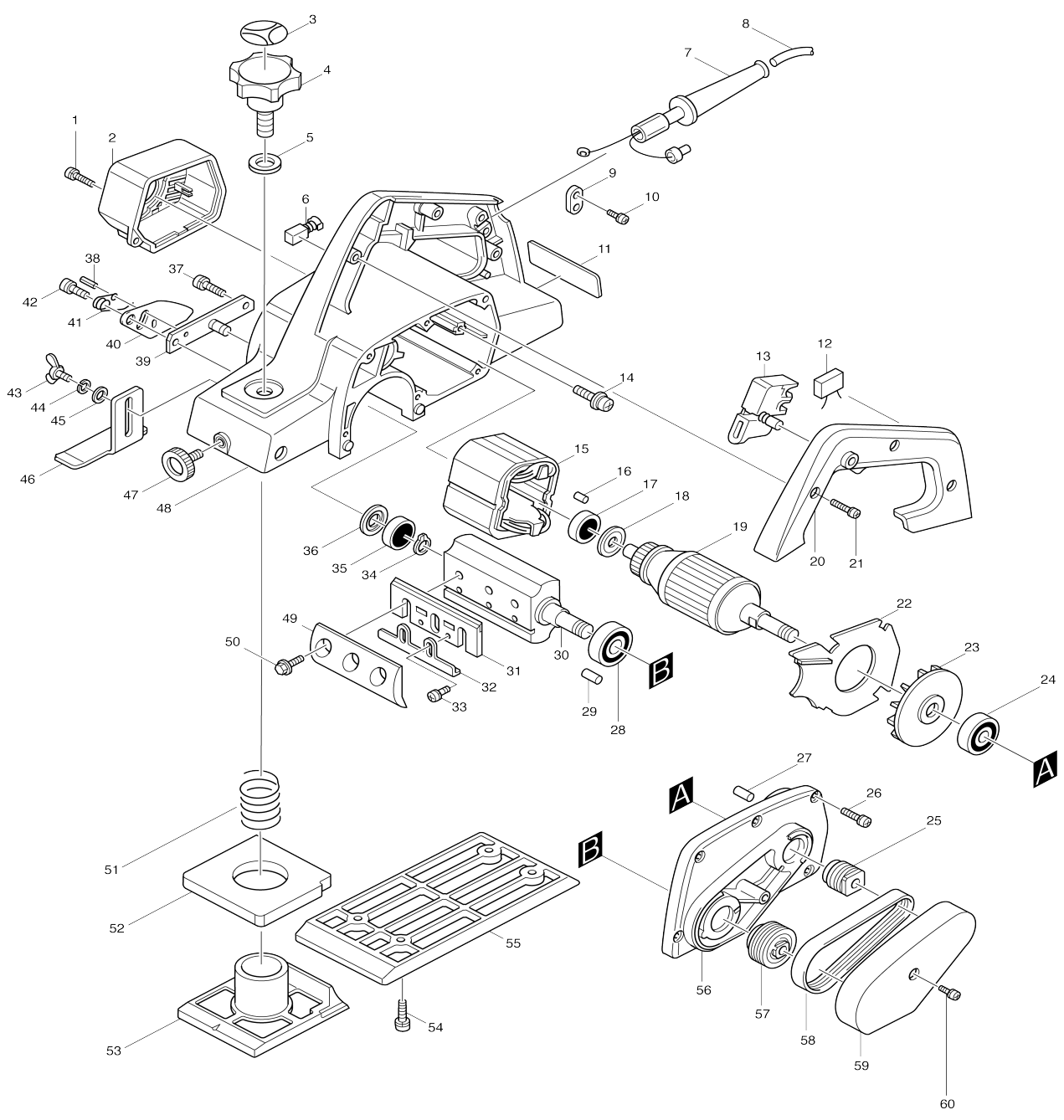


Model No.1923H POWER PLANER 82MM



Model No.1923H POWER PLANER 82MM

Item No.	Parts No.	Description	Interchangability	Q'ty	New/Old	Note1	Note2
001-1	911123-8	PAN HEAD SCREW M4X14		2			
002	410828-2	REAR COVER		1			
003	816601-2	SCALE LABEL		1			
004	271231-0	KNOB 46		1			
005	941251-5	FLAT WASHER 10		1			
006	191906-4	CARBON BRUSH CB-115		1	*		
006-1	191972-1	CARBON BRUSH CB-132	O	1	*		
006-2	194984-3	CARBON BRUSH SET CB-132	O	1			
007B_	682516-3	CORD GUARD 9.3-85		1	*		
007B1	682504-0	CORD GUARD 10-85	O	1			
008V_	665890-4	POWER SUPPLY CORD 1.0-2-4.0		1			
009D_	687031-2	STRAIN RELIEF		1			
010-1	911133-5	PAN HEAD SCREW M4X18		2			
011	855640-7	NAME PLATE 1923H		1			
012A_	645200-1	NOISE SUPPRESSOR		1			
013B1	651236-0	SWITCH C2M-M1T		1	*		
013B2	651252-2	SWITCH SGE215C	X	1			
014	911224-2	PAN HEAD SCREW M5X16		2			
015C1	594048-7	FIELD ASS'Y 220V		1			
C10	654069-2	RECEPTACLE		2			
C20	649094-6	TERMINAL BASE		1			
016	263014-2	RUBBER PIN 4		1			
017	211031-6	BALL BEARING 608LLB		1			
018	681613-2	INSULATION WASHER		1			
019C_	512898-8	ARMATURE ASS'Y 220V		1			
D10		INC. 17,18					
020A_	410881-8	HANDLE COVER		1	*		
020A1	410830-5	HANDLE COVER	X	1			
021	911158-9	PAN HEAD SCREW M4X30		3			
022	410827-4	BAFFLE PLATE		1			
023	241836-0	FAN 65		1			
024	211066-7	BALL BEARING 6200LLB		1			
025	222008-6	V-PULLEY 4-20L		1	*		
025-1	222125-2	V-PULLEY 4-20L	O	1			
026-3	911148-2	PAN HEAD SCREW M4X25		6			
027	263002-9	RUBBER PIN 4		1			
028	211067-5	BALL BEARING 6200ZZ		1			
029	263002-9	RUBBER PIN 4		1			
030	161103-6	DRUM		1			
031A_	793322-2	T.C.T. MINI PLANER BLADE 82		1	*		
031A1	A-82921	T.C.T. MINI PLANER BLADE	<	1	*		
031A2	D-07945	82MM TCT MINI PLANER BLADE	O	1			
032	342430-2	ADJUST PLATE		2	*		
032-1	347027-2	ADJUST PLATE	O	2			
033	251246-3	+ PAN HEAD SCREW M4X5		4			
034	961003-8	RETAINING RING S-7		1			
035-2	211026-9	BALL BEARING 627LLB		1	*		

035-3	210025-8	BALL BEARING 627LLB	O	1			
036	285637-6	BEARING RETAINER 7-21		1			
037	911226-8	PAN HEAD SCREW M5X18		1			
038-1	951054-9	SPRING PIN 3-10		1	*		
039A_	165025-2	DRUM HOLDER		1	*		
039A1	140D75-2	DRUM HOLDER COMPLETE	S	1			
040A_	343948-6	DRUM COVER		1			
041	231504-3	TORSION SPRING 10		1			
042A_	265006-7	+ SCREW M5X25		1			
043	924206-5	WING BOLT M5X10		1			
044	942101-7	SPRING WASHER 5		1			
045	941101-4	FLAT WASHER 5		1			
046	342390-8	DEPTH GUIDE		1			
047	251812-6	SCREW M5X10		1			
048	157661-8	MAIN FRAME		1			
D10		INC. 16					
049	345001-4	DRUM PLATE		1	*		
049-1	187676-1	DRUM PLATE SET	O	1			
050	251609-3	HEX. FLANGE HEAD BOLT M6X17		6			
051	231004-3	COMPRESSION SPRING 18		1			
052	421007-7	RUBBER PACKING		1			
053	312024-7	FRONT BASE		1	*		
053-1	316587-5	FRONT BASE	O	1			
054-1	911226-8	PAN HEAD SCREW M5X18		4			
055	312023-9	BASE		1			
056-1	152371-2	BRACKET		1			
D10		INC. 27,29					
057	222009-4	V-PULLEY 4-37		1	*		
057-1	222126-0	V-PULLEY 4-37	O	1			
058-1	225071-8	POLY V-BELT 4-241		1			
059	410826-6	BELT COVER		1			
060-3	911133-5	PAN HEAD SCREW M4X18		1			
401	911228-4	PAN HEAD SCREW M5X18		2			
402	411086-3	GAUGE PLATE		1			
403	123062-2	BLADE GAUGE ASS'Y		1			
D10		INC. 401,402					
404A_	164432-6	GUIDE RULE		1	*		
404A1	165259-7	GUIDE RULE	O	1			
405	782209-3	SOCKET WRENCH 9		1			
903A1	343433-9	SET PLATE F/MINI BLADE		2			
913-2	192080-1	NOZZLE FOR VACUUM CLEANER		1			
915	253807-5	FLAT WASHER 5		1			
917	343947-8	SLIDE PLATE		1			
F32	193540-6	SET PLATE 82 SET		1			
406	824670-9	PLASTIC CARRYING CASE		1	*		
C10	417059-4	LATCH		2	*		
C20	418889-6	HANDLE		1	*		
406-1	824944-8	PLASTIC CARRYING CASE	<	1			
C10	417059-4	LATCH		2			
C20	418889-6	HANDLE		1			

Please state Parts No. when your order.

Print Date 10/05/2023