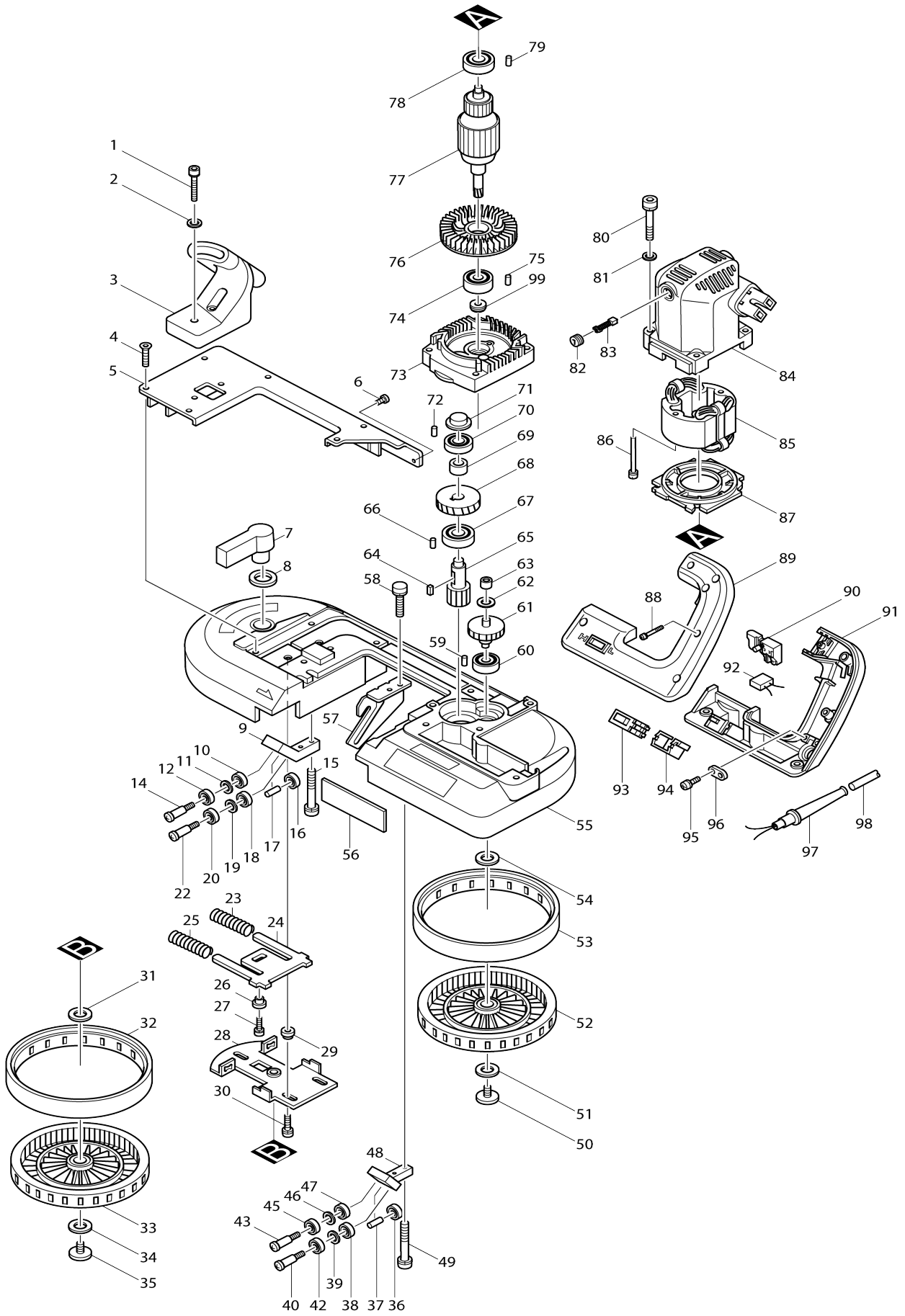
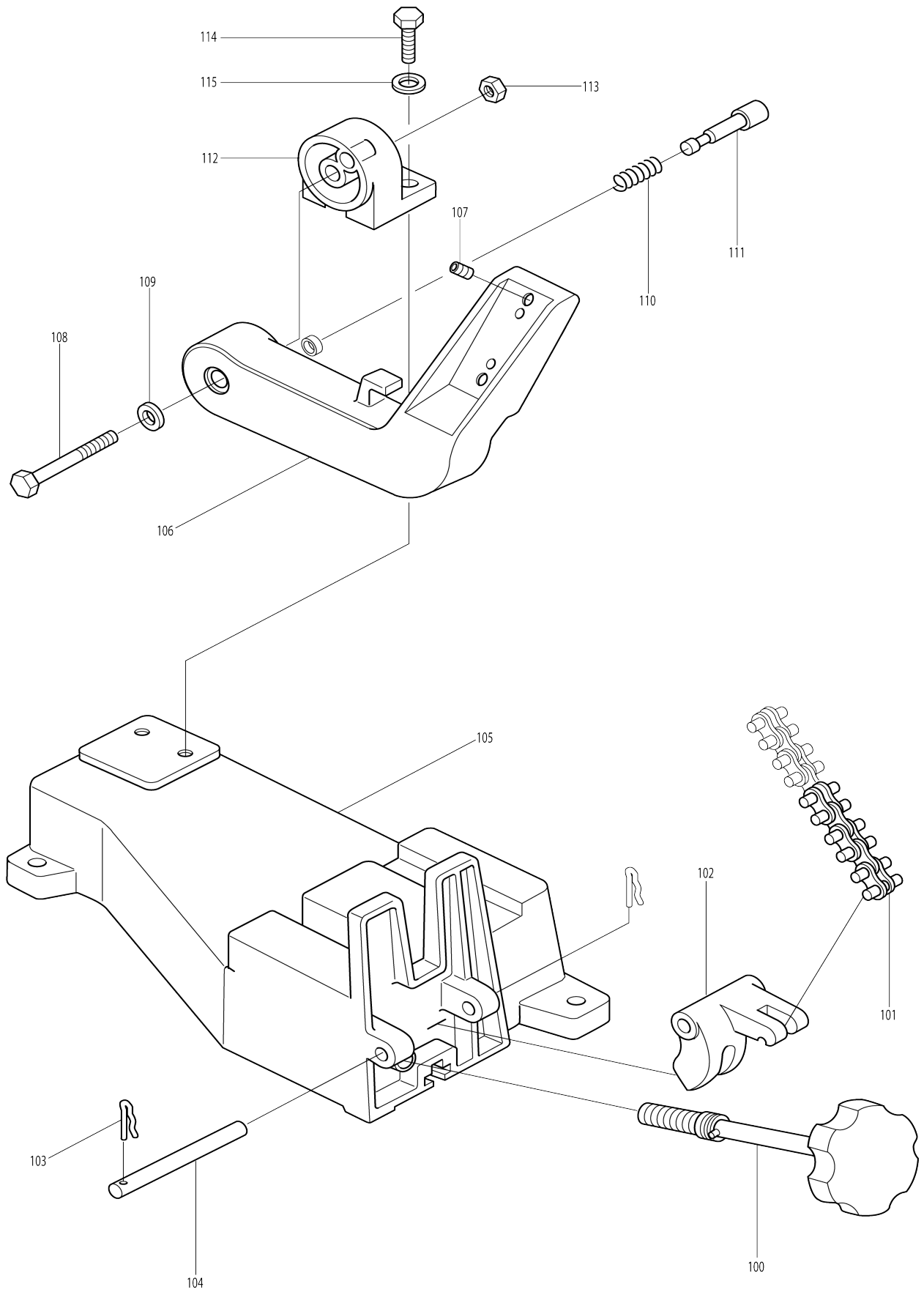


# Model No.2106 PORTABLE BAND SAW



# Model No.2106 PORTABLE BAND SAW



**Model No.2106 PORTABLE BAND SAW**

Item No.	Parts No.	Description	Interchangability	Q'ty	New/Old	Note1	Note2
001	922361-7	HEX. SOCKET HEAD BOLT M6X40		2			
002	941152-7	FLAT WASHER 6		2			
003	273624-7	GRIP 80		1			
004	265899-2	HEX. SOCKET HEAD BOLT M5X22		6			
005-1	164933-4	FRAME COVER		1			
006	251951-2	HEX. SOCKET C.S.H. SCREW M5X10		4			
007	272223-2	LEVER 60		1			
008	267041-1	FLAT WASHER 20		1			
009	316025-7	UPPER HOLDER		1			
010	210006-2	BALL BEARING 696ZZ		1			
011	941152-7	FLAT WASHER 6		1			
012	210006-2	BALL BEARING 696ZZ		1			
014	251337-0	+ PAN HEAD SCREW M5		1			
015	911248-8	PAN HEAD SCREW M5X28		2			
016	210006-2	BALL BEARING 696ZZ		1			
017	256033-5	PIN 6		1			
018	210006-2	BALL BEARING 696ZZ		1			
019	941152-7	FLAT WASHER 6		1			
020	210006-2	BALL BEARING 696ZZ		1			
022	251337-0	+ PAN HEAD SCREW M5		1			
023	231449-5	COMPRESSION SPRING 11		1			
024	343489-2	TENSION PLATE		1			
025	231449-5	COMPRESSION SPRING 11		1			
026	343494-9	SLEEVE 5		1			
027	911221-8	PAN HEAD SCREW M5X16		1			
028	163276-1	SLIDE PLATE		1			
029	343494-9	SLEEVE 5		3			
030	911244-6	PAN HEAD SCREW M5X25		3			
031	253749-3	FLAT WASHER 16		1			
032	421333-4	RUBBER TIRE		1			
033	152325-9	WHEEL COMPLETE		1			
C10	214209-0	PLANE BEARING 16		1			
034	253749-3	FLAT WASHER 16		1			
035	265900-3	HEX. SOCKET HEAD BOLT M6X12		1			
036	210006-2	BALL BEARING 696ZZ		1			
037	256033-5	PIN 6		1			
038	210006-2	BALL BEARING 696ZZ		1			
039	941152-7	FLAT WASHER 6		1			
040	251337-0	+ PAN HEAD SCREW M5		1			
042	210006-2	BALL BEARING 696ZZ		1			
043	251337-0	+ PAN HEAD SCREW M5		1			
045	210006-2	BALL BEARING 696ZZ		1			
046	941152-7	FLAT WASHER 6		1			
047	210006-2	BALL BEARING 696ZZ		1			
048	316026-5	LOWER HOLDER		1			
049	911248-8	PAN HEAD SCREW M5X28		2			
050	265900-3	HEX. SOCKET HEAD BOLT M6X12		1			

051	253749-3	FLAT WASHER 16		1		
052	152325-9	WHEEL COMPLETE		1		
C10	214209-0	PLANE BEARING 16		1		
053	421333-4	RUBBER TIRE		1		
054	253749-3	FLAT WASHER 16		1		
055-1	151323-0	FRAME COMPLETE		1		
C10	214304-6	PLANE BEARING 20		1		
C20	816212-3	INDICATIONAL LABEL		1		
C30	817950-0	CAUTION LABEL		1		
D10		INC. 59,66				
056	856050-1	NAME PLATE 2106		1		
057	343490-7	STOPPER PLATE		1		
058	922241-7	HEX. SOCKET HEAD BOLT M5X25		2		
059	263002-9	RUBBER PIN 4		1		
060	211034-0	BALL BEARING 608		1		
061	226080-0	GEAR COMPLETE 11-45		1		
062	253139-0	FLAT WASHER 8		1		
063	212004-2	NEEDLE BEARING 810		1		
064	254202-2	KEY 4		1		
065	221980-9	SPUR GEAR 9		1		
066	263005-3	RUBBER PIN 6		1		
067	211108-7	BALL BEARING 6201LB		1		
068	221765-3	HELICAL GEAR 42		1		
069	257619-8	SLEEVE 12		1		
070	211064-1	BALL BEARING 6000		1		
071	286028-4	CAP 26		1		
072	263002-9	RUBBER PIN 4		1		
073	157916-1	GEAR HOUSING COMPLETE		1		
D10		INC. 72,75				
074-1	211092-6	BALL BEARING 629DDW		1	*	
074-2	210078-7	BALL BEARING 629DDW	O	1	*	
074-3	211092-6	BALL BEARING 629DDW	O	1		
075	263002-9	RUBBER PIN 4		1		
076	241841-7	FAN 62		1		
077C1	512948-9	ARMATURE ASS'Y 220V		1	*	
D10		INC. 74,76,78				
077C2	512948-9	ARMATURE ASS'Y 220V	O	1	*	
D10		INC. 74,76,78				
077C3	512948-9	ARMATURE ASS'Y 220V	O	1		
D10		INC. 74,76,78				
078	211033-2	BALL BEARING 608LB		1		
079	263002-9	RUBBER PIN 4		1		
080	922381-1	HEX. SOCKET HEAD BOLT M6X60		4		
081	941152-7	FLAT WASHER 6		4		
082	643600-9	BRUSH HOLDER CAP 6-10		2		
083B_	181030-1	CARBON BRUSH CB-100		1	*	
083B1	194974-6	CARBON BRUSH SET CB-100	O	1		
084	157915-3	MOTOR HOUSING COMPLETE		1		
C10	643603-3	BRUSH HOLDER 6-10		2	*	
C11	643609-1	BRUSH HOLDER 6-10	O	2		
D10		INC. 79				

085E_	527416-9	FIELD ASS'Y 220V		1		
C10	654019-7	RING TERMINAL		2		
C20	654501-6	CONNECTOR P-1.25		2		
086-1	911275-5	PAN HEAD SCREW M5X50		2		
087	414067-6	BAFFLE PLATE		1		
088	911248-8	PAN HEAD SCREW M5X28		5		
089	182034-6	HANDLE SET		1		
D10		INC. 91				
090A_	651235-2	SWITCH C2M-A1T		1	*	
090A1	651225-5	SWITCH SGEL215C	S	1		
091	182034-6	HANDLE SET		1		
D10		INC. 89				
092A_	645200-1	NOISE SUPPRESSOR		1		
093	651562-7	SWITCH SL210N-28		1		
094	421338-4	SWITCH PROTECTOR		1		
095	911133-5	PAN HEAD SCREW M4X18		2		
096C_	687031-2	STRAIN RELIEF		1		
097B_	682516-3	CORD GUARD 9.3-85		1	*	
097B1	682504-0	CORD GUARD 10-85	O	1		
098R_	665865-3	POWER SUPPLY CORD 1.0-2-2.5		1		
099	331328-8	SEAL		1		
100	151305-2	HANDLE COMPLETE		1		
C10	231448-7	COMPRESSION SPRING 13		1		
C20	253843-1	FLAT WASHER 12		2		
C30	951119-7	SPRING PIN 4-24		2		
C40	267074-6	FLAT WASHER 11		1		
101	225514-0	CHAIN 55-33		1		
102	311826-8	CHAIN HOOK		1		
103	259012-2	SNAP PIN 10		3		
104	256926-6	ROD 10-105		1		
105	311827-6	BASE		1	*	
105-1	311827-6	BASE	O	1		
106	150144-7	ARM COMPLETE		1		
C10	810608-0	CAUTION LABEL		1		
107	251966-9	H.S.SET SCREW(FLATPOINT)M10X 12		2		
108	265396-8	HEX. BOLT M10X76		1		
109	941252-3	FLAT WASHER 10		1		
110	231297-2	COMPRESSION SPRING 9		1		
111	322199-4	STOPPER PIN		1		
112	311909-4	BRACKET		1		
113	252130-5	HEX. LOCK NUT M10-17		1		
114	921451-3	HEX. BOLT M8X30		2		
115	941202-8	FLAT WASHER 8		2		
400	792559-8	BAND SAW BLADE 18 (C.STEEL)		1		
401	762001-3	TRIANGULAR RULE		1		
402	783209-6	HEX. WRENCH 4		1		
403	191897-9	CUTTING WAX		1		
405	783203-8	HEX. WRENCH 5		1		
F24-1	194692-6	BAND SAW BLADE 13-1140	<	0		
F41	192147-5	STEEL CARRYING CASE		0		
F42	194691-8	BAND SAW BLADE 13-1140		1		

Please state Parts No. when your order.

Print Date 10/25/2023