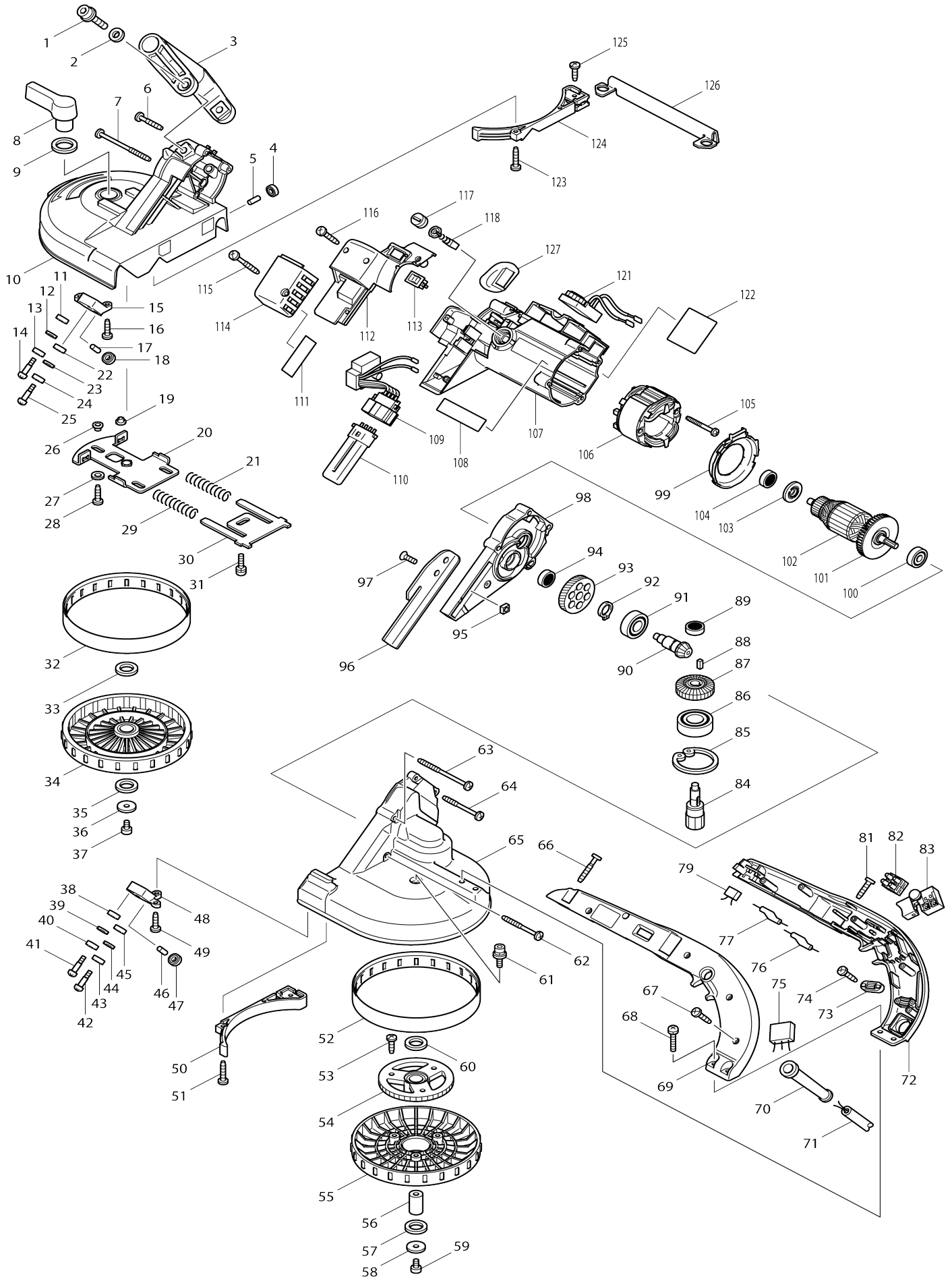


Model No.2107F PORTABLE BAND SAW



Model No.2107F PORTABLE BAND SAW

Item No.	Parts No.	Description	Interchangability	Q'ty	New/Old	Note1	Note2
001	922456-6	HEX. SOCKET HEAD BOLT M8X35		2	*		
001-1	922458-2	H.S.H.BOLT M8X35 WITH WR	S	2			
002	941202-8	FLAT WASHER 8		2	*		
003	273614-0	GRIP		1			
004	210033-9	BALL BEARING 696ZZ		1	*		
004-1	143517-1	BLADE GUIDE COMPLETE	S	1			
005	256033-5	PIN 6		1	*		
005-1	268225-4	PIN 5	S	1			
006	265999-8	TAPPING SCREW 4X25		2			
007	266147-2	TAPPING SCREW 4X55		2			
008	272223-2	LEVER 60		1			
009	267041-1	FLAT WASHER 20		1			
010	154482-9	FRONT WHEEL COVER COMPLETE		1	*		
C10	816212-3	INDICATIONAL LABEL		1	*		
010-1	154482-9	FRONT WHEEL COVER COMPLETE	O	1	*		
C10	816212-3	INDICATIONAL LABEL		1	*		
010-2	158702-3	FRONT WHEEL COVER COMPLETE	<	1			
C10	816212-3	INDICATIONAL LABEL		1			
011	210033-9	BALL BEARING 696ZZ		1			
012	941152-7	FLAT WASHER 6		1			
013	210033-9	BALL BEARING 696ZZ		1			
014	251337-0	+ PAN HEAD SCREW M5		1			
015	317824-0	UPPER HOLDER		1			
016	266034-5	TAPPING SCREW CT 4X16		2			
017	256033-5	PIN 6		1			
018	210033-9	BALL BEARING 696ZZ		1			
019	343494-9	SLEEVE 5		1			
020	163276-1	SLIDE PLATE		1			
021	231449-5	COMPRESSION SPRING 11		1			
022	210033-9	BALL BEARING 696ZZ		1			
023	941152-7	FLAT WASHER 6		1			
024	210033-9	BALL BEARING 696ZZ		1			
025	251337-0	+ PAN HEAD SCREW M5		1			
026	343494-9	SLEEVE 5		3			
027	941051-3	FLAT WASHER 4		3			
028	266034-5	TAPPING SCREW CT 4X16		3			
029	231449-5	COMPRESSION SPRING 11		1			
030	343489-2	TENSION PLATE		1			
031	911221-8	PAN HEAD SCREW M5X16		1			
032	421333-4	RUBBER TIRE		1			
033	253749-3	FLAT WASHER 16		1			
034	152325-9	WHEEL COMPLETE		1	*		
034-1	140B58-0	WHEEL COMPLETE	<	1			
035	253749-3	FLAT WASHER 16		1			
036	253010-8	FLAT WASHER 6		1			

037	922312-0	HEX. SOCKET HEAD BOLT M6X12		1		
038	210033-9	BALL BEARING 696ZZ		1		
039	941152-7	FLAT WASHER 6		1		
040	210033-9	BALL BEARING 696ZZ		1		
041	251337-0	+ PAN HEAD SCREW M5		1		
042	251337-0	+ PAN HEAD SCREW M5		1		
043	210033-9	BALL BEARING 696ZZ		1		
044	941152-7	FLAT WASHER 6		1		
045	210033-9	BALL BEARING 696ZZ		1		
046	256033-5	PIN 6		1		
047	210033-9	BALL BEARING 696ZZ		1		
048	317823-2	LOWER HOLDER		1		
049	266034-5	TAPPING SCREW CT 4X16		2		
050	418784-0	SAW GUARD HOLDER		1		
051	266042-6	TAPPING SCREW BIND CT 4X20		2		
052	421333-4	RUBBER TIRE		1		
053	266021-4	TAPPING SCREW 5X20		3		
054	154474-8	GEAR COMPLETE		1	*	
054-1	140140-3	GEAR COMPLETE	<	1		
055	418786-6	WHEEL		1	*	
055-1	419506-1	WHEEL	<	1		
056	324513-0	LOWER SHAFT		1		
057	253749-3	FLAT WASHER 16		1		
058	253010-8	FLAT WASHER 6		1		
059	922312-0	HEX. SOCKET HEAD BOLT M6X12		1		
060	253749-3	FLAT WASHER 16		1		
061	922323-5	HEX.SOCKET HEAD BOLT M6X16		1		
062	266203-8	TAPPING SCREW BIND CT 4X40		1		
063	266147-2	TAPPING SCREW 4X55		2		
064	266048-4	TAPPING SCREW 4X40		2		
065	317847-8	REAR WHEEL COVER		1	*	
065-1	317847-8	REAR WHEEL COVER	O	1		
066	265995-6	TAPPING SCREW 4X18		2		
067	265995-6	TAPPING SCREW 4X18		5		
068	911243-8	PAN HEAD SCREW M5X25		2		
069	183869-8	HANDLE SET		1		
D10		INC. 72				
070	682573-1	CORD GUARD 10		1		
071	665865-3	POWER SUPPLY CORD 1.0-2-2.5		1		
072	183869-8	HANDLE SET		1		
D10		INC. 69				
073	687052-4	STRAIN RELIEF		1		
074	265995-6	TAPPING SCREW 4X18		2		
075	645253-0	NOISE SUPPRESSOR		1		
076	646078-5	CHOKE COIL		1		
077	646137-5	CHOKE COIL		1		
079	645006-7	NOISE SUPPRESSOR		1		
081	266042-6	TAPPING SCREW BIND CT 4X20		2		
082	654531-7	TERMINAL BLOCK 2P		1		
083	651284-9	SWITCH SGEL115CDY-6		1		
084	227139-6	SPUR GEAR 8		1		
085	962203-3	RETAINING RING R-47		1		

086	211306-3	BALL BEARING 6204LLB		1			
087	227470-0	SPIRAL BEVEL GEAR 29		1			
088	254202-2	KEY 4		1			
089	211031-6	BALL BEARING 608LLB		1	*		
089-1	210029-0	BALL BEARING 608ZZ	O	1			
090	227481-5	SPIRAL BEVEL GEAR 11		1			
091	211206-7	BALL BEARING 6202LLB		1	*		
091-1	211241-5	BALL BEARING 6202DDW	O	1			
092	961055-9	RETAINING RING S-15		1			
093	226593-1	HELICAL GEAR 64		1			
094	211031-6	BALL BEARING 608LLB		1	*		
094-1	210029-0	BALL BEARING 608ZZ	O	1			
095	252157-5	SQUARE NUT M6		2			
096	345467-8	STOPPER PLATE		1			
097	251981-3	HEX. SOCKET HEAD BOLT M6X16		2			
098	154475-6	GEAR HOUSING COMPLETE		1			
099	418785-8	BAFFLE PLATE		1			
100	211092-6	BALL BEARING 629DDW		1	*		
100-1	210078-7	BALL BEARING 629DDW	O	1	*		
100-2	211092-6	BALL BEARING 629DDW	O	1			
101	241850-6	FAN 60		1			
102	513583-6	ARMATURE ASS'Y 220-240V		1	*		
D10		INC. 100,101,103,104					
102-1	513583-6	ARMATURE ASS'Y 220-240V	O	1	*		
D10		INC. 100,101,103,104					
102-2	513583-6	ARMATURE ASS'Y 220-240V	O	1			
D10		INC. 100,101,103,104					
103	681644-1	INSULATION WASHER		1			
104	211031-6	BALL BEARING 608LLB		1	*		
104-1	210029-0	BALL BEARING 608ZZ	O	1			
105	266056-5	TAPPING SCREW 5X45		2			
106	634518-5	FIELD 220-240V		1			
107	183941-6	MOTOR HOUSING SET		1	*		
C10	643708-9	BRUSH HOLDER 5-11		2	*		
D10		INC.108					
107-1	154472-2	MOTOR HOUSING COMPLETE	O	1			
C10	643708-9	BRUSH HOLDER 5-11		2			
108	819064-1	MAKITA MARK		1	*		
109	631641-7	LIGHT CIRCUIT		1			
110	193730-1	FLUORESCENT LIGHT SET		1	*		
110-1	193730-1	FLUORESCENT LIGHT SET	O	1	*		
110-2	193730-1	FLUORESCENT LIGHT SET	O	1			
111	418850-3	LENZ		1			
112	418782-4	LAMP COVER		1			
113	651514-8	SWITCH SLE6A		1			
114	418783-2	LAMP BOX		1			
115	266048-4	TAPPING SCREW 4X40		1			
116	265935-4	TAPPING SCREW 3X20		3			
117	643750-0	BRUSH HOLDER CAP 7-11		2	*		
117-1	643515-0	HOLDER CAP 7-11	O	2			
118	191963-2	CARBON BRUSH CB-303		1			

121	631639-4	CONTROLLER		1		
122	860922-4	NAME PLATE 2107F		1		
123	266042-6	TAPPING SCREW BIND CT 4X20		2		
124	418784-0	SAW GUARD HOLDER		1		
125	266034-5	TAPPING SCREW CT 4X16		1		
126	345468-6	SAW GUARD		1	*	
126-1	346669-9	SAW GUARD	<	1		
127	421885-5	CAP		1		
A01	410048-8	WRENCH HOLDER 3.4		1		
A02	792559-8	BAND SAW BLADE 18 (C.STEEL)		1		
A03	783202-0	HEX. WRENCH 4		1		
A04	824728-4	PLASTIC CARRYING CASE		1	*	
C10	163455-1	LATCH		2	*	
C20	418889-6	HANDLE		1	*	
C30	819140-1	MAKITA LOGO LABEL		1	*	
A04-1	824728-4	PLASTIC CARRYING CASE	O	1		
C10	163455-1	LATCH		2		
C20	419360-3	HANDLE		1		
C30	819140-1	MAKITA LOGO LABEL		1		
F01	191897-9	CUTTING WAX		1		
F05-1	196326-7	STAND CHAIN VISE SET	<	1		
F33-1	194692-6	BAND SAW BLADE 13-1140	<	1		
F36	194691-8	BAND SAW BLADE 13-1140		1		

Please state Parts No. when your order.

Print Date 10/05/2023