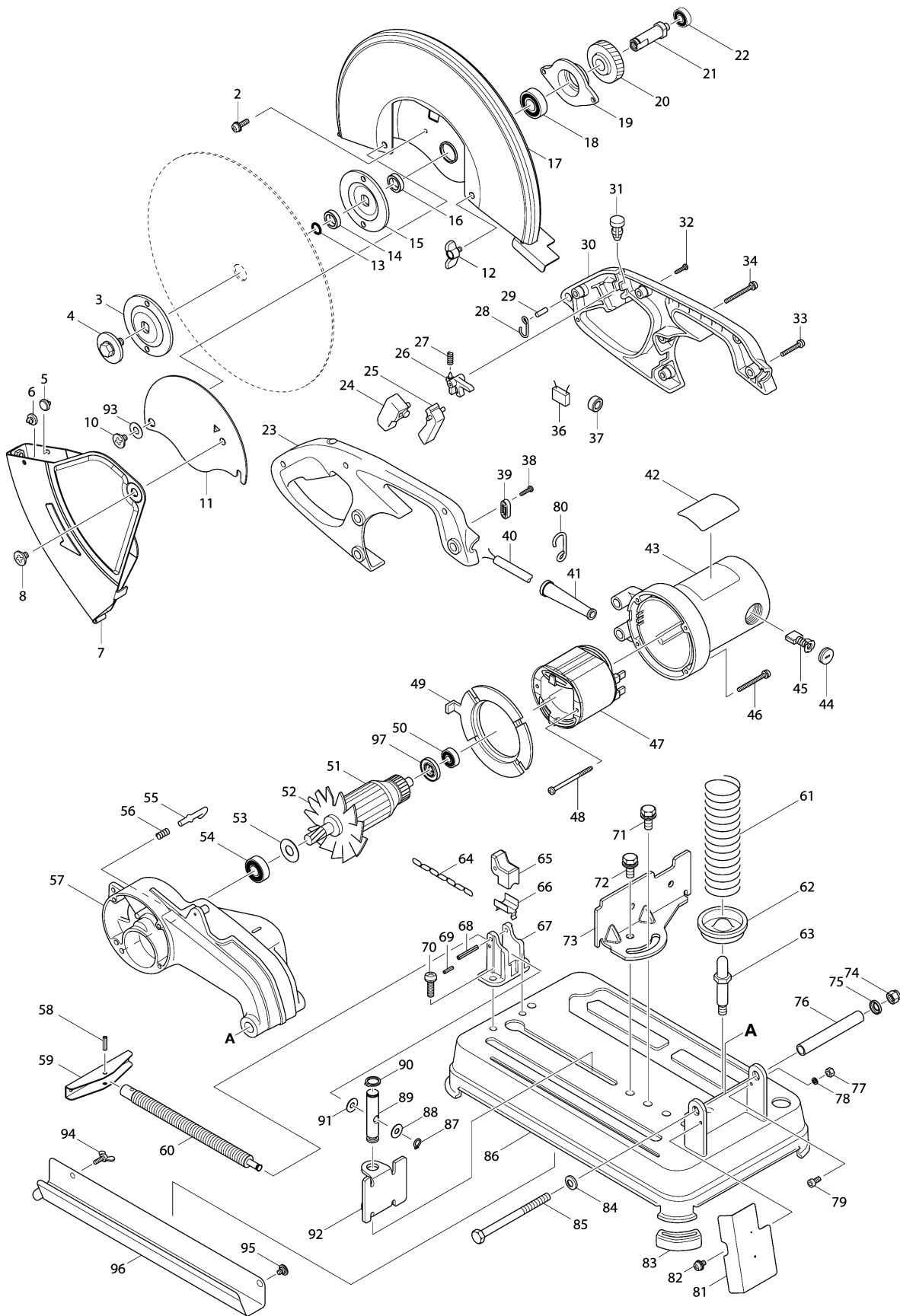


Model No.2414EN 355MM PORTABLE CUT-OFF



Model No.2414EN 355MM PORTABLE CUT-OFF

| Item | Parts No. | Description | I/C | Qty | New/Old | Opt. 1 | Opt. 2 | Note |
|-------|-----------|-----------------------|-----|-----|---------|--------|--------|------|
| 002 | 911333-7 | PAN HEAD SCREW M6X20 | | 4 | | | | |
| 003 | 224456-5 | FLANGE 90 | | 1 | | | | |
| 004 | 251680-7 | HEX. BOLT M10X25 | | 1 | | | | |
| 005 | 418142-0 | PLUG | | 1 | | | | |
| 006 | 418142-0 | PLUG | | 1 | | | | |
| 007 | 165710-7 | SAFETY GUIDE | | 1 | * | | | |
| 007-1 | 165710-7 | SAFETY GUIDE | O | 1 | | | | |
| 008 | 265121-7 | + FLAT HEAD SCREW M6 | | 1 | | | | |
| 010 | 265121-7 | + FLAT HEAD SCREW M6 | | 1 | | | | |
| 011 | 346639-8 | CENTER COVER | | 1 | | | | |
| 012 | 251887-5 | SCREW M6X10 | | 1 | | | | |
| 013 | 213162-7 | O RING 14 | | 1 | | | | |
| 014 | 257255-0 | RING 17 | | 1 | | | | |
| 015 | 224456-5 | FLANGE 90 | | 1 | | | | |
| 016 | 257255-0 | RING 17 | | 1 | | | | |
| 017 | 165709-2 | SAFETY COVER | | 1 | | | | |
| 018 | 211256-2 | BALL BEARING 6203LLB | | 1 | * | | | |
| 018-1 | 211282-1 | BALL BEARING 6203ZZ | O | 1 | | | | |
| 019 | 316527-3 | BEARING BOX | | 1 | | | | |
| 020 | 226415-5 | HELICAL GEAR 41 | | 1 | | | | |
| 021 | 322633-4 | SPINDLE | | 1 | | | | |
| 022 | 211064-1 | BALL BEARING 6000 | | 1 | * | | | |
| 022-1 | 210067-2 | BALL BEARING 6000ZZ | O | 1 | * | | | |
| 022-2 | 210199-5 | BALL BEARING 6000ZZ | O | 1 | | | | |
| 023 | 182628-7 | HANDLE SET | | 1 | | | | |
| D10 | | INC. 30 | | | | | | |
| 024 | 651922-3 | SWITCH TG71B | | 1 | | | | |
| 025 | 152463-7 | SWITCH LEVER COMPLETE | | 1 | | | | |
| 026 | 415366-9 | SWITCH LOCK | | 1 | | | | |
| 027 | 231397-8 | COMPRESSION SPRING 4 | | 1 | | | | |
| 028 | 281207-9 | HANGER | | 1 | * | | | |
| 028-1 | 281216-8 | HANGER | O | 1 | | | | |
| 029 | 256012-3 | PIN 6 | | 1 | * | | | |
| 029-1 | 268101-2 | PIN 6 | O | 1 | | | | |
| 030 | 182628-7 | HANDLE SET | | 1 | | | | |
| D10 | | INC. 23 | | | | | | |
| 031 | 417113-4 | SWITCH BUTTON | | 1 | | | | |
| 032 | 265995-6 | TAPPING SCREW 4X18 | | 4 | | | | |
| 033 | 911258-5 | PAN HEAD SCREW M5X35 | | 1 | | | | |
| 034 | 911273-9 | PAN HEAD SCREW M5X50 | | 2 | | | | |
| 036 | 645200-1 | NOISE SUPPRESSOR | | 1 | | | | |
| 037 | 688131-1 | LINE FILTER | | 1 | * | | | |
| 037-1 | 688131-1 | LINE FILTER | O | 1 | | | | |
| 038 | 265995-6 | TAPPING SCREW 4X18 | | 2 | | | | |
| 039 | 687124-5 | STRAIN RELIEF | | 1 | | | | |

Please order the parts with part number.

Print Date 4/12/2023

Model No.2414EN 355MM PORTABLE CUT-OFF

| Item | Parts No. | Description | I/C | Qty | New/Old | Opt. 1 | Opt. 2 | Note |
|-------|-----------|-----------------------------|-----|-----|---------|--------|--------|------|
| 040 | 665865-3 | POWER SUPPLY CORD 1.0-2-2.5 | | 1 | | | | |
| 041 | 682540-6 | CORD GUARD 9.3-90 | | 1 | | | | |
| 042 | 897914-0 | 2414EN NAME PLATE | | 1 | | | | |
| 043 | 141788-4 | MOTOR HOUSING COMPLETE | | 1 | | | | |
| C10 | 632A56-7 | SUPPORT UNIT | | 1 | | | | |
| C20 | 643707-1 | BRUSH HOLDER | | 2 | | | | |
| 044 | 643700-5 | BRUSH HOLDER CAP 7-18 | | 2 | | | | |
| 045 | 191953-5 | CARBON BRUSH CB-203 | | 1 | * | | | |
| 045-1 | 194991-6 | CARBON BRUSH SET CB203 | O | 1 | | | | |
| 046 | 911273-9 | PAN HEAD SCREW M5X50 | | 4 | | | | |
| 047 | 636008-4 | FIELD 220V | | 1 | | | | |
| 048 | 266059-9 | TAPPING SCREW 5X75 | | 2 | | | | |
| 049 | 415369-3 | BAFFLE PLATE | | 1 | | | | |
| 050 | 210042-8 | BALL BEARING 629LLB | | 1 | | | | |
| 051 | 510240-7 | ARMATURE ASS'Y 220V | | 1 | | | | |
| D10 | | INC. 50,52-54,97 | | | | | | |
| 052 | 241515-0 | FAN 92 | | 1 | | | | |
| 053 | 267714-6 | WASHER 15 | | 1 | | | | |
| 054 | 211228-7 | BALL BEARING 6202DDW | | 1 | | | | |
| 055 | 322665-1 | STOPPER | | 1 | | | | |
| 056 | 231240-1 | COMPRESSION SPRING 7 | | 1 | | | | |
| 057 | 150916-0 | GEAR HOUSING COMPLETE | | 1 | | | | |
| C10 | 263005-3 | RUBBER PIN 6 | | 1 | | | | |
| 058 | 951163-4 | SPRING PIN 5-20 | | 1 | | | | |
| 059 | 272027-2 | HANDLE 120 | | 1 | | | | |
| 060 | 324323-5 | WISE SCREW | | 1 | * | | | |
| 060-1 | 326802-9 | WISE SCREW | O | 1 | | | | |
| 061 | 233113-4 | COMPRESSION SPRING 45 | | 1 | | | | |
| 062 | 165066-8 | SPRING HOLDER | | 1 | | | | |
| 063 | 265407-9 | HEX.BOLT M10 | | 1 | | | | |
| 064 | 282015-1 | CHAIN | | 1 | | | | |
| 065 | 313114-9 | WISE NUT | | 1 | | | | |
| 066 | 345311-9 | PLATE | | 1 | | | | |
| 067 | 317662-0 | SCREW GUIDE | | 1 | | | | |
| 068 | 951175-7 | SPRING PIN 5-36 | | 1 | | | | |
| 069 | 951110-5 | SPRING PIN 4-16 | | 1 | | | | |
| 070 | 265125-9 | PAN HEAD SCREW M8X30 | | 2 | | | | |
| 071 | 265201-9 | HEX. BOLT M10X25 | | 1 | | | | |
| 072 | 265201-9 | HEX. BOLT M10X25 | | 1 | | | | |
| 073 | 346637-2 | GUIDE PLATE | | 1 | | | | |
| 074 | 252130-5 | HEX. LOCK NUT M10-17 | | 1 | | | | |
| 075 | 267713-8 | CUP WASHER 10 | | 1 | | | | |
| 076 | 331428-4 | PIN 16-113 | | 1 | | | | |
| 077 | 931302-2 | HEX. NUT M6 | | 1 | | | | |
| 078 | 942151-2 | SPRING WASHER 6 | | 1 | * | | | |

Please order the parts with part number.

Print Date 4/12/2023

Model No.2414EN 355MM PORTABLE CUT-OFF

| Item | Parts No. | Description | I/C | Qty | New/Old | Opt. 1 | Opt. 2 | Note |
|-------|-----------|--------------------------------|-----|-----|---------|--------|--------|------|
| 078-1 | 253428-3 | SPRING WASHER 6 | O | 1 | | | | |
| 079 | 922312-0 | HEX. SOCKET HEAD BOLT M6X12 | | 1 | | | | |
| 080 | 322049-3 | HOOK | | 1 | | | | |
| 081 | 165705-0 | SPARK GUARD | | 1 | | | | |
| 082 | 911308-6 | PAN HEAD SCREW M6X10 | | 1 | | | | |
| 083 | 421487-7 | CUSHION | | 3 | | | | |
| 084 | 267713-8 | CUP WASHER 10 | | 1 | | | | |
| 085 | 265406-1 | HEX. BOLT M10X130 | | 1 | | | | |
| 086 | 165717-3 | BASE | | 1 | | | | |
| 087 | 961004-6 | RETAINING RING (EXT) S-8 | | 1 | | | | |
| 088 | 267257-8 | FLAT WASHER 8 | | 1 | | | | |
| 089 | 256545-8 | PIN 16 | | 1 | | | | |
| 090 | 961056-7 | RETAINING RING S-16 | | 1 | | | | |
| 091 | 267257-8 | FLAT WASHER 8 | | 1 | | | | |
| 092 | 346636-4 | WISE PLATE | | 1 | | | | |
| 093 | 941152-7 | FLAT WASHER 6 | | 1 | | | | |
| 094 | 924306-1 | WING BOLT M6X10 | | 1 | | | | |
| 095 | 265985-9 | HEX.SOCKET HEAD BOLT M6 | | 1 | | | | |
| 096 | 345292-7 | UNDER COVER | | 1 | | | | |
| 097 | 681666-1 | INSULATION WASHER | | 1 | * | | | |
| 097-1 | 681666-1 | INSULATION WASHER | O | 1 | | | | |
| 098 | 253903-9 | WAVE WASHER 6 | | 1 | | | | |
| A01 | 782210-8 | SOCKET WRENCH 17 | | 1 | | | | |
| A02 | B-19881-5 | 14" CUT-OFF WHEEL 5PCS | | 1 | | | | |

Please order the parts with part number.

Print Date 4/12/2023