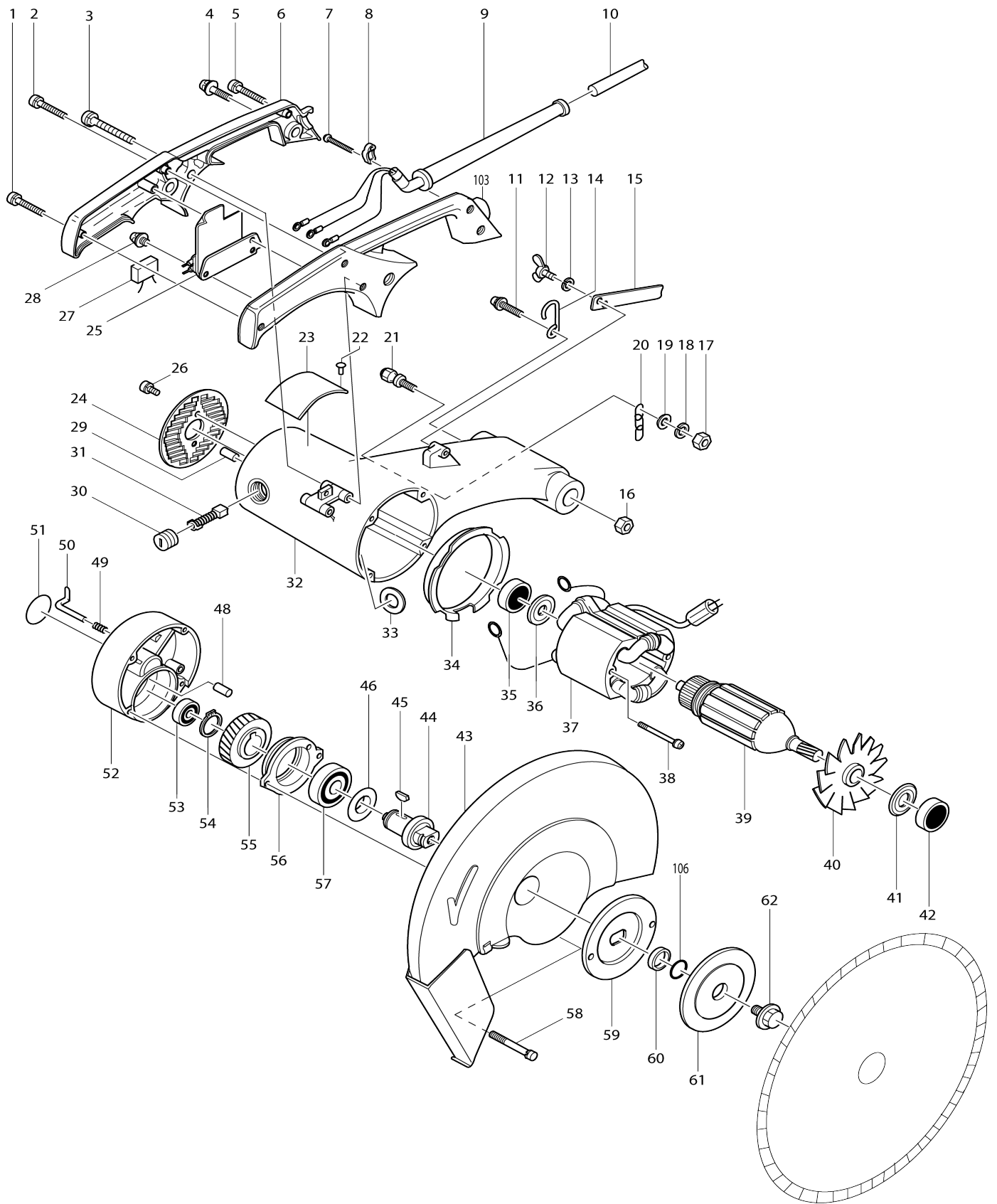
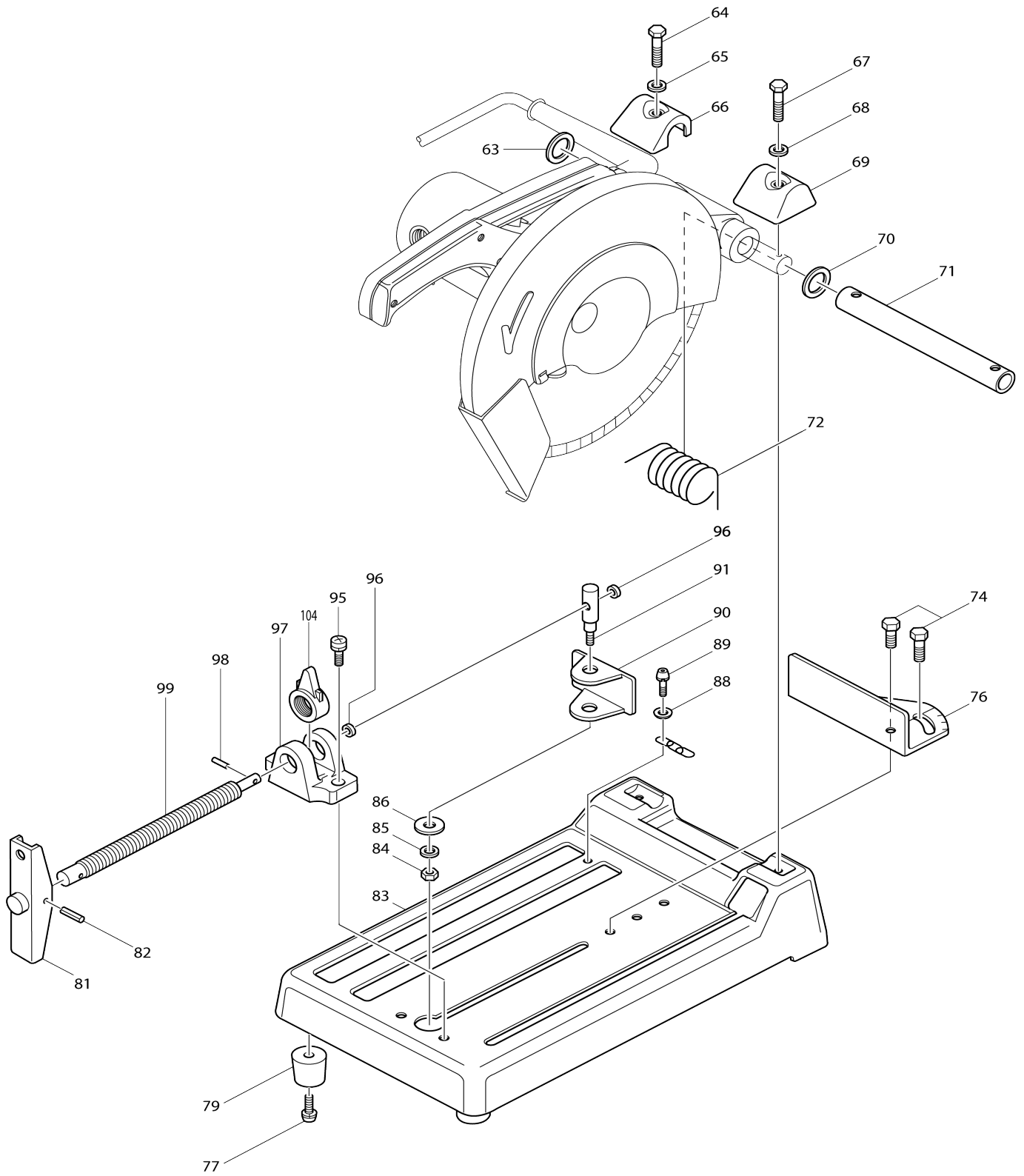


# Model No.2414K PORTABLE CUT-OFF 355MM



# Model No.2414K PORTABLE CUT-OFF 355MM



Model No.2414K PORTABLE CUT-OFF 355MM

Item No.	Parts No.	Description	Interchangability	Q'ty	New/Old	Note1	Note2
001	911148-2	PAN HEAD SCREW M4X25		1			
002	911148-2	PAN HEAD SCREW M4X25		1			
003	911273-9	PAN HEAD SCREW M5X50		2			
004	911253-5	PAN HEAD SCREW M5X30		1			
005	911148-2	PAN HEAD SCREW M4X25		1			
006	181149-6	HANDLE SET		1	*		
D10		INC. 103					
006-1	182751-8	HANDLE SET	X	1			
D10		INC. 103					
007-2	911133-5	PAN HEAD SCREW M4X18		2	*		
007-3	265995-6	TAPPING SCREW 4X18	X	2			
008B_	687001-1	STRAIN RELIEF		1	*		
008B1	687052-4	STRAIN RELIEF	X	1			
009	682507-4	CORD GUARD 12-200		1			
010G_	665231-4	POWER SUPPLY CORD 1.00-3-2.5		1			
011	911334-5	PAN HEAD SCREW M6X20		1	*		
012	322049-3	HOOK		1			
013	924206-5	WING BOLT M5X10		1			
014	942101-7	SPRING WASHER 5		1			
015	341395-5	STOPPER PLATE		1			
016	931302-2	HEX. NUT M6		1	*		
017	931302-2	HEX. NUT M6		1			
018	942151-2	SPRING WASHER 6		1			
019	253011-6	FLAT WASHER 6		1			
020	282013-5	CHAIN		1			
021	265380-3	HEX. BOLT M6X18		1			
022	953106-2	RIVET 0-5		4	*		
023	857005-9	NAME PLATE 2414K		1			
024	284010-7	REAR COVER		1			
025A_	651018-0	SWITCH HPAHR2-3S		1			
026	911211-1	PAN HEAD SCREW M5X12		2			
027B_	645182-7	NOICE SUPPRESSOR		1			
028A_	911113-1	PAN HEAD SCREW M4X10 WITH WR		2			
029	263002-9	RUBBER PIN 4		1			
030	643650-4	BRUSH HOLDER CAP 6.5-13.5		2	*		
030-1	643650-4	BRUSH HOLDER CAP 6.5-13.5	O	2			
031	181044-0	CARBON BRUSH CB-153		1	*		
031-1	194985-1	CARBON BRUSH SET CB-153	O	1			
032A_	156446-9	MOTOR HOUSING		1			
C10	643653-8	BRUSH HOLDER 6.5-13.5		2			
C20	913206-0	SET SCREW M5X8		2			
D10		INC. 29					
033	681002-1	INSULATION WASHER		2			
034	343299-7	BAFFLE PLATE		1			
035	211066-7	BALL BEARING 6200LLB		1			
036	213051-6	DUST SEAL 10		1			
037C_	524878-2	FIELD ASS'Y 220V		1			

C10	654020-2	RING TERMINAL		2		
C20	654502-4	CONNECTOR P-2		2		
038	911938-3	PAN HEAD SCREW M5X85		2		
039C_	514918-4	ARMATURE ASS'Y 220V		1		
D10		INC. 35,36,40-42				
040-1	241515-0	FAN 92		1		
041	213202-1	DUST SEAL 15		1		
042	211206-7	BALL BEARING 6202LLB		1		
043	168128-1	SAFETY COVER		1		
044	325517-5	SPINDLE		1		
045	254032-1	WOODRUFF KEY 5		1		
046	211306-3	BALL BEARING 6204LLB		1		
048	263002-9	RUBBER PIN 4		1		
049	231240-1	COMPRESSION SPRING 7		1		
050	325518-3	STOPPER		1		
051	213460-9	O RING 35		1		
052	157331-9	GEAR HOUSING		1		
D10		INC. 48,51				
053	211061-7	BALL BEARING 6000LLB		1		
054	961060-6	RETAINING RING S-20		1		
055	221774-2	HELICAL GEAR 41		1		
056	157026-4	BEARING HOUSING		1		
C10	263005-3	RUBBER PIN 6		1		
057	253755-8	FLAT WASHER 20		1		
058	911276-3	PAN HEAD SCREW M5X55		4		
059	224141-0	INNER FLANGE 120		1		
060	257054-0	RING 20		1		
061	224142-8	OUTER FLANGE 120		1		
062	251680-7	HEX. BOLT M10X25		1		
063	253751-6	FLAT WASHER 24		1		
064	251683-1	HEX. BOLT M8X40		1		
065	942201-3	SPRING WASHER 8		1		
066	345141-8	PIPE COVER (L)		1		
067	251683-1	HEX. BOLT M8X40		1		
068	942201-3	SPRING WASHER 8		1		
069	345142-6	PIPE COVER (R)		1		
070	253751-6	FLAT WASHER 24		1		
071	331087-4	PIPE 24		1		
072	231526-3	TORSION SPRING 26		1		
074	265201-9	HEX. BOLT M10X25		2		
076	345145-0	GUIDE PLATE		1		
077	911349-2	PAN HEAD SCREW M6X28		3		
079	421277-8	CUSHION		3		
081	272021-4	HANDLE 120		1		
082	951163-4	SPRING PIN 5-20		1		
083	132385-7	BASE ASS'Y		1		
D10		INC. 77,79				
084-1	931402-8	HEX. NUT M8		1		
085	942201-3	SPRING WASHER 8		1		
086	253752-4	FLAT WASHER 8		1		
088	253011-6	FLAT WASHER 6		1		

089	911316-7	PAN HEAD SCREW M6X14		1		
090	343546-6	VICE PLATE		1		
091	265922-3	SCREW M8		1		
095	911451-1	PAN HEAD SCREW M8X30		2		
096	253731-2	FLAT WASHER 8		2		
097	311830-7	SCREW GUIDE		1	*	
097-1	311949-2	SCREW GUIDE	O	1		
098	951066-2	SPRING PIN 3-18		1		
099	134548-1	VICE ASS'Y		1		
C10	322239-8	VICE SCREW		1		
D10		INC. 81,82,90,91,96-98,104				
103	181149-6	HANDLE SET		1	*	
D10		INC. 6				
103-1	182751-8	HANDLE SET	X	1		
D10		INC. 6				
104	322209-7	VICE NUT		1		
105	819064-1	MAKITA MARK		1		
106	213218-6	O RING 16		1		
A01	782210-8	SOCKET WRENCH 17		1		
A02-1	792189-5	CUT-OFF WHEEL 355-NO.10		1	*	
E05	345162-0	COIL BOX		1		
E09	421163-3	RUBBER PLUG		2	*	
E09-1	416771-3	PLUG	O	2		
E13	646329-6	LINE COIL		1		
E14	685722-9	SPONGE		1		
E18	911121-2	PAN HEAD SCREW M4X14		2		
E19	911148-2	PAN HEAD SCREW M4X25		1		

Please state Parts No. when your order.

Print Date 10/05/2023