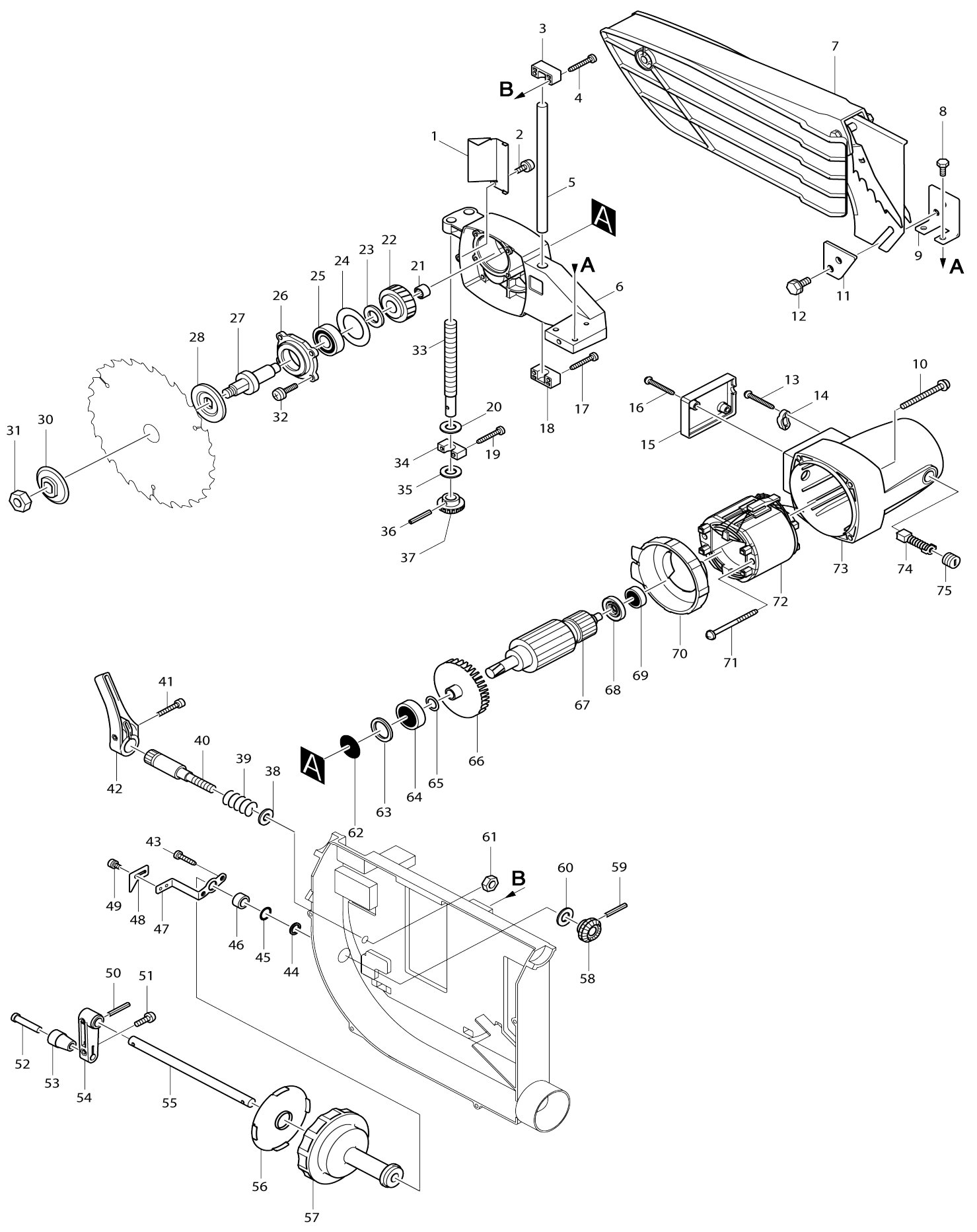
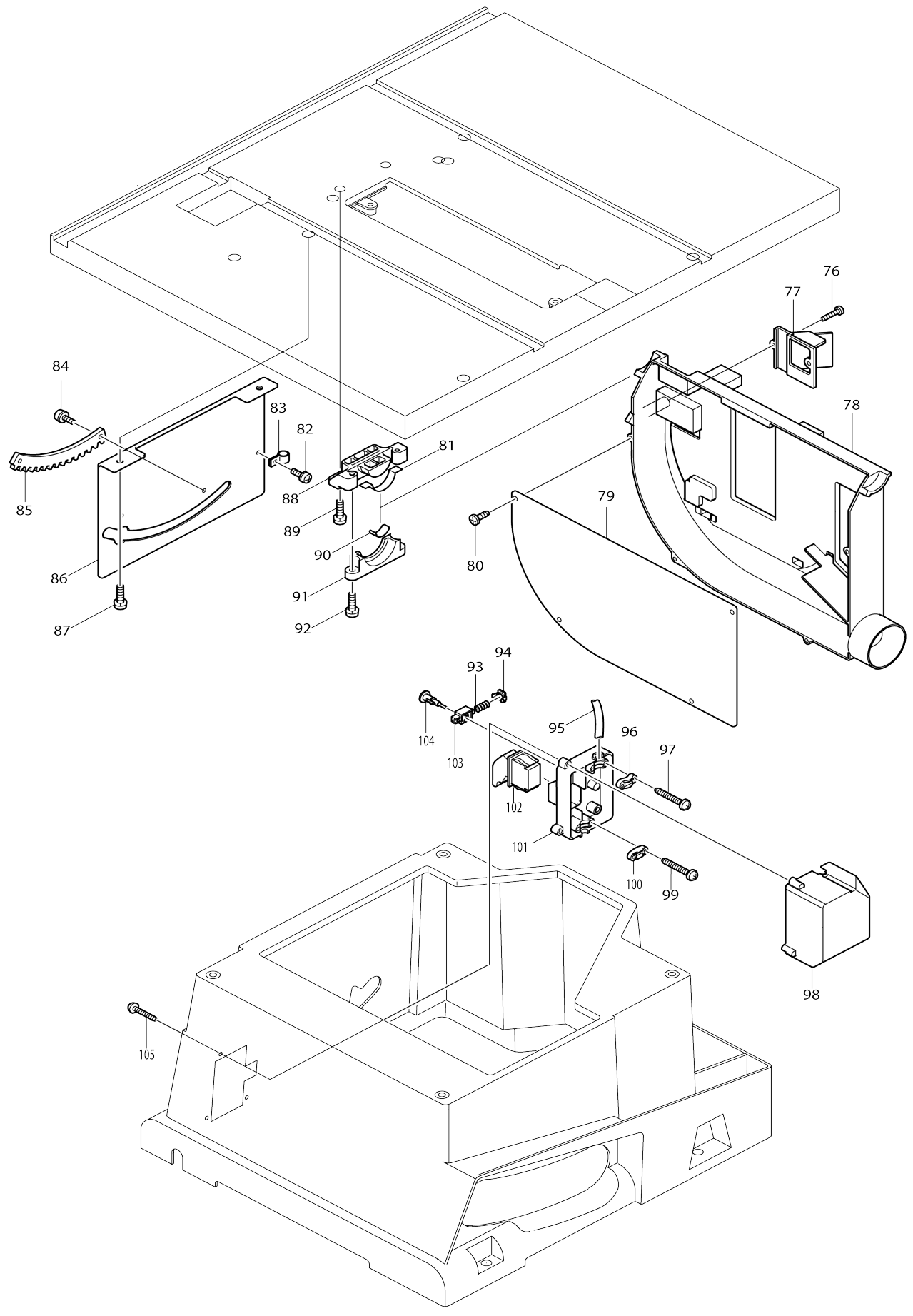


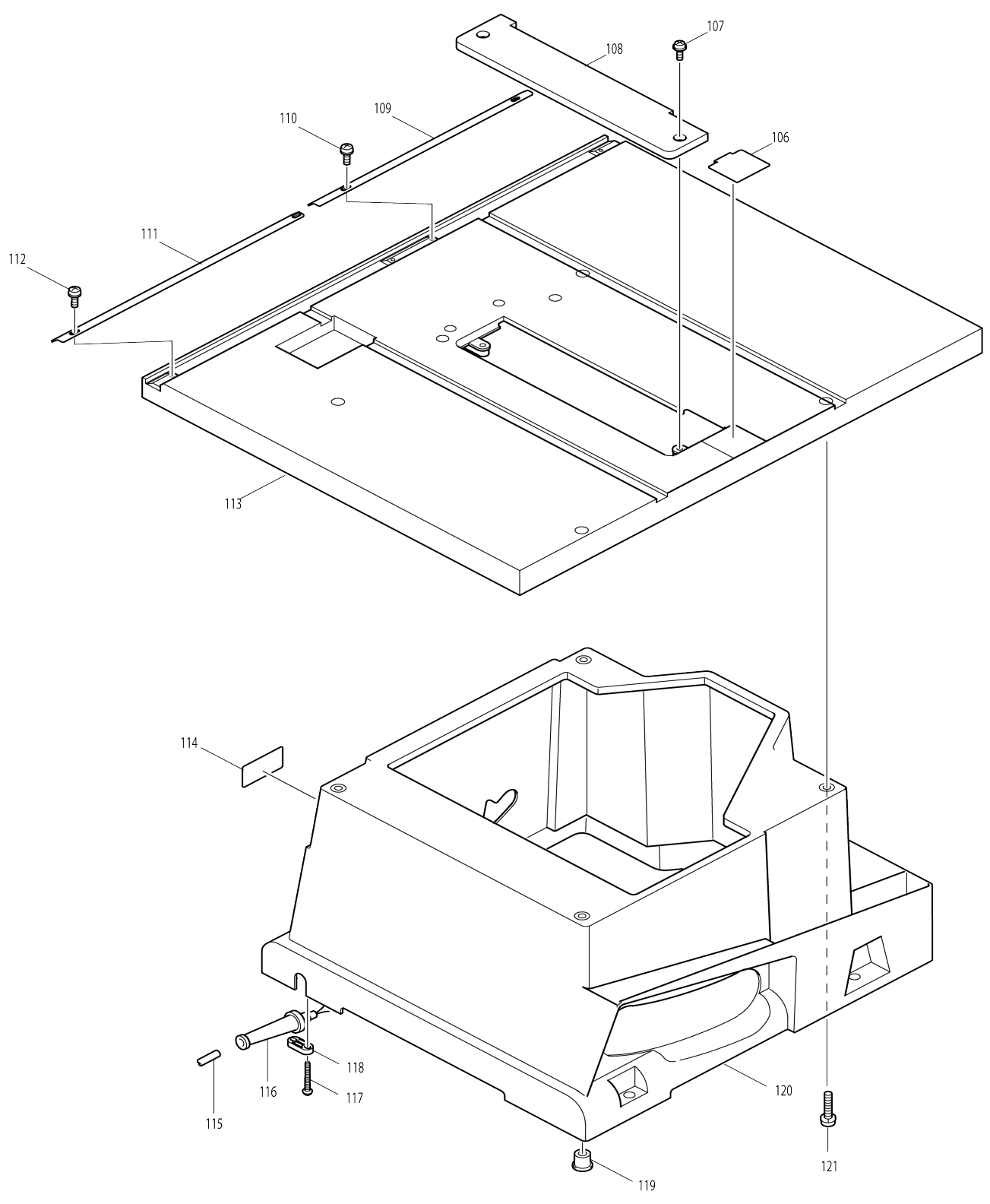
# Model No.2702 TABLE SAW 210MM



Model No.2702 TABLE SAW 210MM



Model No.2702 TABLE SAW 210MM



Model No.2702 TABLE SAW 210MM

| Item No. | Parts No. | Description           | Interchangeability | Q'ty | New/Old | Note1 | Note2 |
|----------|-----------|-----------------------|--------------------|------|---------|-------|-------|
| 001      | 344536-2  | GEAR HOUSING PLATE    |                    | 1    |         |       |       |
| 002      | 911208-0  | PAN HEAD SCREW M5X10  |                    | 1    | *       |       |       |
| 002-1    | 911213-7  | PAN HEAD SCREW M5X12  | O                  | 1    |         |       |       |
| 003      | 416340-0  | GUIDE BAR RETAINER    |                    | 2    |         |       |       |
| 004      | 266040-0  | TAPPING SCREW CT 4X25 |                    | 4    |         |       |       |
| 005      | 323736-7  | GUIDE BAR             |                    | 2    |         |       |       |
| 006      | 159999-7  | GEAR HOUSING COMPLETE |                    | 1    |         |       |       |
| C10      | 263005-3  | RUBBER PIN 6          |                    | 1    |         |       |       |
| C20      | 951157-9  | SPRING PIN 5-16       |                    | 1    |         |       |       |
| D10      |           | INC. 21               |                    |      |         |       |       |
| 007B_    | 168314-4  | SAFETY GUIDE          |                    | 1    |         |       |       |
| C10      | 890408-4  | CAUTION LABEL         |                    | 1    |         |       |       |
| 008      | 265391-8  | +HEX. BOLT M6X16      |                    | 2    |         |       |       |
| 009      | 165206-8  | STAY                  |                    | 1    |         |       |       |
| 010      | 911383-2  | PAN HEAD SCREW M6X60  |                    | 4    |         |       |       |
| 011      | 344545-1  | PRESSURE PLATE        |                    | 1    |         |       |       |
| 012      | 921431-9  | HEX. BOLT M8X20       |                    | 2    |         |       |       |
| 013      | 265995-6  | TAPPING SCREW 4X18    |                    | 2    |         |       |       |
| 014      | 687054-0  | STRAIN RELIEF         |                    | 1    |         |       |       |
| 015      | 416341-8  | COVER                 |                    | 1    |         |       |       |
| 016      | 265995-6  | TAPPING SCREW 4X18    |                    | 2    |         |       |       |
| 017      | 266040-0  | TAPPING SCREW CT 4X25 |                    | 4    |         |       |       |
| 018      | 416340-0  | GUIDE BAR RETAINER    |                    | 2    |         |       |       |
| 019      | 266040-0  | TAPPING SCREW CT 4X25 |                    | 2    |         |       |       |
| 020      | 961016-9  | STOP RING E-10        |                    | 1    |         |       |       |
| 021      | 212121-8  | NEEDLE BEARING 1210   |                    | 1    |         |       |       |
| 022      | 226499-3  | HELICAL GEAR 42       |                    | 1    |         |       |       |
| 023      | 267176-8  | FLAT WASHER 17        |                    | 1    |         |       |       |
| 024      | 267170-0  | FLAT WASHER 34        |                    | 1    |         |       |       |
| 025      | 211256-2  | BALL BEARING 6203LLB  |                    | 1    |         |       |       |
| 026      | 316933-2  | BEARING BOX           |                    | 1    |         |       |       |
| 027      | 153264-6  | SPINDLE COMPLETE      |                    | 1    |         |       |       |
| C10      | 323738-3  | SPINDLE               |                    | 1    |         |       |       |
| D10      |           | INC. 22-25            |                    |      |         |       |       |
| 028      | 224333-1  | FLANGE 53             |                    | 1    |         |       |       |
| 030      | 224347-0  | OUTER FLANGE 53       |                    | 1    | *       |       |       |
| 030-1    | 224482-4  | OUTER FLANGE 53       | O                  | 1    |         |       |       |
| 031      | 252155-9  | HEX. NUT M12-19       |                    | 1    |         |       |       |
| 032      | 911233-1  | PAN HEAD SCREW M5X20  |                    | 4    |         |       |       |
| 033      | 322968-3  | SCREW BAR             |                    | 1    |         |       |       |
| 034      | 416339-5  | SCREW BAR RETAINER    |                    | 1    |         |       |       |
| 035      | 941302-4  | FLAT WASHER 12        |                    | 1    |         |       |       |
| 036      | 951116-3  | SPRING PIN 4-20       |                    | 1    |         |       |       |
| 037      | 226747-0  | STRAIGHT BEVEL GEAR   |                    | 1    |         |       |       |
| 038      | 253024-7  | FLAT WASHER 10        |                    | 1    |         |       |       |
| 039      | 231315-6  | COMPRESSION SPRING 14 |                    | 1    |         |       |       |
| 040      | 322967-5  | LOCK LEVER SHAFT      |                    | 1    |         |       |       |
|          |           |                       |                    |      |         |       |       |

|       |          |                             |   |   |   |  |
|-------|----------|-----------------------------|---|---|---|--|
| 041   | 922243-3 | HEX. SOCKET HEAD BOLT M5X25 |   | 1 |   |  |
| 042   | 272237-1 | LEVER 90                    |   | 1 |   |  |
| 043   | 266034-5 | TAPPING SCREW CT 4X16       |   | 2 |   |  |
| 044   | 253143-9 | FLAT WASHER 12              |   | 1 |   |  |
| 045   | 213107-5 | O RING 12                   |   | 1 |   |  |
| 046   | 214114-1 | PLANE BEARING 12            |   | 1 |   |  |
| 047   | 344544-3 | STAY                        |   | 1 |   |  |
| 048   | 344543-5 | POINTER                     |   | 1 |   |  |
| 049   | 922103-9 | HEX. SOCKET HEAD BOLT M4X6  |   | 1 |   |  |
| 050   | 951116-3 | SPRING PIN 4-20             |   | 1 |   |  |
| 051   | 911218-7 | PAN HEAD SCREW M5X14        |   | 1 |   |  |
| 052   | 268031-7 | PIN 8                       |   | 1 |   |  |
| 053   | 271408-7 | KNOB 20                     |   | 1 |   |  |
| 054   | 271071-6 | HANDLE 120                  |   | 1 |   |  |
| 055   | 323735-9 | HANDLE SHAFT                |   | 1 |   |  |
| 056   | 344581-7 | CAP 92                      |   | 1 |   |  |
| 057   | 271070-8 | HANDLE 100                  |   | 1 |   |  |
| 058   | 226747-0 | STRAIGHT BEVEL GEAR         |   | 1 |   |  |
| 059   | 951116-3 | SPRING PIN 4-20             |   | 1 |   |  |
| 060   | 941302-4 | FLAT WASHER 12              |   | 1 |   |  |
| 061   | 931502-4 | HEX. NUT M10                |   | 1 |   |  |
| 062   | 213423-5 | O RING 30                   |   | 1 |   |  |
| 063   | 253792-2 | FLAT WASHER 26              |   | 1 |   |  |
| 064   | 211206-7 | BALL BEARING 6202LLB        |   | 1 |   |  |
| 065   | 253147-1 | FLAT WASHER 15              |   | 1 |   |  |
| 066   | 240003-4 | FAN 80                      |   | 1 |   |  |
| 067B_ | 516763-3 | ARMATURE ASS'Y 220V         |   | 1 |   |  |
| D10   |          | INC. 64-66,68,69            |   |   |   |  |
| 068   | 681640-9 | INSULATION WASHER           |   | 1 |   |  |
| 069   | 211061-7 | BALL BEARING 6000LLB        |   | 1 |   |  |
| 070   | 416331-1 | BAFFLE PLATE                |   | 1 |   |  |
| 071   | 266029-8 | TAPPING SCREW 5X65          |   | 2 |   |  |
| 072C_ | 599511-5 | FIELD ASS'Y 220-240V        |   | 1 |   |  |
| C10   | 654020-2 | RING TERMINAL               |   | 2 |   |  |
| C20   | 654553-7 | CONNECTOR 34137             |   | 2 |   |  |
| 073   | 159998-9 | MOTOR HOUSING COMPLETE      |   | 1 |   |  |
| C10   | 643660-1 | BRUSH HOLDER 6.5-13.5       |   | 2 | * |  |
| C11   | 643653-8 | BRUSH HOLDER 6.5-13.5       | O | 2 |   |  |
| 074   | 181044-0 | CARBON BRUSH CB-153         |   | 1 | * |  |
| 074-1 | 194985-1 | CARBON BRUSH SET CB-153     | O | 1 |   |  |
| 075   | 643650-4 | BRUSH HOLDER CAP 6.5-13.5   |   | 2 | * |  |
| 075-1 | 643650-4 | BRUSH HOLDER CAP 6.5-13.5   | O | 2 |   |  |
| 076   | 266034-5 | TAPPING SCREW CT 4X16       |   | 2 |   |  |
| 077   | 416439-1 | DUST GUIDE                  |   | 1 |   |  |
| 078   | 316931-6 | FRAME                       |   | 1 | * |  |
| 078-1 | 317382-6 | FRAME                       | X | 1 | * |  |
| 078-2 | 317880-0 | FRAME                       | O | 1 | * |  |
| 078-3 | 318253-0 | FRAME                       | O | 1 |   |  |
| 079   | 344519-2 | FRAME COVER                 |   | 1 |   |  |
| 080   | 266035-3 | TAPPING SCREW BIND CT 5X12  |   | 4 |   |  |
| 081   | 344529-9 | SLIDE SEAT                  |   | 2 |   |  |
| 082   | 251308-7 | + PAN HEAD SCREW M4X10      |   | 1 |   |  |

|       |          |                                  |   |   |   |  |
|-------|----------|----------------------------------|---|---|---|--|
| 083   | 687049-3 | STRAIN RELIEF                    |   | 1 |   |  |
| 084   | 911208-0 | PAN HEAD SCREW M5X10             |   | 2 | * |  |
| 084-1 | 911213-7 | PAN HEAD SCREW M5X12             | O | 2 |   |  |
| 085   | 416333-7 | RACK PLATE                       |   | 1 |   |  |
| 086   | 344518-4 | PLATE                            |   | 1 | * |  |
| 086-1 | 345628-0 | PLATE                            | O | 1 |   |  |
| 087   | 911323-0 | PAN HEAD SCREW M6X16             |   | 2 |   |  |
| 088   | 317010-3 | ADJUST BLOCK                     |   | 1 | * |  |
| 088-1 | 318020-3 | ADJUST BLOCK                     | O | 1 |   |  |
| 089   | 265460-5 | HEX. BOLT M6X20                  |   | 2 |   |  |
| 090   | 232174-1 | LEAF SPRING                      |   | 2 |   |  |
| 091   | 416332-9 | FRAME RETAINER                   |   | 2 |   |  |
| 092   | 911333-7 | PAN HEAD SCREW M6X20             |   | 4 |   |  |
| 095A_ | 664091-1 | POWER SUPPLY CORD #18-5-0.8<br>6 |   | 1 |   |  |
| 096   | 687054-0 | STRAIN RELIEF                    |   | 1 |   |  |
| 097   | 265995-6 | TAPPING SCREW 4X18               |   | 2 |   |  |
| 098A_ | 416337-9 | SWITCH BOX                       |   | 1 | * |  |
| 099   | 265995-6 | TAPPING SCREW 4X18               |   | 2 |   |  |
| 100   | 687052-4 | STRAIN RELIEF                    |   | 1 |   |  |
| 101A_ | 416336-1 | SWITCH BASE                      |   | 1 | * |  |
| 102B_ | 651962-1 | SWITCH 2BSO-7                    |   | 1 |   |  |
| 105A_ | 266052-3 | TAPPING SCREW 4X60               |   | 3 |   |  |
| 107   | 911323-0 | PAN HEAD SCREW M6X16             |   | 2 |   |  |
| 108   | 316934-0 | CENTER COVER                     |   | 1 | * |  |
| 108-1 | 316934-0 | CENTER COVER                     | O | 1 |   |  |
| 109A_ | 816341-2 | SCALE PLATE L                    |   | 1 |   |  |
| 110   | 251308-7 | + PAN HEAD SCREW M4X10           |   | 2 |   |  |
| 111A_ | 816340-4 | SCALE PLATE R                    |   | 1 |   |  |
| 112   | 251308-7 | + PAN HEAD SCREW M4X10           |   | 2 |   |  |
| 113   | 316930-8 | TABLE                            |   | 1 | * |  |
| 113-1 | 317383-4 | TABLE                            | S | 1 | * |  |
| 113-2 | 317383-4 | TABLE                            | O | 1 | * |  |
| 113-3 | 317383-4 | TABLE                            | O | 1 |   |  |
| 114   | 859344-3 | NAME PLATE 2702                  |   | 1 |   |  |
| 115C_ | 665865-3 | POWER SUPPLY CORD 1.0-2-2.5      |   | 1 |   |  |
| 116B_ | 682516-3 | CORD GUARD 9.3-85                |   | 1 | * |  |
| 116B1 | 682504-0 | CORD GUARD 10-85                 | O | 1 |   |  |
| 117   | 265995-6 | TAPPING SCREW 4X18               |   | 2 |   |  |
| 118   | 687052-4 | STRAIN RELIEF                    |   | 1 |   |  |
| 119   | 286202-4 | CAP 20                           |   | 4 |   |  |
| 120B_ | 150826-1 | BASE COMPLETE                    |   | 1 |   |  |
| C10   | 816777-5 | BEVEL SCALE LABEL                |   | 1 |   |  |
| 121   | 911344-2 | PAN HEAD SCREW M6X25             |   | 4 |   |  |
| 122   | 253052-2 | FLAT WASHER 12                   |   | 1 |   |  |
| A01   | 122556-4 | RULER ASS'Y                      |   | 1 |   |  |
| C06   | 232175-9 | LEAF SPRING                      |   | 1 |   |  |
| C11   | 256258-1 | PIN 6                            |   | 1 |   |  |
| C16   | 256259-9 | PIN 8                            |   | 1 |   |  |
| C21   | 266175-7 | R.H SQUARE NECK BOLT M5X590      |   | 1 |   |  |
| C26   | 316936-6 | RULE HOLDER                      |   | 1 |   |  |
| C31   | 323739-1 | ADJUST NUT                       |   | 1 |   |  |

|       |          |                            |   |    |   |  |  |
|-------|----------|----------------------------|---|----|---|--|--|
| C36   | 344530-4 | HOOK PLATE                 |   | 1  |   |  |  |
| C41   | 344531-2 | PRESSURE PLATE             |   | 1  |   |  |  |
| C46   | 344580-9 | CAM                        |   | 1  |   |  |  |
| C51   | 416342-6 | RULER TOP                  |   | 1  |   |  |  |
| C56   | 165205-0 | RULER                      |   | 1  |   |  |  |
| C61   | 233228-7 | COMPRESSION SPRING 10      |   | 1  |   |  |  |
| A02   | 781027-6 | WRENCH 19                  |   | 1  |   |  |  |
| A03   | 782021-1 | WRENCH 13-22               |   | 1  |   |  |  |
| A04   | 783009-4 | HOLDER CAP OPENER          |   | 1  |   |  |  |
| A05A_ | A-81767  | T.C.T.SAW BLADE 210X18TX30 |   | 1  |   |  |  |
| A06   | 163024-8 | GUIDE PLATE                |   | 1  |   |  |  |
| A07   | 271401-1 | KNOB 32                    |   | 1  |   |  |  |
| A08   | 253047-5 | FLAT WASHER 6              |   | 1  |   |  |  |
| A09   | 122555-6 | ANGLE RULE ASS'Y           |   | 1  |   |  |  |
| D10   |          | INC. A06-A08               |   |    |   |  |  |
| E02   | 645200-1 | NOISE SUPPRESSOR           |   | 1  |   |  |  |
| E04   | 257137-6 | RING 16                    |   | 1  | * |  |  |
| E06   | 192680-7 | TABLE SAW STAND            |   | 1  | * |  |  |
| C06   | 286215-5 | CAP 28                     |   | 4  | * |  |  |
| C11   | 344589-1 | STAND STAY A               |   | 2  | * |  |  |
| C16   | 344588-3 | STAND LEG                  |   | 4  | * |  |  |
| C21   | 931402-8 | HEX. NUT M8                |   | 36 | * |  |  |
| C26   | 941201-0 | FLAT WASHER 8              |   | 4  | * |  |  |
| C31   | 921461-0 | HEX. BOLT M8X40            |   | 4  | * |  |  |
| C36   | 344590-6 | STAND STAY B               |   | 2  | * |  |  |
| C41   | 942201-3 | SPRING WASHER 8            |   | 32 | * |  |  |
| C46   | 265823-5 | CAP SQUARE NECK BOLT M8X14 |   | 32 | * |  |  |
| C51   | 344591-4 | UNDER STAY                 |   | 4  | * |  |  |
| C56   | 842086-6 | CARTON                     |   | 1  | * |  |  |
| E06-1 | 192680-7 | TABLE SAW STAND            | O | 1  | * |  |  |
| C06   | 286215-5 | CAP 28                     |   | 4  | * |  |  |
| C11   | 344589-1 | STAND STAY A               |   | 2  | * |  |  |
| C16   | 344588-3 | STAND LEG                  |   | 4  | * |  |  |
| C21   | 931402-8 | HEX. NUT M8                |   | 36 | * |  |  |
| C26   | 941201-0 | FLAT WASHER 8              |   | 4  | * |  |  |
| C31   | 921461-0 | HEX. BOLT M8X40            |   | 4  | * |  |  |
| C36   | 344590-6 | STAND STAY B               |   | 2  | * |  |  |
| C41   | 942201-3 | SPRING WASHER 8            |   | 32 | * |  |  |
| C46   | 265823-5 | CAP SQUARE NECK BOLT M8X14 |   | 32 | * |  |  |
| C51   | 344591-4 | UNDER STAY                 |   | 4  | * |  |  |
| C56   | 842086-6 | CARTON                     |   | 1  | * |  |  |
| E06-2 | 193920-6 | STAND SET                  | O | 1  |   |  |  |
| C06   | 286215-5 | CAP 28                     |   | 4  |   |  |  |
| C11   | 344589-1 | STAND STAY A               |   | 2  |   |  |  |
| C16   | 344588-3 | STAND LEG                  |   | 4  |   |  |  |
| C21   | 931402-8 | HEX. NUT M8                |   | 38 |   |  |  |
| C26   | 941201-0 | FLAT WASHER 8              |   | 4  |   |  |  |
| C31   | 921461-0 | HEX. BOLT M8X40            |   | 4  |   |  |  |
| C36   | 344590-6 | STAND STAY B               |   | 2  |   |  |  |
| C41   | 942201-3 | SPRING WASHER 8            |   | 33 |   |  |  |
| C46   | 265823-5 | CAP SQUARE NECK BOLT M8X14 |   | 33 |   |  |  |
|       |          |                            |   |    |   |  |  |

|     |          |                             |  |   |   |  |
|-----|----------|-----------------------------|--|---|---|--|
| C51 | 344591-4 | UNDER STAY                  |  | 4 |   |  |
| C56 | 846286-0 | CARTON                      |  | 1 |   |  |
| E07 | 416338-7 | SWITCH LEVER                |  | 1 | * |  |
| E12 | 911128-8 | P.H.SCREW M4X16 WITH WR     |  | 2 |   |  |
| F02 | 192797-6 | SUB-TABLE (R)               |  | 1 |   |  |
| C06 | 265823-5 | CAP SQUARE NECK BOLT M8X14  |  | 2 |   |  |
| C11 | 317059-3 | GUIDE RAIL                  |  | 1 |   |  |
| C16 | 344649-9 | SUPPORTER                   |  | 2 |   |  |
| C21 | 421653-6 | CAP R                       |  | 1 |   |  |
| C26 | 265391-8 | +HEX. BOLT M6X16            |  | 4 |   |  |
| C31 | 922331-6 | HEX. SOCKET HEAD BOLT M6X20 |  | 3 |   |  |
| C36 | 931402-8 | HEX. NUT M8                 |  | 2 |   |  |
| C41 | 941151-9 | FLAT WASHER 6               |  | 3 |   |  |
| C46 | 941251-5 | FLAT WASHER 10              |  | 2 |   |  |
| F03 | 192798-4 | SUB-TABLE (L)               |  | 1 |   |  |
| C06 | 265823-5 | CAP SQUARE NECK BOLT M8X14  |  | 2 |   |  |
| C11 | 317059-3 | GUIDE RAIL                  |  | 1 |   |  |
| C16 | 344649-9 | SUPPORTER                   |  | 2 |   |  |
| C21 | 421654-4 | CAP L                       |  | 1 |   |  |
| C26 | 265391-8 | +HEX. BOLT M6X16            |  | 4 |   |  |
| C31 | 922331-6 | HEX. SOCKET HEAD BOLT M6X20 |  | 3 |   |  |
| C36 | 931402-8 | HEX. NUT M8                 |  | 2 |   |  |
| C41 | 941151-9 | FLAT WASHER 6               |  | 3 |   |  |
| C46 | 941251-5 | FLAT WASHER 10              |  | 2 |   |  |

Please state Parts No. when your order.

Print Date 10/31/2023