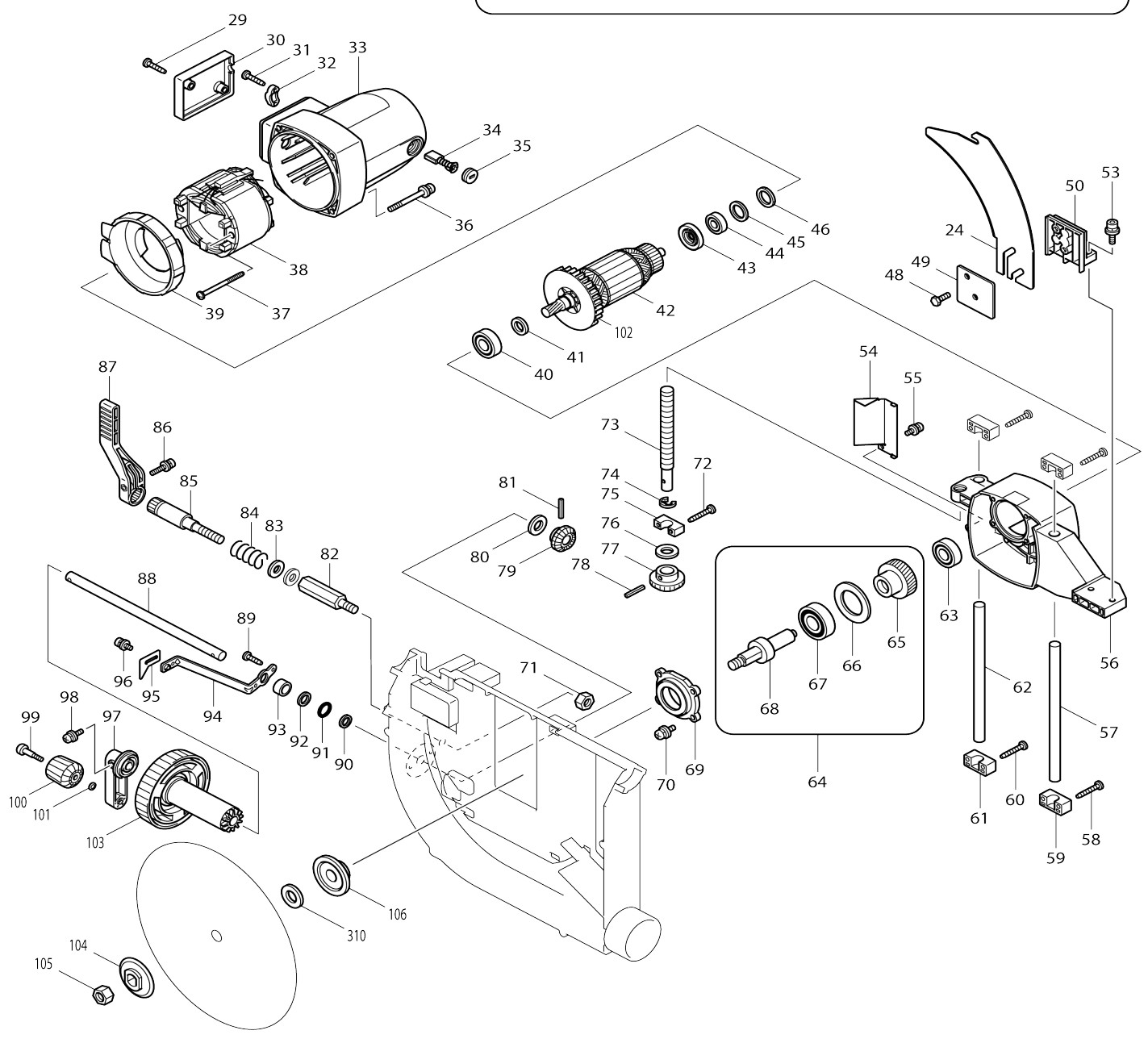
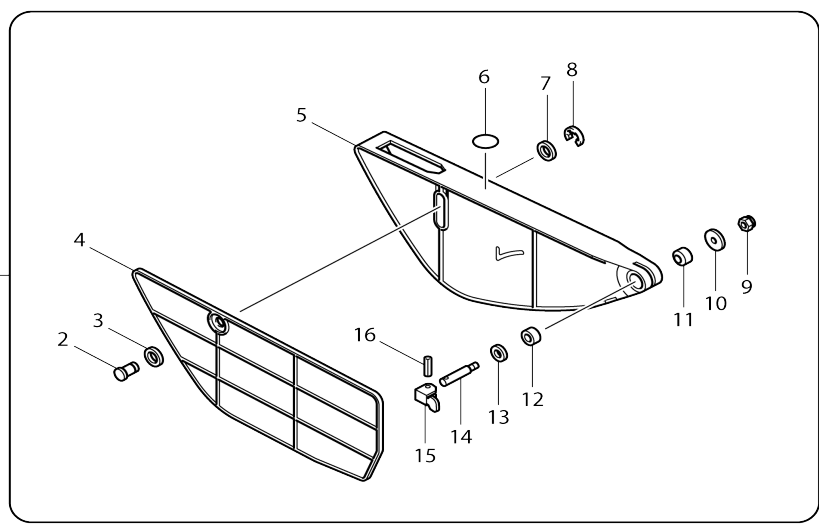
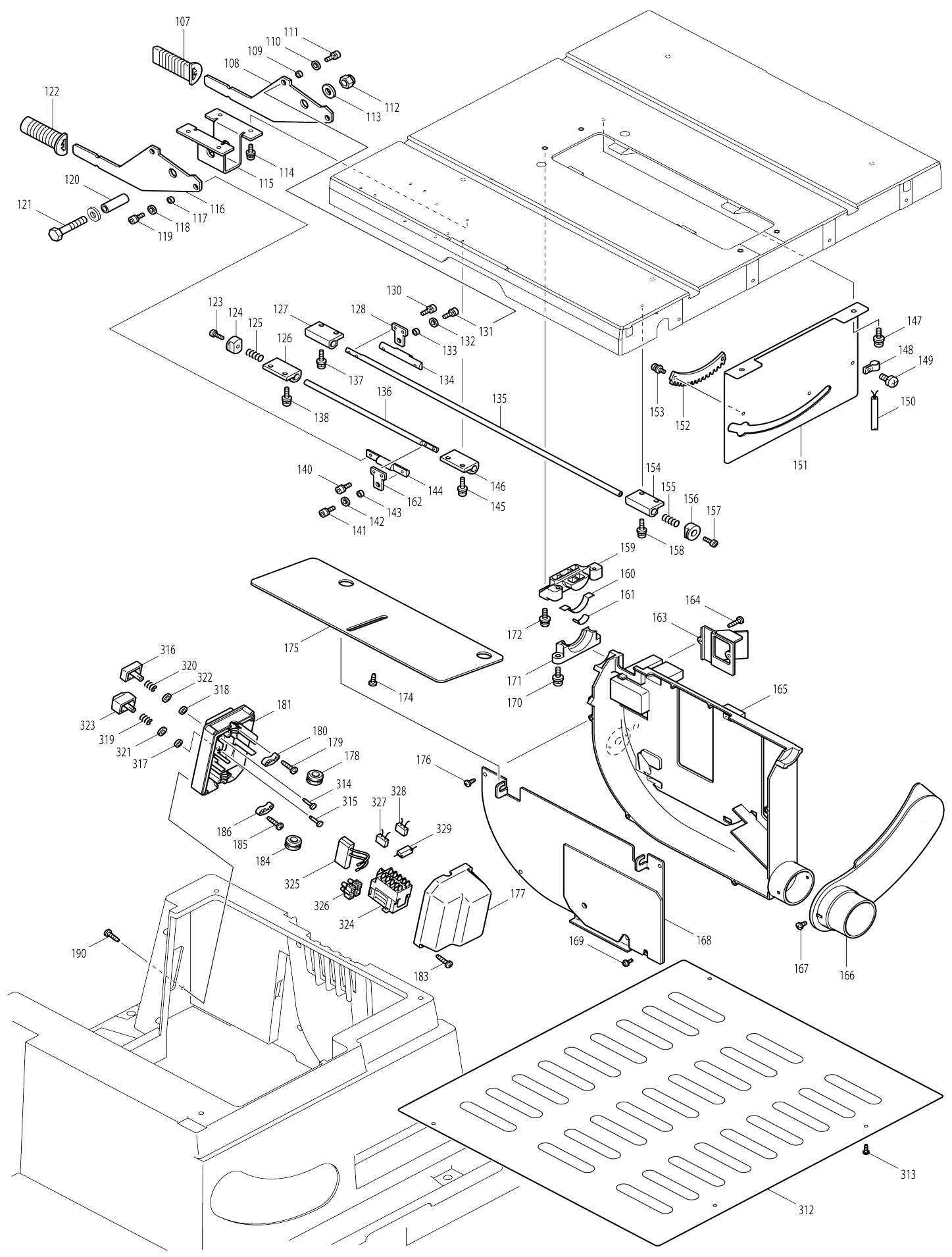


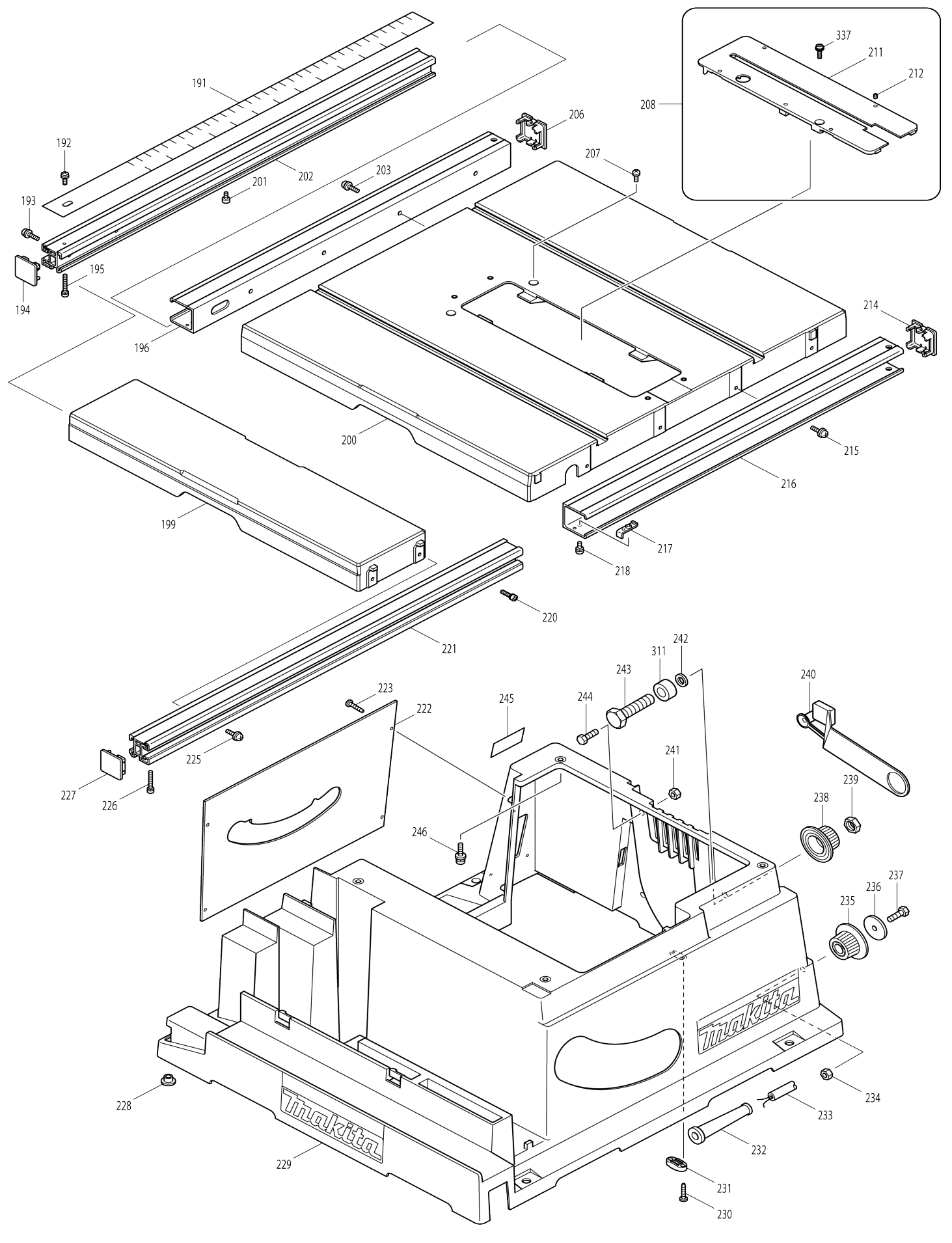
# Model No.2704 TABLE SAW 255MM



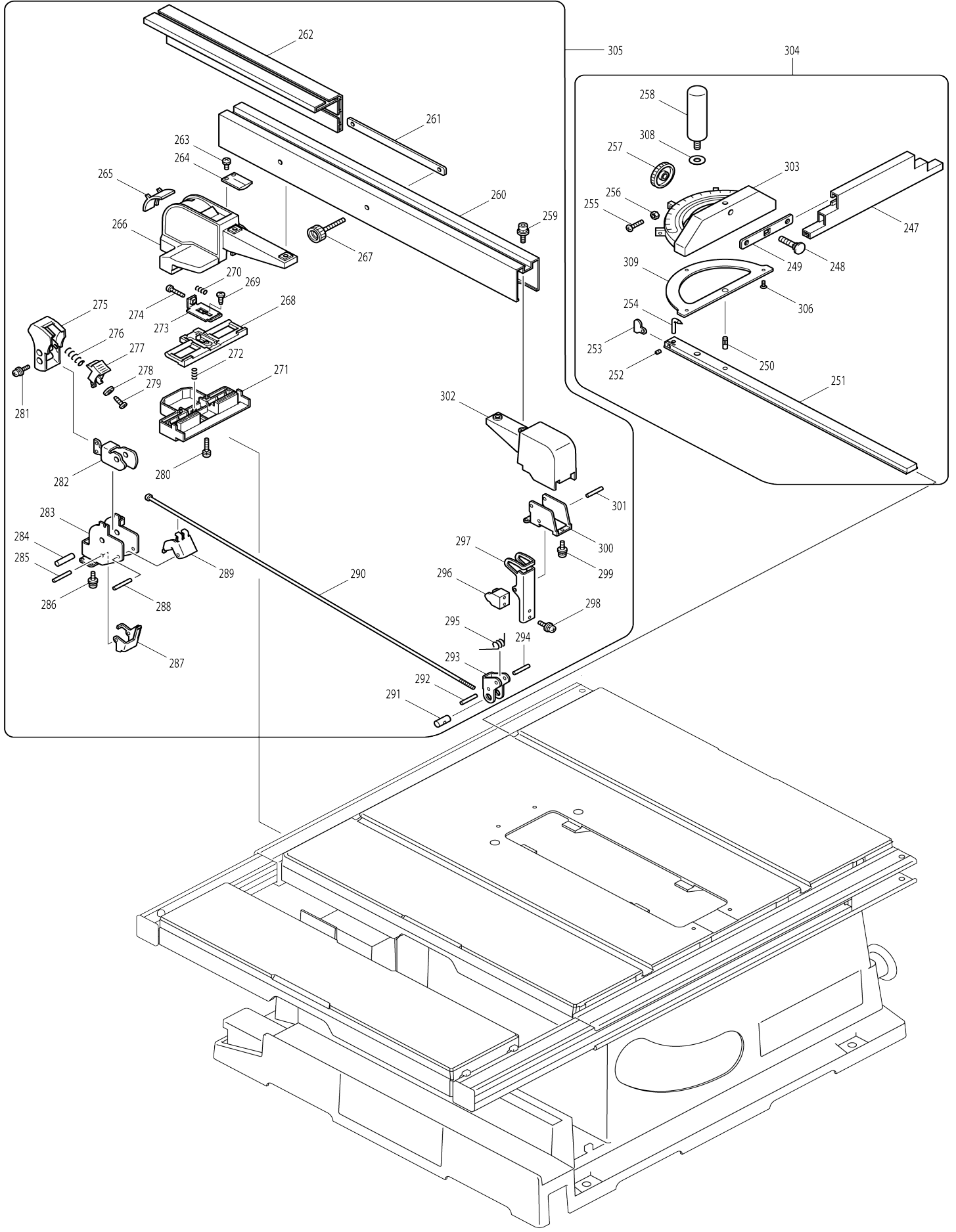
# Model No.2704 TABLE SAW 255MM



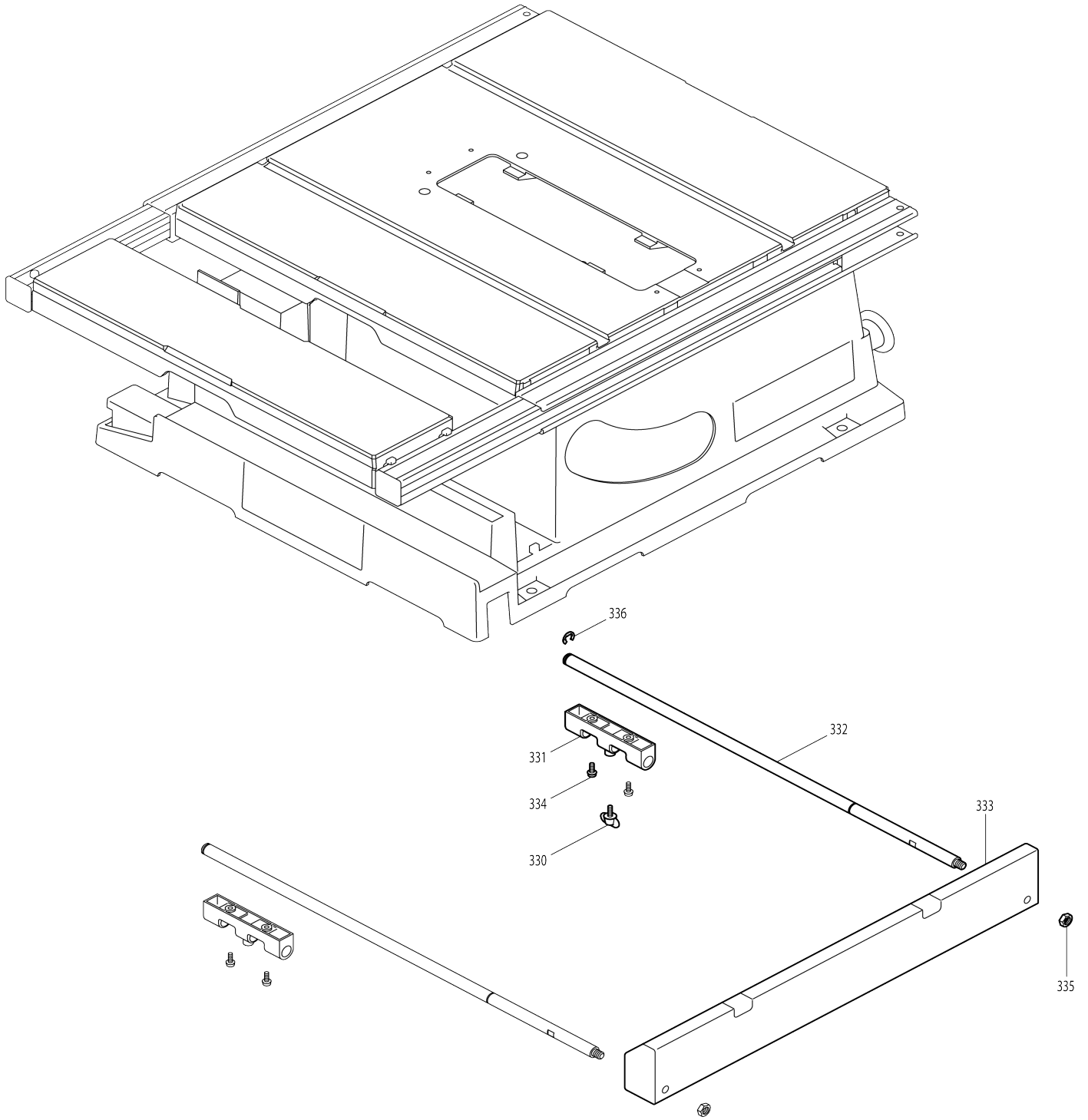
# Model No.2704 TABLE SAW 255MM



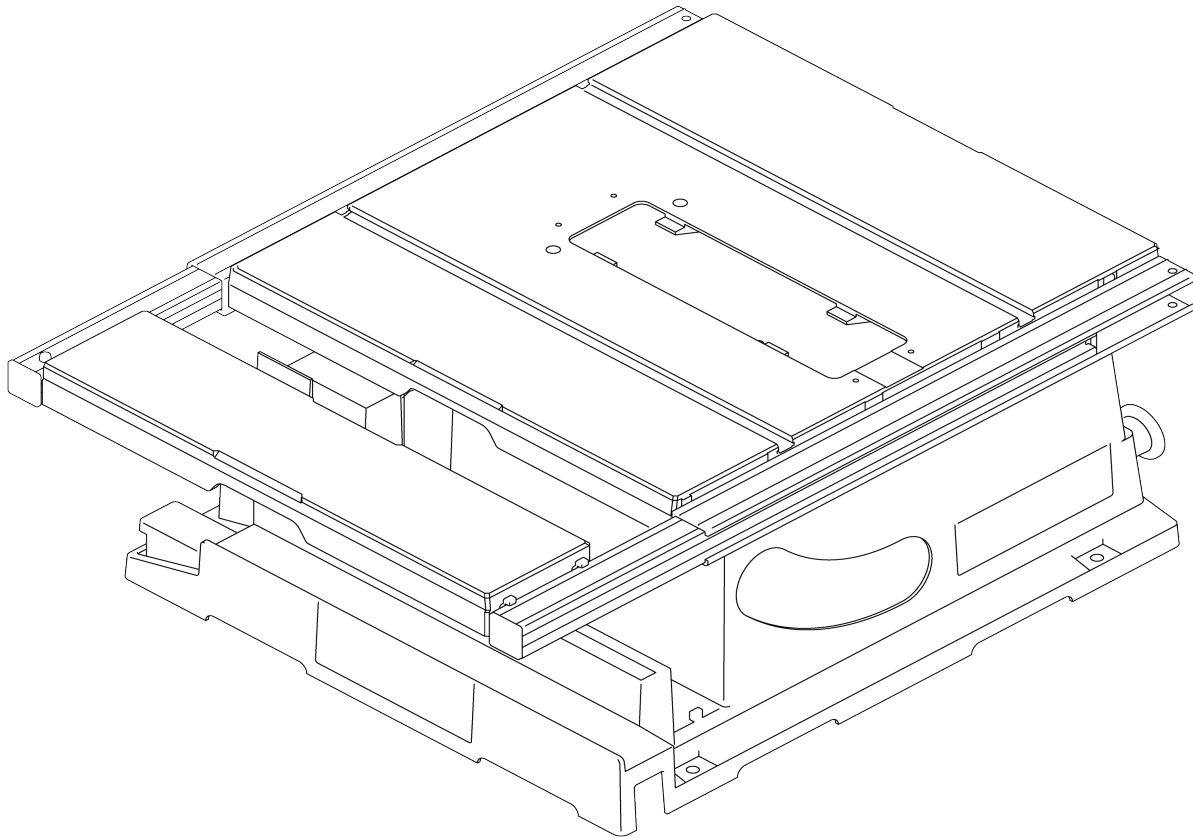
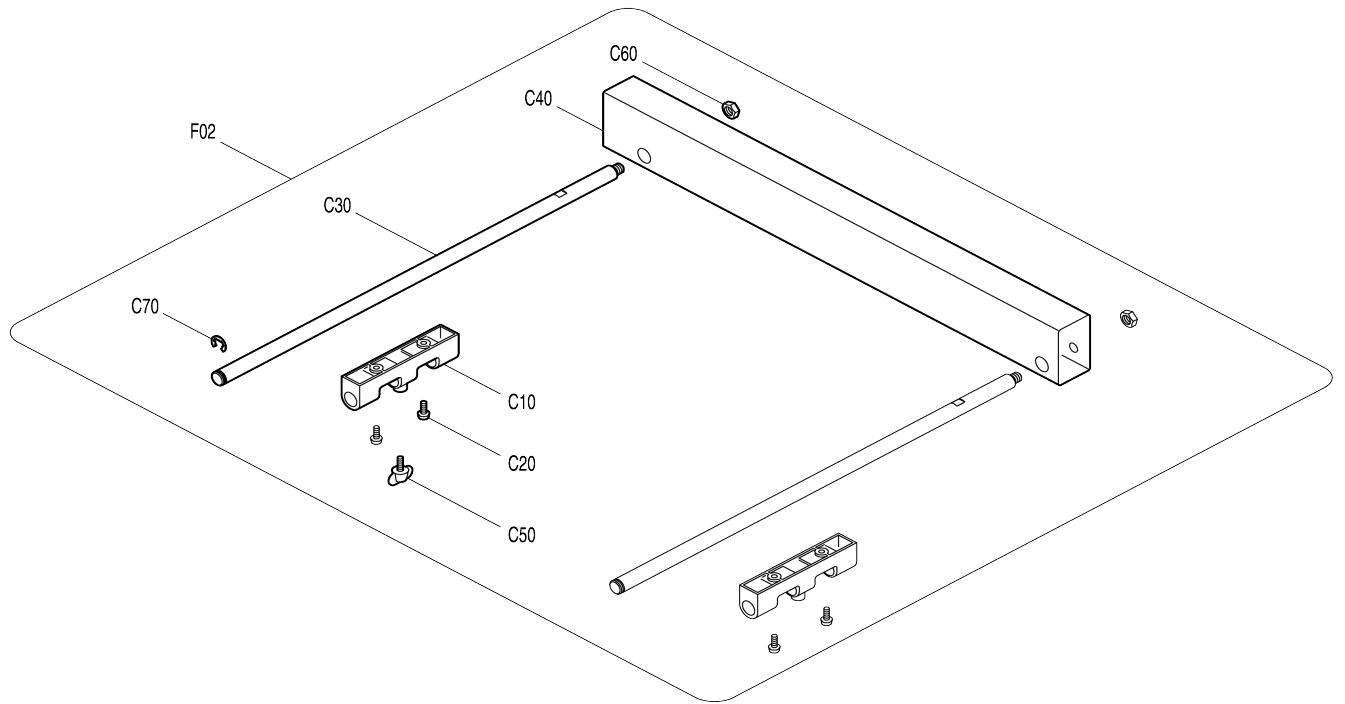
# Model No.2704 TABLE SAW 255MM



Model No.2704 TABLE SAW 255MM



Model No.2704 TABLE SAW 255MM



Model No.2704 TABLE SAW 255MM

Item No.	Parts No.	Description	Interchangability	Q'ty	New/Old	Note1	Note2
001	122738-8	SAFETY GUARD ASS'Y		1			
C10	890408-4	CAUTION LABEL		1			
D10		INC. 2-16					
002	268135-5	SHOULDER PIN 10		1			
003	253758-2	FLAT WASHER 10		1			
004	418910-1	SUB COVER		1			
005	418915-1	COVER		1			
006	817283-3	CAUTION LABEL		1			
007	253758-2	FLAT WASHER 10		1			
008	961015-1	STOP RING E-9		1			
009	252014-7	HEX. LOCK NUT M6-10		1			
010	253010-8	FLAT WASHER 6		1			
011	257752-6	SLEEVE 8		1			
012	257752-6	SLEEVE 8		1			
013	253731-2	FLAT WASHER 8		1			
014	324554-6	LOCK SHAFT		1			
015	345583-6	LOCK LEVER		1			
016	951104-0	SPRING PIN 4-12		1			
024	345530-7	RIVING KNIFE		1			
029	265995-6	TAPPING SCREW 4X18		2	*		
029-1	265A48-7	TAPPING SCREW 4X18	O	2			
030	416341-8	COVER		1			
031	265995-6	TAPPING SCREW 4X18		2	*		
031-1	265A48-7	TAPPING SCREW 4X18	O	2			
032	687054-0	STRAIN RELIEF		1			
033	154602-5	MOTOR HOUSING COMPLETE		1			
C10	643660-1	BRUSH HOLDER 6.5-13.5		2	*		
C11	643653-8	BRUSH HOLDER 6.5-13.5	O	2			
034	181044-0	CARBON BRUSH CB-153		1	*		
034-1	194985-1	CARBON BRUSH SET CB-153	O	1			
035	643650-4	BRUSH HOLDER CAP 6.5-13.5		2	*		
035-1	643650-4	BRUSH HOLDER CAP 6.5-13.5	O	2			
036	911383-2	PAN HEAD SCREW M6X60		4			
037	266029-8	TAPPING SCREW 5X65		2	*		
037-1	266352-1	TAPPING SCREW 5X65	O	2			
038	599511-5	FIELD ASS'Y 220-240V		1	*		
C10	654020-2	RING TERMINAL		2	*		
C20	654553-7	CONNECTOR 34137		2	*		
038-1	599546-6	FIELD ASS'Y 220-240V	S	1			
C10	654020-2	RING TERMINAL		2			
C20	654553-7	CONNECTOR 34137		2			
039	416331-1	BAFFLE PLATE		1			
040	211228-7	BALL BEARING 6202DDW		1			
041	253147-1	FLAT WASHER 15		1			
042	510071-4	ARMATURE ASS'Y 220V		1	*		
D10		INC. 40,41,43,44,102					
042-1	518765-5	ARMATURE ASS'Y 240V	S	1			

D10		INC. 40,41,43,44,102				
043	681640-9	INSULATION WASHER		1		
044	211088-7	BALL BEARING 6000DDW		1		
045	253198-4	FLAT WASHER 18		1		
046	261129-9	URETHANE WASHER 18		1		
048	921331-3	HEX. BOLT M6X20		2		
049	345525-0	PRESSURE PLATE		1		
050	317871-1	KNIFE HOLDER		1		
053	922334-0	HEX. SOCKET HEAD BOLT M6X20		2		
054	344536-2	GEAR HOUSING PLATE		1		
055	911213-7	PAN HEAD SCREW M5X12		1		
056	154603-3	GEAR HOUSING COMPLETE		1	*	
C10	263005-3	RUBBER PIN 6		1	*	
056-1	126760-7	GEAR HOUSING COMPLETE	<	1		
C10	263005-3	RUBBER PIN 6		1		
057	323736-7	GUIDE BAR		1		
058	266040-0	TAPPING SCREW CT 4X25		4		
059	416340-0	GUIDE BAR RETAINER		2		
060	266040-0	TAPPING SCREW CT 4X25		4		
061	416340-0	GUIDE BAR RETAINER		2		
062	323736-7	GUIDE BAR		1		
063	211051-0	BALL BEARING 609LLB		1		
064	154595-6	SPINDLE COMPLETE		1		
D10		INC. 65-68				
065	226602-6	HELICAL GEAR 42		1		
066	267170-0	FLAT WASHER 34		1		
067	211278-2	BALL BEARING 6203DDW		1		
068	324556-2	SPINDLE		1		
069	316933-2	BEARING BOX		1		
070	911233-1	PAN HEAD SCREW M5X20		4		
071	931502-4	HEX. NUT M10		1		
072	266040-0	TAPPING SCREW CT 4X25		2		
073	322968-3	SCREW BAR		1		
074	961016-9	STOP RING E-10		1		
075	416339-5	SCREW BAR RETAINER		1		
076	941302-4	FLAT WASHER 12		1		
077	226747-0	STRAIGHT BEVEL GEAR		1		
078	951116-3	SPRING PIN 4-20		1		
079	226747-0	STRAIGHT BEVEL GEAR		1		
080	941302-4	FLAT WASHER 12		1		
081	951116-3	SPRING PIN 4-20		1		
082	324562-7	LOCK LEVER CONNECTOR		1		
083	253024-7	FLAT WASHER 10		2		
084	231315-6	COMPRESSION SPRING 14		1		
085	322967-5	LOCK LEVER SHAFT		1		
086	922232-8	HEX. SOCKET HEAD BOLT M5X20		1		
087	272248-6	LEVER 120		1		
088	324563-5	HANDLE SHAFT		1		
089	266034-5	TAPPING SCREW CT 4X16		2		
090	253143-9	FLAT WASHER 12		1		
091	213107-5	O RING 12		1		
092	253052-2	FLAT WASHER 12		1		



093	214114-1	PLANE BEARING 12		1		
094	345520-0	STAY		1		
095	344543-5	POINTER		1		
096	922103-9	HEX. SOCKET HEAD BOLT M4X6		1		
097	271074-0	ARM 60		1		
098	911223-4	PAN HEAD SCREW M5X16		1		
099	251382-5	+ PAN HEAD SCREW M5		1		
100	271423-1	KNOB 32		1		
101	267010-2	FLAT WASHER 5		1		
102	240003-4	FAN 80		1		
103	271073-2	HANDLE 100		1		
104	224347-0	OUTER FLANGE 53		1	*	
104-1	224482-4	OUTER FLANGE 53	<	1		
105	252155-9	HEX. NUT M12-19		1		
106	224401-0	INNER FLANGE 53		1		
107	273523-3	GRIP		1		
108	345534-9	HANDLE PLATE		1		
109	257161-9	RING 4		1		
110	941051-3	FLAT WASHER 4		1		
111	922116-0	HEX. SOCKET HEAD BOLT M4X12		1		
112	252130-5	HEX. LOCK NUT M10-17		1		
113	941251-5	FLAT WASHER 10		2		
114	911223-4	PAN HEAD SCREW M5X16		4		
115	345539-9	HANDLE PLATE HOLDER		1		
116	345534-9	HANDLE PLATE		1		
117	257161-9	RING 4		1		
118	941051-3	FLAT WASHER 4		1		
119	922116-0	HEX. SOCKET HEAD BOLT M4X12		1		
120	257753-4	SLEEVE 10		1		
121	265536-8	HEX.BOLT M10X60		1		
122	273523-3	GRIP		1		
123	265382-9	HEX. SOCKET HEAD BOLT M5X20		1		
124	324559-6	HOOK RING		1		
125	233229-5	COMPRESSION SPRING 8		1		
126	418655-1	ROD HOLDER		1		
127	418655-1	ROD HOLDER		1		
128	345535-7	JOINT PLATE		1		
130	922116-0	HEX. SOCKET HEAD BOLT M4X12		2		
131	922116-0	HEX. SOCKET HEAD BOLT M4X12		1		
132	941051-3	FLAT WASHER 4		1		
133	257161-9	RING 4		1		
134	324560-1	ROD JOINT		1	*	
134-1	324675-4	ROD JOINT	S	1		
135	324557-0	ROD R		1	*	
135-1	324673-8	ROD R	S	1		
136	324558-8	ROD F		1	*	
136-1	324674-6	ROD F	S	1		
137	911128-8	P.H.SCREW M4X16 WITH WR		2		
138	911128-8	P.H.SCREW M4X16 WITH WR		2		
140	922116-0	HEX. SOCKET HEAD BOLT M4X12		2		
141	922116-0	HEX. SOCKET HEAD BOLT M4X12		1		

142	941051-3	FLAT WASHER 4		1		
143	257161-9	RING 4		1		
144	324560-1	ROD JOINT		1	*	
144-1	324675-4	ROD JOINT	S	1		
145	911128-8	P.H.SCREW M4X16 WITH WR		2		
146	418655-1	ROD HOLDER		1		
147	911323-0	PAN HEAD SCREW M6X16		2		
148	687049-3	STRAIN RELIEF		1		
149	251308-7	+ PAN HEAD SCREW M4X10		1		
150	664094-5	POWER SUPPLY CORD 1.5-5-0.5		1		
151	345628-0	PLATE		1		
152	416333-7	RACK PLATE		1		
153	911213-7	PAN HEAD SCREW M5X12		2		
154	418655-1	ROD HOLDER		1		
155	233229-5	COMPRESSION SPRING 8		1		
156	324559-6	HOOK RING		1		
157	265382-9	HEX. SOCKET HEAD BOLT M5X20		1		
158	911128-8	P.H.SCREW M4X16 WITH WR		2		
159	317010-3	ADJUST BLOCK		1	*	
159-1	318020-3	ADJUST BLOCK	<	1		
160	344529-9	SLIDE SEAT		2		
161	232174-1	LEAF SPRING		2		
162	345535-7	JOINT PLATE		1		
163	416439-1	DUST GUIDE		1		
164	266034-5	TAPPING SCREW CT 4X16		2		
165	317880-0	FRAME		1	*	
165-1	318253-0	FRAME	O	1		
166	418917-7	DUST JOINT		1		
167	266061-2	TAPPING SCREW BIND CT 4X8		2		
168	154599-8	FRAME COVER COMPLETE		1		
169	911114-9	PAN HEAD SCREW M4X10		1		
170	911333-7	PAN HEAD SCREW M6X20		4		
171	416332-9	FRAME RETAINER		2		
172	265460-5	HEX. BOLT M6X20		2		
174	266300-0	TAPPING SCREW 4X18		2		
175	413097-4	SLIDE COVER		1		
176	266035-3	TAPPING SCREW BIND CT 5X12		4		
177	418918-5	SWITCH BOX		1		
178	682511-3	GROMMET		1	*	
178-1	682103-8	GROMMET	<	1		
179	265995-6	TAPPING SCREW 4X18		2	*	
179-1	265A48-7	TAPPING SCREW 4X18	O	2		
180	687054-0	STRAIN RELIEF		1		
181	418912-7	SWITCH BASE		1		
183	265995-6	TAPPING SCREW 4X18		2	*	
183-1	265A48-7	TAPPING SCREW 4X18	O	2		
184	682511-3	GROMMET		1	*	
184-1	682103-8	GROMMET	<	1		
185	265995-6	TAPPING SCREW 4X18		2	*	
185-1	265A48-7	TAPPING SCREW 4X18	O	2		
186	687052-4	STRAIN RELIEF		1		
190	266192-7	TAPPING SCREW 4X14		3		

191	816844-6	INNER SCALE PLATE		1		
192	251308-7	+ PAN HEAD SCREW M4X10		1		
193	911253-5	PAN HEAD SCREW M5X30		2		
194	418908-8	INNER RAIL END		1		
195	922146-1	HEX. SOCKET HEAD BOLT M4X25		1		
196	154705-5	FRONT OUTER RAIL COMPLETE		1		
C10	816843-8	OUTER SCALE PLATE		1		
199	317877-9	SUB TABLE		1		
200	317876-1	TABLE		1	*	
200-1	317876-1	TABLE	<	1		
201	922126-7	HEX. SOCKET HEAD BOLT M4X16		1		
202	317868-0	FRONT INNER RAIL		1	*	
202-1	158104-3	FRONT INNER RAIL COMPLETE	<	1		
203	911233-1	PAN HEAD SCREW M5X20		4		
206	418907-0	OUTER RAIL END		1		
207	265045-7	+ PAN HEAD SCREW M5X18		2		
208	125279-3	CENTER COVER ASS'Y		1	*	
D10		INC. 211,212				
208-1	126901-5	CENTER COVER ASSEMBLY	O	1		
D10		INC. 211,212				
211	317875-3	CENTER COVER		1	*	
211-1	319717-7	CENTER COVER	O	1		
212	266264-8	H.S.SET SCREW(FLAT POINT)M5X 6		4		
214	418907-0	OUTER RAIL END		1		
215	911233-1	PAN HEAD SCREW M5X20		4		
216	317867-2	REAR OUTER RAIL		1		
217	345529-2	RAIL STOPPER		1		
218	251308-7	+ PAN HEAD SCREW M4X10		1		
220	922126-7	HEX. SOCKET HEAD BOLT M4X16		1		
221	317869-8	REAR INNER RAIL		1	*	
221-1	158103-5	REAR INNER RAIL COMPLETE	<	1		
222	345533-1	BASE FRONT COVER		1		
223	266020-6	TAPPING SCREW 4X12		4	*	
223-1	266192-7	TAPPING SCREW 4X14	O	4		
225	911253-5	PAN HEAD SCREW M5X30		2		
226	922146-1	HEX. SOCKET HEAD BOLT M4X25		1		
227	418908-8	INNER RAIL END		1		
228	286212-1	CAP 20		4		
229	154608-3	BASE COMPLETE		1		
C10	810107-2	CAUTION LABEL		1		
C20	819176-0	MAKITA LOGO PLATE		3		
230	265995-6	TAPPING SCREW 4X18		2	*	
230-1	265A48-7	TAPPING SCREW 4X18	O	2		
231	687052-4	STRAIN RELIEF		1		
232	682516-3	CORD GUARD 9.3-85		1	*	
232-1	682504-0	CORD GUARD 10-85	O	1		
233	665865-3	POWER SUPPLY CORD 1.0-2-2.5		1		
234	931302-2	HEX. NUT M6		2		
235	271318-8	KNOB 37		2		
236	941151-9	FLAT WASHER 6		2		
237	921342-8	HEX. BOLT M6X25		2		

238	271320-1	KNOB 37		1		
239	252197-3	HEX.NUT M14		1		
240	421926-7	HOLDER		1		
241	931402-8	HEX. NUT M8		1		
242	253797-2	FLAT WASHER 14		1		
243	265537-6	HEX.BOLT M14X65		1		
244	921462-8	HEX. BOLT M8X40		1		
245	861373-4	2704 NAME PLATE		1		
246	911344-2	PAN HEAD SCREW M6X25		4		
247	317865-6	ANGLE RULE BLOCK		1		
248	266364-4	R.H.S.NECK BOLT M8X35 (S TYPE)		1		
249	345522-6	ANGLE RULE GUIDE		1		
250	256769-6	PIN 6		1		
251	317872-9	ANGLE RAIL		1		
252	266378-3	H.S.SET SCREW M5X5		2		
253	345523-4	ANGLE STOPPER		1		
254	324530-0	SCALE PIN		1		
255	911138-5	P.H.SCREW M4X20 WITH WR		3		
256	931102-0	HEX. NUT M4		3		
257	252650-9	THUMB NUT M8		1		
258	273524-1	GRIP 28		1	*	
258-1	273527-5	GRIP 28	O	1		
259	922333-2	HEX.SOCKET HD BOLT M6X20		4		
260	317897-3	RULER		1		
261	345521-8	RULE GUIDE		1		
262	317864-8	RULER ADAPTER		1		
263	911108-4	PAN HEAD SCREW M4X8		2		
264	418945-2	LENS		1		
265	418943-6	COVER		1		
266	317895-7	RULER TOP HOLDER		1	*	
266-1	154699-4	RULE HOLDER COMPLETE	X	1		
C10	816836-5	INDICATION LABEL		1		
267	265768-7	THUMB SCREW M6X52		2		
268	418948-6	SQUARE GUIDE		1		
269	265954-0	TAPPING SCREW BIND PT3X8		1		
270	231485-1	COMPRESSION SPRING 4		1		
271	418947-8	RULE HOLDER GUIDE		1		
272	231485-1	COMPRESSION SPRING 4		1		
273	345560-8	LOCK PLATE		1	*	
273-1	345560-8	LOCK PLATE	<	1		
274	265155-0	+PAN HEAD SCREW M5X25		1		
275	418946-0	LEVER		1		
276	231297-2	COMPRESSION SPRING 9		1		
277	418944-4	LOCK LEVER		1		
278	253874-0	FLAT WASHER 4		1		
279	266020-6	TAPPING SCREW 4X12		1		
280	911133-5	PAN HEAD SCREW M4X18		4		
281	911238-1	PAN HEAD SCREW M5X22		2		
282	345566-6	HANDLE CAM		1		
283	345559-3	HANDLE CAM SUPPORT		1	*	
283-1	140D16-8	HANDLE CAM SUPPORT COMPLE TE	X	1		

C10	345559-3	HANDLE CAM SUPPORT		1		
D10		INC. 282,284,285,287-289				
284	256029-6	PIN 8		1	*	
284-1	256A35-7	PIN 8	O	1		
285	256200-2	PIN 5		1	*	
285-1	256A36-5	PIN 5	O	1		
286	911118-1	PAN HEAD SCREW M4X12		4		
287	345564-0	LOCK PLATE STAY		1		
288	256200-2	PIN 5		1	*	
288-1	256A36-5	PIN 5	O	1		
289	345565-8	HOOK JOINT		1		
290	265154-2	+P.H.SCREW M5X655		1		
291	324555-4	NUT M5		1		
292	256262-0	PIN 5		1	*	
292-1	256A37-3	PIN 5	O	1		
293	345562-4	RULER TOP CONNECTER		1		
294	256262-0	PIN 5		1	*	
294-1	256A37-3	PIN 5	O	1		
295	231683-7	TORSION SPRING 8		1		
296	313123-8	RULER TOP		1		
297	345563-2	RULER TOP GUIDE		1		
298	911118-1	PAN HEAD SCREW M4X12		2		
299	911118-1	PAN HEAD SCREW M4X12		3		
300	345561-6	RULER TOP SUPPORT		1	*	
300-1	140D15-0	RULER TOP SUPPORT COMPLETE	X	1		
C10	345561-6	RULER TOP SUPPORT		1		
D10		INC. 291-295,297,301				
301	256262-0	PIN 5		1	*	
301-1	256A37-3	PIN 5	O	1		
302	154699-4	RULE HOLDER COMPLETE		1	*	
C10	816836-5	INDICATION LABEL		1	*	
302-1	317895-7	RULER TOP HOLDER	X	1		
303	317874-5	ANGLE RULE		1	*	
303-1	317873-7	ANGLE RULE	X	1		
304	122734-6	ANGLE RULE ASS'Y		1	*	
D10		INC. 247-258,303,306-309				
304-1	127069-0	ANGLE RULE ASSEMBLY	O	1		
D10		INC. 247-258,303,306-309				
305	122739-6	RULER ASS'Y		1	*	
D10		INC. 259-302				
305-1	122739-6	RULER ASS'Y	<	1		
D10		INC. 259-302				
306	265160-7	+ COUNTERSUNK HEAD SCREW M4X8		3		
308	267305-3	FLAT WASHER 5/16"		1		
309	419219-4	ANGLE RULE COVER		1		
310	257262-3	RING 16		1		
311	262559-7	SLEEVE 14		1		
312	345536-5	BASE UNDER COVER		1		
313	266020-6	TAPPING SCREW 4X12		4	*	
313-1	266192-7	TAPPING SCREW 4X14	O	4		
314	418618-7	PIN		1		

315	418618-7	PIN		1			
316	418616-1	SWITCH BUTTON ON		1			
317	443103-1	FELT RING 6		1			
318	443103-1	FELT RING 6		1			
319	231025-5	COMPRESSION SPRING 8		1			
320	231025-5	COMPRESSION SPRING 8		1			
321	253186-1	FLAT WASHER 7		1			
322	253186-1	FLAT WASHER 7		1			
323	418617-9	SWITCH BUTTON OFF		1			
324	652772-9	RELAY 305.232.01		1	*		
324-1	652772-9	RELAY 305.232.01	O	1			
325	631613-2	SOFT START CIRCUIT		1			
326	654561-8	TERMINAL BLOCK		1			
327	645006-7	NOISE SUPPRESSOR		1			
328	645105-5	NOISE SUPPRESSOR		1			
329	646049-2	CHOKE COIL		1			
330	265740-9	SCREW M5X15		1	*		
330-1	265740-9	SCREW M5X15	O	2			
331	317879-5	SLIDE ROD HOLDER		2			
332	324564-3	REAR ROD		2			
333	345537-3	REAR TABLE		1			
334	911223-4	PAN HEAD SCREW M5X16		4	*		
334-1	922221-3	HEX. SOCKET HEAD BOLT M5X16	O	4			
335	931502-4	HEX. NUT M10		2			
336	961016-9	STOP RING E-10		1	*		
336-1	961016-9	STOP RING E-10	O	2			
337	911233-1	PAN HEAD SCREW M5X20		1			
A01	194094-6	TIPPED SAW BLADE 260 SET		1	*		
A01-1	B-04999	T.C.T. SAW BLADE 260X30X24T	X	1	*		
A01-2	B-17712	T.C.T. SAW BLADE 260X30X24T	O	1			
A02	419093-0	JOINT		1			
A03	416772-1	PUSH STICK		1			
A04	781038-1	WRENCH 19		1			
A05	782024-5	WRENCH 13-22		1			
A06	783203-8	HEX. WRENCH 5		1			
E01	213023-1	O RING 4		1			
F02	194086-5	LEFT TABLE SET		1			
C10	317879-5	SLIDE ROD HOLDER		2			
C21	922221-3	HEX. SOCKET HEAD BOLT M5X16	O	4			
C30	324565-1	LEFT ROD		2			
C40	345538-1	LEFT TABLE		1			
C51	265740-9	SCREW M5X15	O	2			
C60	931502-4	HEX. NUT M10		2			
C71	961016-9	STOP RING E-10	O	2			
C80	783222-4	HEX. WRENCH 4		1			
F03	194087-3	REAR TABLE SET		1			
C11	265740-9	SCREW M5X15	O	2			
C20	317879-5	SLIDE ROD HOLDER		2			
C30	324564-3	REAR ROD		2			
C40	345537-3	REAR TABLE		1			
C51	922221-3	HEX. SOCKET HEAD BOLT M5X16	O	4			

C60	931502-4	HEX. NUT M10		2			
C71	961016-9	STOP RING E-10	O	2			
C80	783222-4	HEX. WRENCH 4		1			
F04	194093-8	STAND SET		1			

Please state Parts No. when your order.

Print Date 10/31/2023