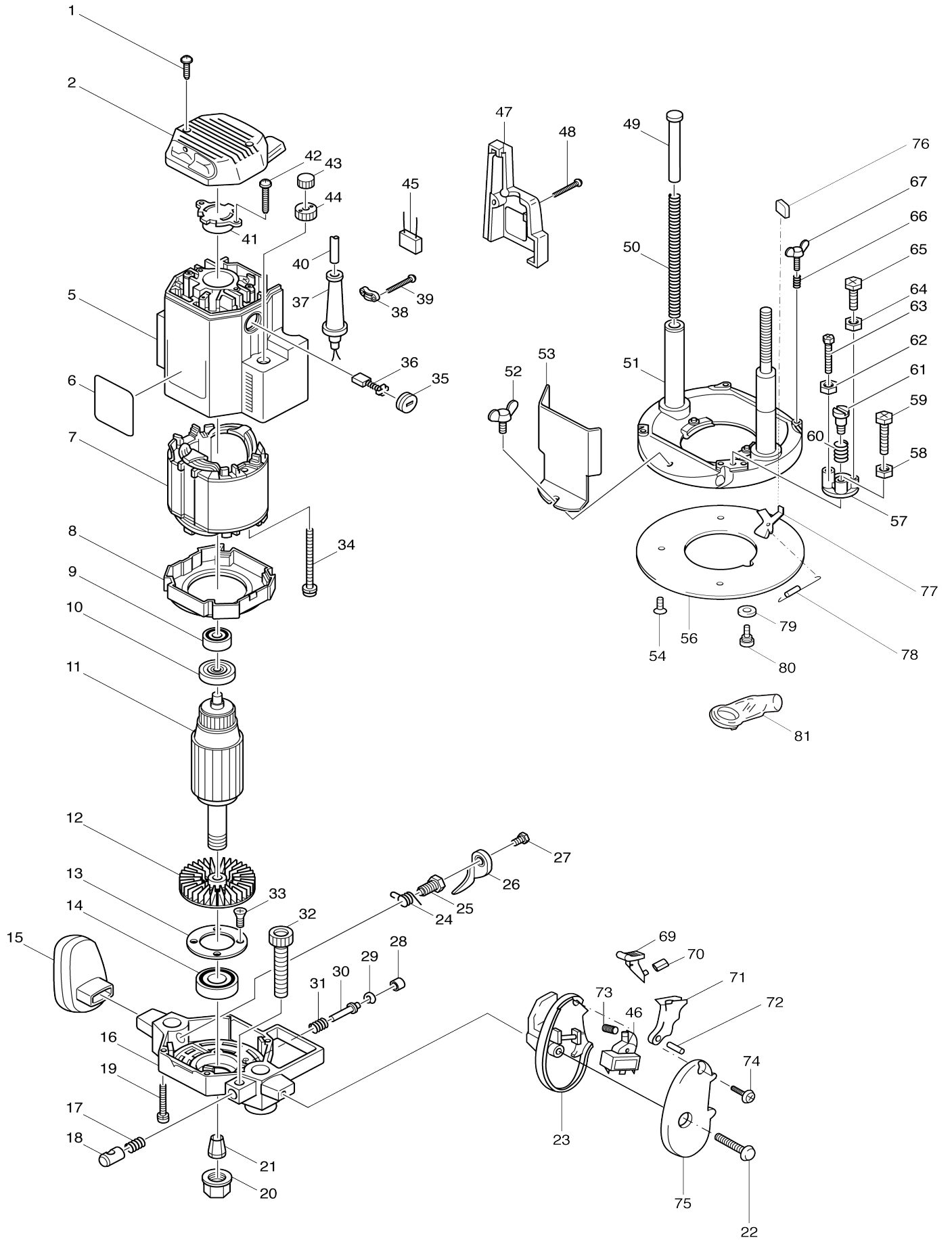


Model No.3612 ROUTER 12MM



Model No.3612 ROUTER 12MM

Item No.	Parts No.	Description	Interchangability	Q'ty	New/Old	Note1	Note2
001	266021-4	TAPPING SCREW 5X20		2			
002	415450-0	REAR COVER		1			
005A_	159730-1	MOTOR HOUSING COMPLETE		1			
C10	632281-4	SUPPORT UNIT		1			
C20	643705-5	BRUSH HOLDER		2	*		
C21	643707-1	BRUSH HOLDER	O	2			
006-1	851516-6	NAME PLATE 3612		1			
007C_	636058-9	FIELD 220V		1			
008	415069-5	BAFFLE PLATE		1			
009	211092-6	BALL BEARING 629DDW		1			
010	681633-6	INSULATION WASHER		1			
011C_	516588-5	ARMATURE ASS'Y 220V		1			
D10		INC. 9,10,12					
012	241878-4	FAN 83		1			
013	285657-0	BEARING RETAINER 50		1			
014	211326-7	BALL BEARING 6004DDW		1	*		
014-1	211326-7	BALL BEARING 6004DDW	O	1			
015	415070-0	KNOB (L)		1			
016	150443-7	MOTOR BRACKET COMPLETE		1	*		
016-1	152567-5	MOTOR BRACKET COMPLETE		1			
017	231142-1	COMPRESSION SPRING 10		1			
018	323559-3	HALF NUT		1			
019	911263-2	PAN HEAD SCREW M5X40		4			
020	763629-0	COLLET NUT		1			
021	763628-2	COLLET CONE 12MM		1			
022	911368-8	PAN HEAD SCREW M6X45		2			
023A_	415407-1	KNOB (R)		1			
024	231618-8	TORSION SPRING 15		1			
025	266015-9	SET BOLT M10		1			
026	344097-2	LOCK LEVER		1			
027	265269-5	HEX. BOLT M5X12		1			
028	286235-9	CAP 11		1			
029	962062-5	RETAINING RING R-12		1			
030	256606-4	PIN 6		1			
031	231037-8	COMPRESSION SPRING 7		1			
032	251861-3	SCREW M10X77		1			
033	251295-0	+ COUNTERSUNK HEAD SCREW M4X14		4	*		
033-1	251295-0	+ COUNTERSUNK HEAD SCREW M4X14		2			
034	911944-8	PAN HEAD SCREW M5X80		2			
035	643700-5	BRUSH HOLDER CAP 7-18		2			
036	191953-5	CARBON BRUSH CB-203		1	*		
036-1	194991-6	CARBON BRUSH SET CB203	O	1			
037A1	682503-2	CORD GUARD 8-90		1			
038B_	687052-4	STRAIN RELIEF		1			
039	265995-6	TAPPING SCREW 4X18		2			
040K_	666216-3	POWER SUPPLY CORD 1.5-2-2.5		1			

041	316499-2	BEARING BOX		1		
042	265995-6	TAPPING SCREW 4X18		2		
043	252625-8	NUT M10		1		
044	410129-8	NYLON NUT M10		1		
045A_	645253-0	NOISE SUPPRESSOR		1		
046A_	651419-2	SWITCH ALD164		1	*	
046A1	651430-4	SWITCH	O	1		
047A_	415409-7	COVER		1		
048	265995-6	TAPPING SCREW 4X18		2		
049	314062-5	POLE		1		
050	231329-5	COMPRESSION SPRING 11		2		
051A_	151407-4	BASE COMPLETE		1		
052	924206-5	WING BOLT M5X10		1		
053	410128-0	CHIP DEFLECTOR		1		
054	912112-6	COUNTERSUNK HEAD SCREW M4 X10		4		
056A_	413063-1	BASE PLATE		1		
057	134205-1	STOPPER ASS'Y		1		
D10		INC. 58,59,62-65				
058	931202-6	HEX. NUT M5		1	*	
059	265335-8	+ HEX. BOLT M5X28		1	*	
059-1	265587-1	+HEX. BOLT M5X20	S	1		
060	231231-2	COMPRESSION SPRING 12		1		
061	251423-7	- FLAT HEAD SCREW M6		1		
062	931202-6	HEX. NUT M5		1	*	
063	265336-6	+ HEX. BOLT M5X40		1	*	
063-1	265587-1	+HEX. BOLT M5X20	S	1		
064	931202-6	HEX. NUT M5		1	*	
065	265333-2	+ HEX. BOLT M5X16		1	*	
065-1	265586-3	+HEX. BOLT M5X14	S	1		
066	231240-1	COMPRESSION SPRING 7		2		
067	924216-2	WING BOLT M5X15		2		
069	415411-0	LOCK OFF BUTTON		1		
070	233024-3	COMPRESSION SPRING 4		1		
071	415158-6	SWITCH LEVER		1		
072	256221-4	PIN 3		1		
073	231372-4	COMPRESSION SPRING 5		1		
074	265995-6	TAPPING SCREW 4X18		1		
075	415408-9	KNOB COVER		1		
076	286239-1	CAP 14		1		
077	344098-0	LOCK PLATE		1		
078	231794-8	TENSION SPRING 5		2		
079	253811-4	FLAT WASHER 5		2		
080	266016-7	SET BOLT M5X10		2		
081	415412-8	DUST NOZZLE		1		
A01	342428-9	STRAIGHT GUIDE		1		
A02	781213-9	WRENCH 8		1	*	
A03-1	781030-7	WRENCH 24		1	*	
A03-2	781034-9	WRENCH 8-24	<	1		
A06	763804-8	COLLET SLEEVE FOR 8 MM BIT		1		
A07	763801-4	COLLET SLEEVE FOR 6 MM BIT		1		
A08	924311-8	WING BOLT M6X12		1		

A09	942151-2	SPRING WASHER 6		1		
A10	941151-9	FLAT WASHER 6		1		
A11	122256-6	GUIDE HOLDER ASS'Y		1		
D10		INC. A08-A10,A12				
A12	251830-4	SCREW M10X34		1		
E01	415412-8	DUST NOZZLE		1	*	
E02	231372-4	COMPRESSION SPRING 5		1	*	
E03	231794-8	TENSION SPRING 5		2	*	
E04	233024-3	COMPRESSION SPRING 4		1	*	
E05	256221-4	PIN 3		1	*	
E06	265995-6	TAPPING SCREW 4X18		1	*	
E07	266016-7	SET BOLT M5X10		2	*	
E08	286239-1	CAP 14		1	*	
E09	344098-0	LOCK PLATE		1	*	
E10	415158-6	SWITCH LEVER		1	*	
E11	415408-9	KNOB COVER		1	*	
E12	415411-0	LOCK OFF BUTTON		1	*	
E15	253811-4	FLAT WASHER 5		2	*	
F02	199140-0	GUIDE RAIL 1000 SET		1		

Please state Parts No. when your order.

Print Date 11/06/2023