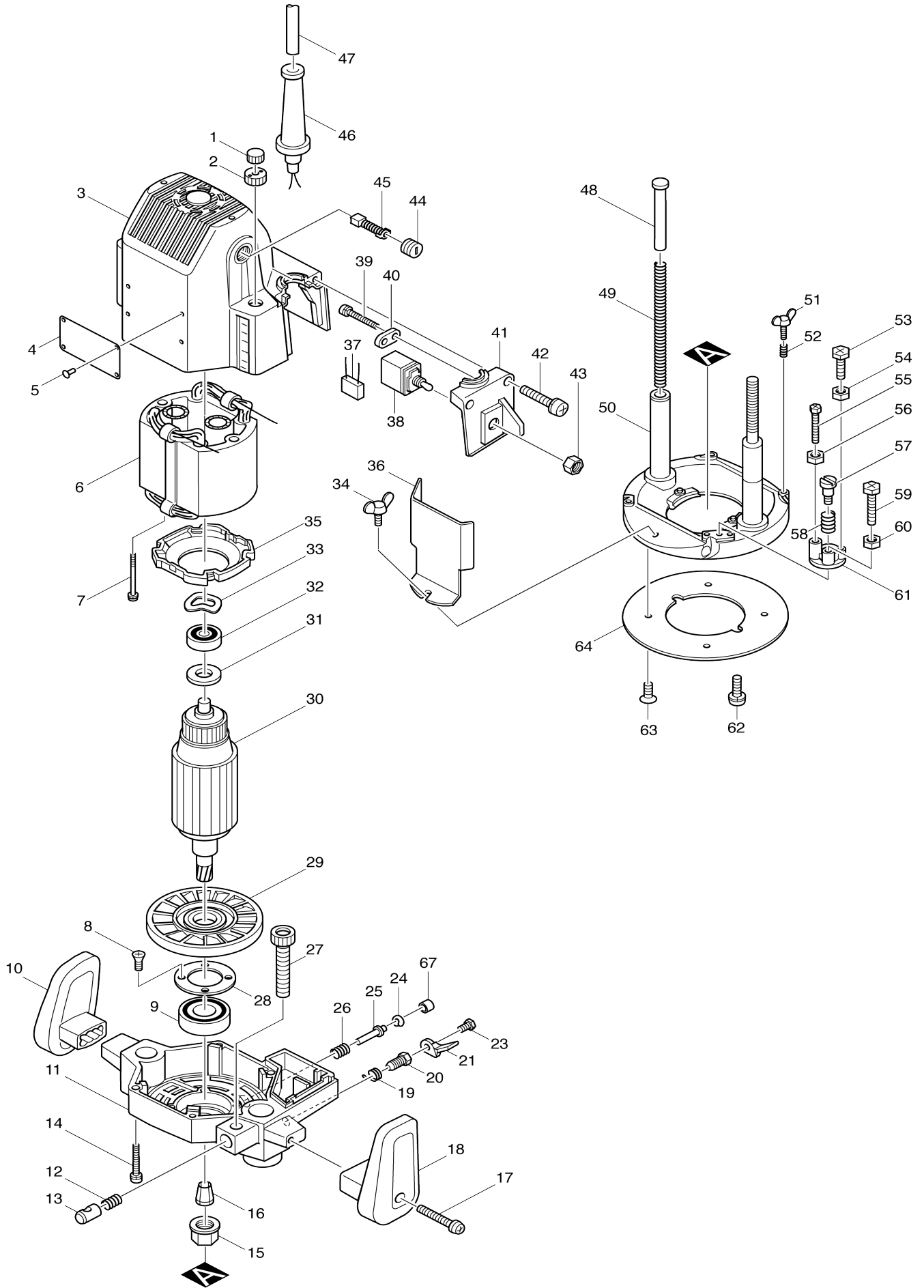


Model No.3612BR ROUTER 12MM



Model No.3612BR ROUTER 12MM

Item No.	Parts No.	Description	Interchangability	Q'ty	New/Old	Note1	Note2
001	252625-8	NUT M10		1			
002	410129-8	NYLON NUT M10		1			
003	157109-0	MOTOR HOUSING		1			
C10	643653-8	BRUSH HOLDER 6.5-13.5		2	*		
C11	643660-1	BRUSH HOLDER 6.5-13.5	O	2	*		
C20	816410-9	SCALE LABEL		1			
004	854939-7	NAME PLATE 3612BR		1	*		
004-1	851519-0	NAME PLATE 3612BR	X	1			
005	953106-2	RIVET 0-5		4	*		
007-1	911938-3	PAN HEAD SCREW M5X85		2			
008-1	251295-0	+ COUNTERSUNK HEAD SCREW M4X14		4	*		
008-2	251295-0	+ COUNTERSUNK HEAD SCREW M4X14		2			
009-1	211326-7	BALL BEARING 6004DDW		1	*		
009-2	211326-7	BALL BEARING 6004DDW	O	1			
010-1	410127-2	KNOB L		1			
011-2	155763-4	MOTOR BRACKET		1	*		
011-3	155763-4	MOTOR BRACKET	O	1			
012	231142-1	COMPRESSION SPRING 10		1			
013	323559-3	HALF NUT		1			
014	911261-6	PAN HEAD SCREW M5X40		4	*		
014-1	911263-2	PAN HEAD SCREW M5X40	O	4			
015	763629-0	COLLET NUT		1			
016	763628-2	COLLET CONE 12MM		1			
017	911363-8	PAN HEAD SCREW M6X40		2			
018-1	410126-4	KNOB R		1			
019-1	231574-2	TORSION SPRING 15		1			
020	265813-8	SET BOLT M10		1			
021	341933-3	LOCK LEVER		1			
023	265269-5	HEX. BOLT M5X12		1			
024	962062-5	RETAINING RING R-12		1			
025	256606-4	PIN 6		1			
026	231037-8	COMPRESSION SPRING 7		1			
027	251861-3	SCREW M10X77		1			
028	285657-0	BEARING RETAINER 50		1			
029	241823-9	FAN 92		1			
030B1	514823-5	ARMATURE ASS'Y 220V		1			
D12		INC. 29,31,32					
031-1	681624-7	INSULATION WASHER		1	*		
031-2	681635-2	INSULATION WASHER	O	1			
032-4	211087-9	BALL BEARING 6200DDW		1			
033	253913-6	WAVE WASHER 20		1			
034	924206-5	WING BOLT M5X10		1			
035	410258-7	BAFFLE PLATE		1			
036	410128-0	CHIP DEFLECTOR		1			
037B1	645208-5	NOISE SUPPRESSOR		1			
038	651471-0	SWITCH STE215K		1	*		

038-1	651481-7	SWITCH STE215K	O	1		
039-3	911133-5	PAN HEAD SCREW M4X18		2		
040A_	687001-1	STRAIN RELIEF		1		
041	410297-7	SWITCH COVER		1		
042-1	911143-2	PAN HEAD SCREW M4X22		2		
043	652102-4	HEX. NUT M12		1		
044	643650-4	BRUSH HOLDER CAP 6.5-13.5		2	*	
044-1	643650-4	BRUSH HOLDER CAP 6.5-13.5	O	2		
045-1	181044-0	CARBON BRUSH CB-153		1	*	
045-2	194985-1	CARBON BRUSH SET CB-153	O	1		
046B_	682516-3	CORD GUARD 9.3-85		1	*	
046B1	682504-0	CORD GUARD 10-85	O	1		
047Q_	665865-3	POWER SUPPLY CORD 1.0-2-2.5		1		
048	314062-5	POLE		1		
049	231329-5	COMPRESSION SPRING 11		2		
050	151158-9	BASE COMPLETE		1		
051-1	924216-2	WING BOLT M5X15		2		
052-1	231240-1	COMPRESSION SPRING 7		2		
053-1	265333-2	+ HEX. BOLT M5X16		1	*	
053-2	265586-3	+HEX. BOLT M5X14	S	1		
054	931202-6	HEX. NUT M5		1	*	
055-1	265336-6	+ HEX. BOLT M5X40		1	*	
055-2	265587-1	+HEX. BOLT M5X20	S	1		
056	931202-6	HEX. NUT M5		1	*	
057	251423-7	- FLAT HEAD SCREW M6		1		
058	231231-2	COMPRESSION SPRING 12		1		
059-1	265335-8	+ HEX. BOLT M5X28		1	*	
059-2	265587-1	+HEX. BOLT M5X20	S	1		
060	931202-6	HEX. NUT M5		1	*	
061	134205-1	STOPPER ASS'Y		1		
D10		INC. 53-56,59-61				
062	911206-4	PAN HEAD SCREW M5X10		2		
063-1	912112-6	COUNTERSUNK HEAD SCREW M4 X10		4		
064	413024-1	BASE PLATE		1		
067	286235-9	CAP 11		1		
400	154233-0	HOLDER COMPLETE		1		
401	251830-4	SCREW M10X34		1		
407	342428-9	STRAIGHT GUIDE		1		
408	941151-9	FLAT WASHER 6		1		
409	942151-2	SPRING WASHER 6		1		
410	924311-8	WING BOLT M6X12		1		
413	781213-9	WRENCH 8		1	*	
414-1	781030-7	WRENCH 24		1	*	
414-2	781034-9	WRENCH 8-24	<	1		
415-3	344364-5	TEMPLET GUIDE 16		1		
416A_	793060-6	STRAIGHT BIT 12		1	*	
416A1	D-07892	STRAIGHT BIT 12	<	1		
419	763801-4	COLLET SLEEVE FOR 6 MM BIT		1		
420	763804-8	COLLET SLEEVE FOR 8 MM BIT		1		
500	122256-6	GUIDE HOLDER ASS'Y		1		
D10		INC. 400,401,408-410				

900	232103-4	LEAF SPRING		1			
901	911219-5	PAN HEAD SCREW M5X14		1			
F01	199140-0	GUIDE RAIL 1000 SET		1			

Please state Parts No. when your order.

Print Date 11/06/2023