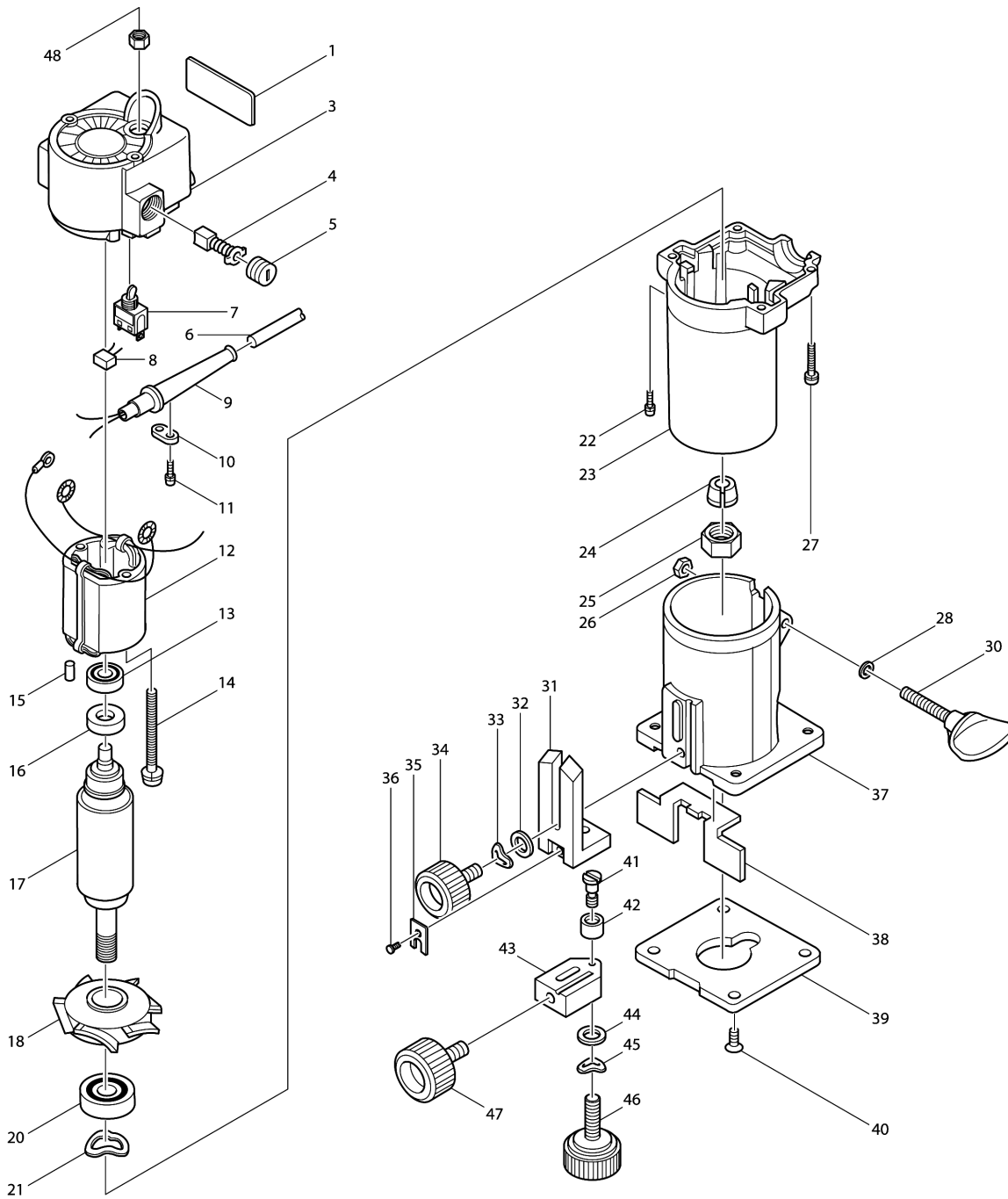


Model No.3700B TRIMMER 6MM



Model No.3700B TRIMMER 6MM

Item	Parts No.	Description	I/C	Qty	New/Old	Opt. 1	Opt. 2	Note
001-1	857337-4	NAME PLATE 3700B		1				
003-1	159620-8	MOTOR REAR HOUSING COMPLETE		1				
C10	643556-6	BRUSH HOLDER 5-8		2				
D10		INC. 15						
004B_	181021-2	CARBON BRUSH CB-51		1	*			
004B1	194963-1	CARBON BRUSH SET CB-51	O	1				
005	643550-8	BRUSH HOLDER CAP 5-8		2				
006U_	666066-6	POWER SUPPLY CORD 1.0-2-2.5		1				
007C_	651472-8	SWITCH ST220KDY-1		1				
008G_	645105-5	NOISE SUPPRESSOR		1				
009A_	682502-4	CORD GUARD 8-85		1				
010	687001-1	STRAIN RELIEF		1				
011-1	911133-5	PAN HEAD SCREW M4X18		2				
012G_	528095-6	FIELD ASS'Y 220V		1				
C10	654018-9	RING TERMINAL		2				
C20	654501-6	CONNECTOR P-1.25		2				
013	211028-5	BALL BEARING 627LB		1				
014-1	911200-6	PAN HEAD SCREW M4X70		2				
015	263002-9	RUBBER PIN 4		1				
016	681614-0	INSULATION WASHER		1				
017C2	511698-3	ARMATURE ASS'Y 220V		1				
D12		INC. 13,16,18,20						
018-1	241516-8	FAN 52		1	*			
018-2	241615-6	FAN 52	X	1				
020-1	211227-9	BALL BEARING 6002DDW		1	*			
020-2	211236-8	BALL BEARING 6002DDW	O	1				
021	253905-5	WAVE WASHER 23		1				
022	911133-5	PAN HEAD SCREW M4X18		2				
023-1	415132-4	MOTOR HOUSING		1				
024	763607-0	COLLET CONE 6MM		1	*			
024-1	763607-0	COLLET CONE 6MM	O	1				
025	763606-2	COLLET NUT 6		1				
026-1	252156-7	HEX. NUT M5-8		1				
027	911148-2	PAN HEAD SCREW M4X25		2				
028	941101-4	FLAT WASHER 5		1				
030-1	251867-1	THUMB SCREW M5X30		1				
031	312396-0	GUIDE HOLDER		1	*			
031-1	317788-8	GUIDE HOLDER	O	1				
032	941151-9	FLAT WASHER 6		1				
033	253903-9	WAVE WASHER 6		1	*			
034	251815-0	SCREW M6X25		1	*			
034-1	265763-7	THUMB SCREW M6X25	O	1				
035	341136-9	HOOK		1				
036	912116-8	COUNTERSUNK HEAD SCREW M4X12		1	*			

Please order the parts with part number.

Print Date 4/12/2023

Model No.3700B TRIMMER 6MM

Item	Parts No.	Description	I/C	Qty	New/Old	Opt. 1	Opt. 2	Note
036-1	265135-6	+ COUNTERSUNK HEAD SCREW M4X10	O	1				
037	411113-6	BASE		1				
038	411115-2	CHIP DEFLECTOR		1	*			
038-1	418647-0	CHIP DEFLECTOR	O	1				
039	411114-4	BASE PROTECTOR		1				
040	912112-6	COUNTERSUNK HEAD SCREW M4X10		4				
041	251420-3	- FLAT HEAD SCREW M5		1	*			
041-1	251471-6	- FLAT HEAD SCREW M5	O	1				
042	323495-3	ROLLER 11		1	*			
042-1	324378-0	ROLLER 11	O	1				
043	312650-2	TRIMMER GUIDE		1	*			
043-1	317789-6	TRIMMER GUIDE	O	1				
044	941151-9	FLAT WASHER 6		1				
045	253903-9	WAVE WASHER 6		1	*			
046	251815-0	SCREW M6X25		1	*			
046-1	265763-7	THUMB SCREW M6X25	O	1				
047	251819-2	SCREW M6		1	*			
047-1	265764-5	THUMB SCREW M6	O	1				
048	652102-4	HEX. NUT M12		1				
400-1	251919-8	CAP SQUARE NECK BOLT M6X20		1				
401	253903-9	WAVE WASHER 6		1				
402	941151-9	FLAT WASHER 6		1				
403-1	343593-7	GUIDE PLATE		1				
404-1	343594-5	STRAIGHT GUIDE		1				
405	934301-3	WING NUT M6		1				
406-1	343577-5	TEMPLET GUIDE 10		1				
409	781003-0	WRENCH 10		1				
410	781008-0	WRENCH 17		1				
500-1	122391-0	STRAIGHT GUIDE ASS'Y		1				
D10		INC. 400-405						

Please order the parts with part number.

Print Date 4/12/2023