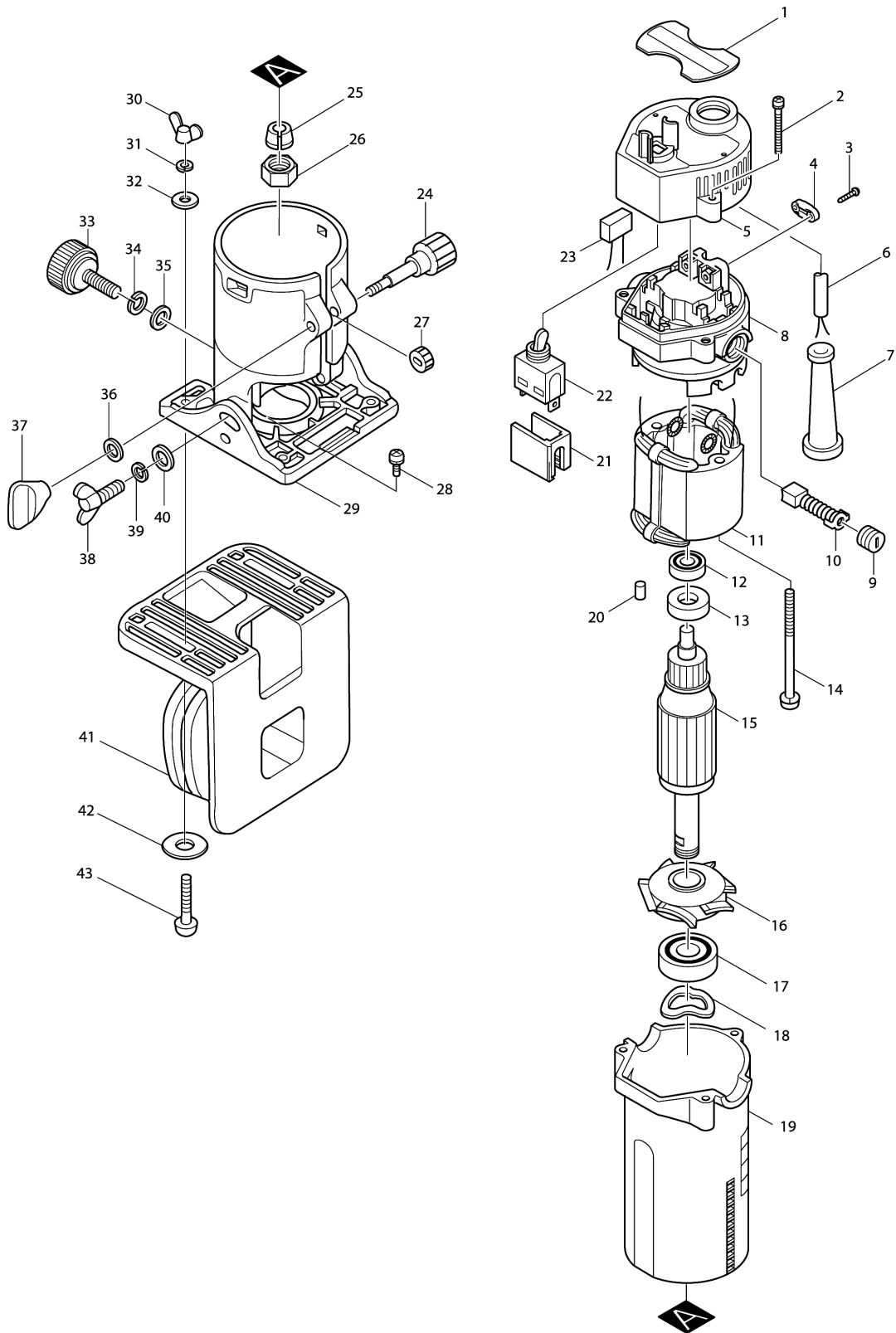


Model No.3704 TRIMMER 6MM



Model No.3704 TRIMMER 6MM

Item	Parts No.	Description	I/C	Qty	New/Old	Opt. 1	Opt. 2	Note
001	856567-4	NAME PLATE 3704		1				
002	911168-6	PAN HEAD SCREW M4X40		3				
003-1	265941-9	TAPPING SCREW BT 4X18		2	*			
003-2	265995-6	TAPPING SCREW 4X18	O	2				
004B2	687052-4	STRAIN RELIEF		1				
005	410062-4	REAR COVER		1				
006O_	665394-6	POWER SUPPLY CORD 1.0-2-2.5		1				
007A_	682502-4	CORD GUARD 8-85		1				
008-2	159301-4	MOTOR REAR HOUSING		1				
C10	643917-0	BRUSH HOLDER		2	*			
C11	643932-4	BRUSH HOLDER 6X9	O	2				
D10		INC. 20						
009	643550-8	BRUSH HOLDER CAP 5-8		2				
010C_	191940-4	CARBON BRUSH CB-411		1	*			
010C1	195010-1	CARBON BRUSH SET CB-411	O	1				
011C1	593148-0	FIELD ASS'Y 220V		1				
C10	654100-4	RING TERMINAL		2				
C20	654501-6	CONNECTOR P-1.25		2				
012	211028-5	BALL BEARING 627LB		1				
013	681614-0	INSULATION WASHER		1				
014-2	911596-5	PAN HEAD SCREW M4X70		2				
015C1	511918-5	ARMATURE ASS'Y 220V		1				
D10		INC. 12,13,16,17						
016	241615-6	FAN 52		1	*			
016-1	241516-8	FAN 52	X	1	*			
016-2	241615-6	FAN 52	X	1				
017-1	211223-7	BALL BEARING 6002DDW		1	*			
017-2	211223-7	BALL BEARING 6002DDW	O	1	*			
017-3	211489-9	BALL BEARING 6002LLUX	O	1				
018	253905-5	WAVE WASHER 23		1				
019	414567-6	MOTOR HOUSING		1				
020	263014-2	RUBBER PIN 4		1				
021	410069-0	SWITCH HOLDER		1				
022A_	651467-1	SWITCH STE206K		1				
023A_	645105-5	NOISE SUPPRESSOR		1				
024	251890-6	SCREW M5X33		1				
025	763607-0	COLLET CONE 6MM		1	*			
025-1	763607-0	COLLET CONE 6MM	O	1				
026	763606-2	COLLET NUT 6		1				
027	226217-9	SPUR GEAR 16		1				
028	911114-9	PAN HEAD SCREW M4X10		2				
029	152334-8	BASE COMPLETE		1				
030	934201-7	WING NUT M5		2				
031	942101-7	SPRING WASHER 5		2				
032	941101-4	FLAT WASHER 5		2				

Please order the parts with part number.

Print Date 3/1/2024

Model No.3704 TRIMMER 6MM

Item	Parts No.	Description	I/C	Qty	New/Old	Opt. 1	Opt. 2	Note
033	251814-2	SCREW M6X18		1				
034	942151-2	SPRING WASHER 6		1				
035	941151-9	FLAT WASHER 6		1				
036	941101-4	FLAT WASHER 5		1				
037	252632-1	WING NUT M5		1				
038	924216-2	WING BOLT M5X15		2				
039	942101-7	SPRING WASHER 5		2				
040	253807-5	FLAT WASHER 5		2				
041	414304-8	TRIMMER SHOE		1				
042-1	253022-1	FLAT WASHER 8		2	*			
042-2	267248-9	FLAT WASHER 8	O	2				
043	923241-0	CAP SQUARE NECK BOLT M5X25		2				
A01	251919-8	CAP SQUARE NECK BOLT M6X20		1				
A02	343593-7	GUIDE PLATE		1				
A04	941151-9	FLAT WASHER 6		1				
A05	253903-9	WAVE WASHER 6		1				
A06	934301-3	WING NUT M6		1				
A07	251819-2	SCREW M6		1	*			
A07-1	265764-5	THUMB SCREW M6	O	1				
A08	912116-8	COUNTERSUNK HEAD SCREW M4X12		1	*			
A08-1	265135-6	+ COUNTERSUNK HEAD SCREW M4X10	O	1				
A09	341136-9	HOOK		1				
A10	251420-3	- FLAT HEAD SCREW M5		1	*			
A10-1	251471-6	- FLAT HEAD SCREW M5	O	1				
A11	323495-3	ROLLER 11		1	*			
A11-1	324378-0	ROLLER 11	O	1				
A12	312396-0	GUIDE HOLDER		1	*			
A12-1	317788-8	GUIDE HOLDER	O	1				
A13	122389-7	TRIMMER GUIDE ASS'Y		1	*			
C10	312650-2	TRIMMER GUIDE		1	*			
D10		INC. A07-A12,A14-A16			*			
A13-1	122703-7	TRIMMER GUIDE ASS'Y	O	1				
C10	317789-6	TRIMMER GUIDE		1				
D10		INC A07-A12,A14,A16						
A14	941151-9	FLAT WASHER 6		1				
A15	253903-9	WAVE WASHER 6		1	*			
A16	251815-0	SCREW M6X25		1	*			
A16-1	265763-7	THUMB SCREW M6X25	O	1				
A17	343577-5	TEMPLET GUIDE 10		1				
A18	781003-0	WRENCH 10		1	*			
A18-1	781036-5	WRENCH 10	O	1				
A19	781008-0	WRENCH 17		1				
A20	793076-1	STRAIGHT BIT 6		1	*			
A20-1	D-09167	STRAIGHT BITS 6	O	1	*			

Please order the parts with part number.

Print Date 3/1/2024

Model No.3704 TRIMMER 6MM

Item	Parts No.	Description	I/C	Qty	New/Old	Opt. 1	Opt. 2	Note
A20-2	191Y83-2	STRAIGHT BIT 6 SET	O	1				
E01	163299-9	FLEXIBLE HOSE		1				
E02	251358-2	+ PAN HEAD SCREW M4X8		1				
E03	343627-6	STRAIGHT GUIDE		1				
E04	421345-7	JOINT		1				

Please order the parts with part number.

Print Date 3/1/2024