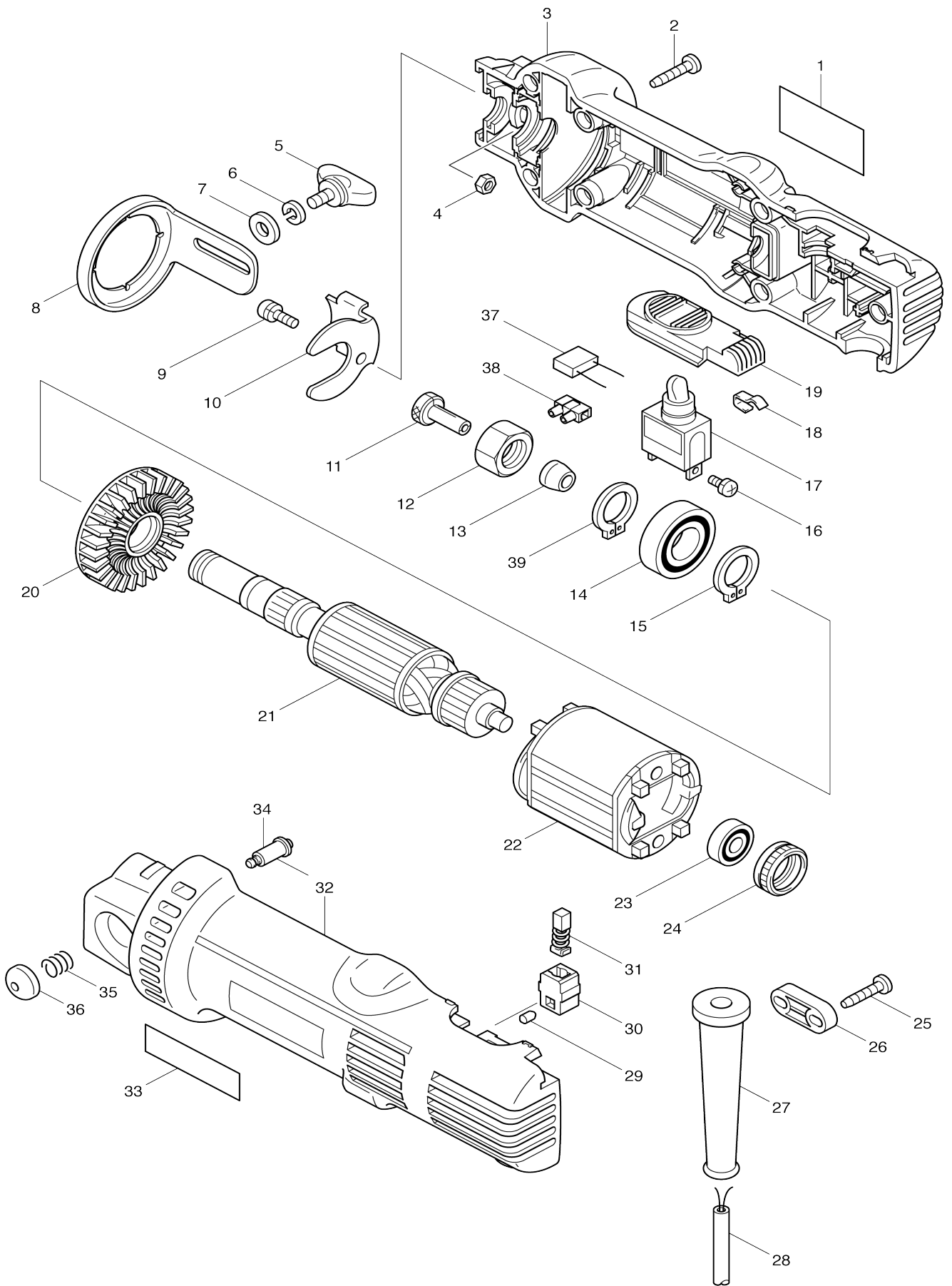


Model No.3706 CUTOUT TOOL



Model No.3706 CUTOUT TOOL

Item No.	Parts No.	Description	Interchangability	Q'ty	New/Old	Note1	Note2
001	853169-7	NAME PLATE 3706		1			
002	265995-6	TAPPING SCREW 4X18		7	*		
002-1	266326-2	TAPPING SCREW 4X18	O	7	*		
002-2	265A48-7	TAPPING SCREW 4X18	O	7			
003	183337-1	HOUSING SET		1			
D10		INC. 4,29,32,33					
004	931102-0	HEX. NUT M4		1			
005	265750-6	THUMB SCREW M5X10		1			
006	942101-7	SPRING WASHER 5		1			
007	941101-4	FLAT WASHER 5		1			
008	344964-1	SHOE PLATE		1			
009	911111-5	PAN HEAD SCREW M4X10 WITH W		1			
010	344965-9	SHOE SUPPORT		1			
011	324149-5	ADAPTER		1			
012	763606-2	COLLET NUT 6		1			
013	763608-8	COLLET CONE 1/4"		1	*		
013-1	763608-8	COLLET CONE 1/4"	O	1			
014	211227-9	BALL BEARING 6002DDW		1	*		
014-1	211236-8	BALL BEARING 6002DDW	O	1			
015	961055-9	RETAINING RING S-15		1			
016	652008-6	PAN HEAD SCREW M3.5X7		2			
017	651423-1	SWITCH		1	*		
017-1	651423-1	SWITCH	O	1			
018	232166-0	LEAF SPRING		1			
019	417500-7	SWITCH LEVER		1			
020	240044-0	FAN 56		1			
021A_	517549-8	ARMATURE ASS'Y 220-240V		1			
D10		INC. 14,15,20,23,39					
022A_	599703-6	FIELD ASS'Y 220-240V		1			
C10	654002-4	TERMINAL 1.25-M4		2			
023	210017-7	BALL BEARING 607DDW		1			
024	421479-6	RUBBER RING 19		1			
025	265995-6	TAPPING SCREW 4X18		2	*		
025-1	265A48-7	TAPPING SCREW 4X18	O	2			
026A_	687052-4	STRAIN RELIEF		1			
027	682559-5	CORD GUARD 8		1			
028A_	695034-2	POWER SUPPLY CORD 1.0-2-4.0		1			
029	263002-9	RUBBER PIN 4		2			
030	643552-4	BRUSH HOLDER 5-8		2			
031A_	191627-8	CARBON BRUSH CB-64		1	*		
031A1	194968-1	CARBON BRUSH SET CB-64	O	1			
032	183337-1	HOUSING SET		1			
D10		INC. 3,4,29,33					
033	819063-3	MAKITA LABEL		1			
034	256465-6	PIN 4-6.5		1			
035	233072-2	COMPRESSION SPRING 8		1			
036	417236-8	PIN CAP		1			

037	645200-1	NOISE SUPPRESSOR		1			
038	654532-5	TERMINAL BLOCK 1P		1			
039	961055-9	RETAINING RING S-15		1			
A01	423319-4	WRENCH HOLDER		1			
A02	781008-0	WRENCH 17		1	*		
A02-1	781037-3	WRENCH 17	O	1			
A03	193446-8	DRYWALL GUIDE BIT 3.18 SET		2	*		
A03-1	191G69-8	DRYWALL GUIDE BIT 3.18 SET	O	2			
A04	193448-4	CIRCULAR GUIDE SET		1	*		
A04-1	193448-4	CIRCULAR GUIDE SET	O	1			
A05	193449-2	DUST COLLECTION COVER		1			
A06	193483-2	MULTIPURPOSE BIT 3.18 SET		5			
A07	824676-7	PLASTIC CARRYING CASE		1			
C10	416661-0	LATCH		2			
A07	821549-5	CONNECTOR PLASTIC CASE (TYP E1)		1			
C10	453974-8	LATCH		4			
A08	837895-6	INNER TRAY		1			
A09	802H46-8	3706J INDICATION LABEL		1			
A10	802H47-6	3706J PLASTIC CASE LABEL		2			

Please state Parts No. when your order.

Print Date 12/04/2023