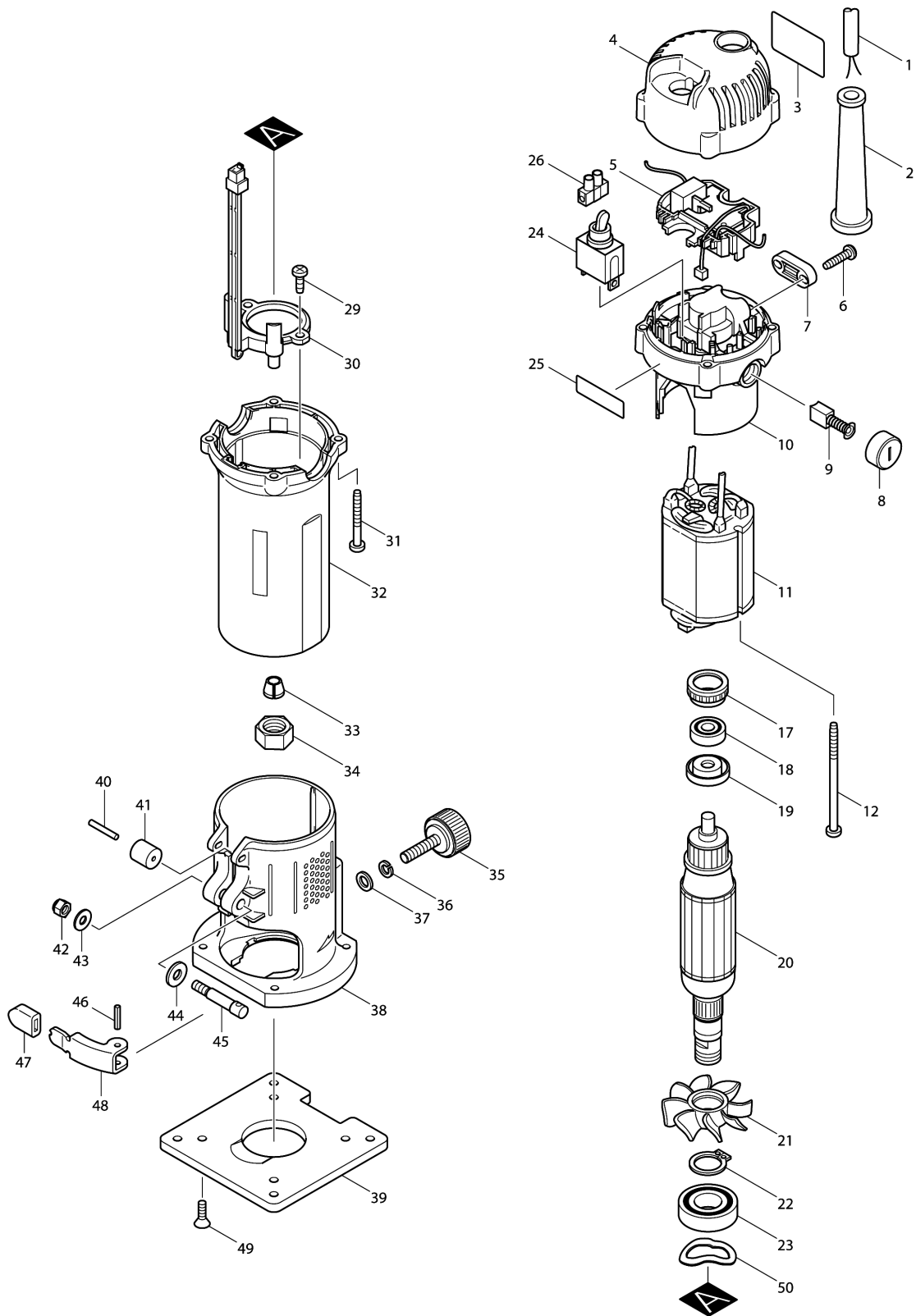


Model No.3707F TRIMMER



Model No.3707F TRIMMER

Item	Parts No.	Description	I/C	Qty	New/Old	Opt. 1	Opt. 2	Note
001	666080-2	POWER SUPPLY CORD 1.0-2-0.3		1	*			
001-1	666066-6	POWER SUPPLY CORD 1.0-2-2.5	X	1				
002	682502-4	CORD GUARD 8-85		1				
003	853744-9	NAME PLATE 3707F		1				
004	417747-3	REAR COVER		1				
005	631490-2	LED POWER SUPPLY CIRCUIT		1				
006	265995-6	TAPPING SCREW 4X18		2				
007	687063-9	CORD CLAMP		1				
008	643928-5	BRUSH HOLDER CAP		2				
009	191938-1	CARBON BRUSH CB-408		1	*			
009-1	191940-4	CARBON BRUSH CB-411	X	1	*			
009-2	195010-1	CARBON BRUSH SET CB-411	O	1				
010	183417-3	MOTOR REAR HOUSING		1				
C10	643981-1	BRUSH HOLDER 6X9		2				
D10		INC. 25						
011	595069-2	FIELD ASSY 240V		1				
C10	654100-4	RING TERMINAL		2				
C20	654501-6	CONNECTOR P-1.25		2				
012	266004-4	TAPPING SCREW 4X70		2				
017	421494-0	RUBBER RING 19		1				
018	210017-7	BALL BEARING 607DDW		1				
019	681636-0	INSULATION WASHER		1				
020	517574-9	ARMATURE ASSY 240V		1				
D10		INC. 18,19,21,22						
021	240049-0	FAN 48		1				
022	961055-9	RETAINING RING S-15		1				
023	211236-8	BALL BEARING 6002DDW		1				
024	651423-1	SWITCH		1	*			
024-1	651423-1	SWITCH	O	1				
025	819720-3	MAKITA LABEL		1				
026	654544-8	TERMINAL BLOCK		1				
029	251991-0	+ TAPPING SCREW M4X12		2				
030	631480-5	LED CIRCUIT		1				
031	266053-1	TAPPING SCREW 4X35		4				
032	153347-2	MOTOR HOUSING COMPLETE		1				
C10	816274-1	SCALE LABEL "MM"		1				
033	763607-0	COLLET CONE 6MM		1	*			
033-1	763607-0	COLLET CONE 6MM	O	1				
034	763606-2	COLLET NUT 6		1				
035	251815-0	SCREW M6X25		1	*			
035-1	265763-7	THUMB SCREW M6X25	O	1				
036	942151-2	SPRING WASHER 6		1				
037	941151-9	FLAT WASHER 6		1				
038	417748-1	BASE		1	*			

Please order the parts with part number.

Print Date 27/12/2023

Model No.3707F TRIMMER

Item	Parts No.	Description	I/C	Qty	New/Old	Opt. 1	Opt. 2	Note
038-1	143654-1	BASE COMPLETE	<	1				
039	417749-9	BASE PROTECTOR		1				
040	256158-5	PIN 3		1	*			
040-1	256221-4	PIN 3	<	1				
041	421566-1	ROLLER W/O PIN		1				
042	252103-8	HEX. LOCK NUT M5-8		1				
043	941101-4	FLAT WASHER 5		1				
044	267214-6	FLAT WASHER 6		1				
045	324243-3	SUPPORT PIN		1				
046	951060-4	SPRING PIN 3-14		1				
047	421818-0	RUBBER CAP		1				
048	345229-4	LOCK LEVER		1				
049	912122-3	COUNTERSUNK HEAD SCREW M4X14		4				
050	253905-5	WAVE WASHER 23		1				
A01	122389-7	TRIMMER GUIDE ASS'Y		1	*			
C10	312650-2	TRIMMER GUIDE		1	*			
D10		INC. A02-A10			*			
A01-1	122703-7	TRIMMER GUIDE ASS'Y	O	1				
C10	317789-6	TRIMMER GUIDE		1				
D10		INC A02-A08,A10						
A02	251819-2	SCREW M6		1	*			
A02-1	265764-5	THUMB SCREW M6	O	1				
A03	912116-8	COUNTERSUNK HEAD SCREW M4X12		1	*			
A03-1	265135-6	+ COUNTERSUNK HEAD SCREW M4X10	O	1				
A04	341136-9	HOOK		1				
A05	251420-3	- FLAT HEAD SCREW M5		1	*			
A05-1	251471-6	- FLAT HEAD SCREW M5	O	1				
A06	323495-3	ROLLER 11		1	*			
A06-1	324378-0	ROLLER 11	O	1				
A07	312396-0	GUIDE HOLDER		1	*			
A07-1	317788-8	GUIDE HOLDER	O	1				
A08	941151-9	FLAT WASHER 6		1				
A09	253903-9	WAVE WASHER 6		1	*			
A10	251815-0	SCREW M6X25		1	*			
A10-1	265763-7	THUMB SCREW M6X25	O	1				
A11	251919-8	CAP SQUARE NECK BOLT M6X20		1				
A12	253903-9	WAVE WASHER 6		1				
A13	343577-5	TEMPLER GUIDE 10		1				
A14	781003-0	WRENCH 10		1	*			
A14-1	781036-5	WRENCH 10	O	1				
A15	781008-0	WRENCH 17		1				
A16	934301-3	WING NUT M6		1				
A17	941151-9	FLAT WASHER 6		1				
A18	343593-7	GUIDE PLATE		1				

Please order the parts with part number.

Print Date 27/12/2023

Model No.3707F TRIMMER

Item	Parts No.	Description	I/C	Qty	New/Old	Opt. 1	Opt. 2	Note
A19	343594-5	STRAIGHT GUIDE		1				
A20	793076-1	STRAIGHT BIT 6		1	*			
A20-1	D-09167	STRAIGHT BITS 6	O	1	*			
A20-2	191Y83-2	STRAIGHT BIT 6 SET	O	1				
B01	122391-0	STRAIGHT GUIDE ASS'Y		1				
D10		INC. A08,A11,A12,A16,A18,A19						
F47-2	197574-1	TRIMMER BASE SET	<	1				

Please order the parts with part number.

Print Date 27/12/2023