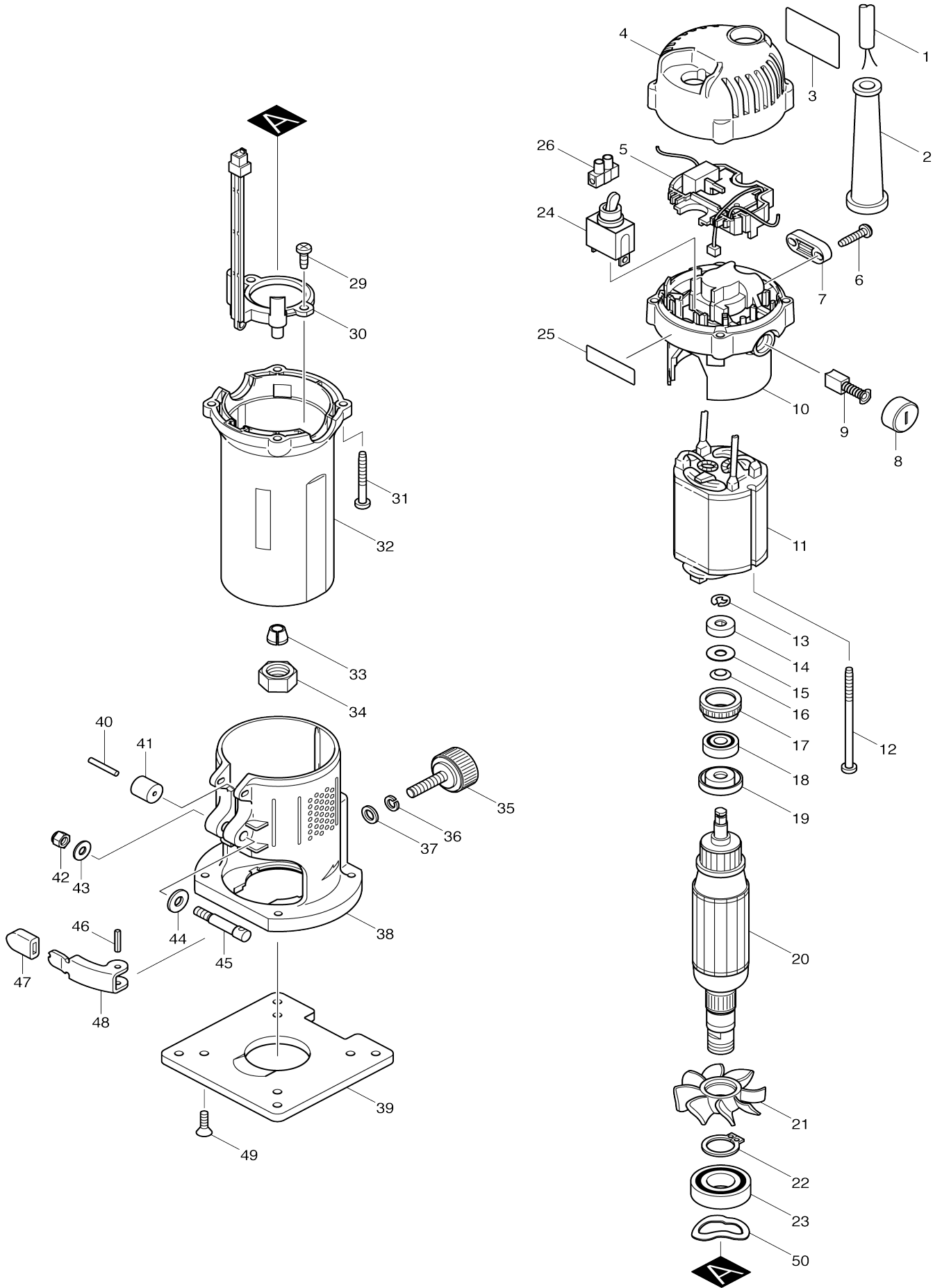


Model No.3707FC TRIMMER



Model No.3707FC TRIMMER

Item No.	Parts No.	Description	Interchangability	Q'ty	New/Old	Note1	Note2
001	665394-6	POWER SUPPLY CORD 1.0-2-2.5		1			
002	682502-4	CORD GUARD 8-85		1			
003	853543-9	NAME PLATE 3707FC		1			
004	417747-3	REAR COVER		1			
005	631487-1	CONTROLLER		1			
006	265995-6	TAPPING SCREW 4X18		2			
007	687052-4	STRAIN RELIEF		1			
008	643928-5	BRUSH HOLDER CAP		2			
009	191940-4	CARBON BRUSH CB-411		1	*		
009-1	195010-1	CARBON BRUSH SET CB-411	O	1			
010	183417-3	MOTOR REAR HOUSING		1			
C10	643981-1	BRUSH HOLDER 6X9		2			
D10		INC. 25					
011	595064-2	FIELD ASS'Y 230-240V		1			
C10	654100-4	RING TERMINAL		2			
C20	654501-6	CONNECTOR P-1.25		2			
012	266004-4	TAPPING SCREW 4X70		2			
013	259039-2	SELF LOCK 6		1			
014	688117-5	MAGNET SLEEVE		1	*		
014-1	688174-3	MAGNET SLEEVE	<	1	*		
014-2	688117-5	MAGNET SLEEVE	O	1			
015	253332-6	THIN WASHER 6		1			
016	267756-0	WAVE WASHER 6		1			
017	421494-0	RUBBER RING 19		1			
018	210017-7	BALL BEARING 607DDW		1			
019	681636-0	INSULATION WASHER		1			
020	517569-2	ARMATURE ASS'Y 230-240V		1	*		
D10		INC. 18,19,21,22					
020-1	517619-3	ARMATURE ASS'Y 240V	<	1			
D10		INC. 18,19,21,22					
021	240049-0	FAN 48		1			
022	961055-9	RETAINING RING S-15		1			
023	211236-8	BALL BEARING 6002DDW		1			
024	651423-1	SWITCH		1	*		
024-1	651423-1	SWITCH	O	1			
025	819720-3	MAKITA LABEL		1			
026	654544-8	TERMINAL BLOCK		1			
029	251991-0	+ TAPPING SCREW M4X12		2			
030	631480-5	LED CIRCUIT		1			
031	266053-1	TAPPING SCREW 4X35		4			
032	153347-2	MOTOR HOUSING COMPLETE		1			
C10	816274-1	SCALE LABEL "MM"		1			
033	763607-0	COLLET CONE 6MM		1	*		
033-1	763607-0	COLLET CONE 6MM	O	1			
034	763606-2	COLLET NUT 6		1			
035	251815-0	SCREW M6X25		1	*		
035-1	265763-7	THUMB SCREW M6X25	O	1			

036	942151-2	SPRING WASHER 6		1		
037	941151-9	FLAT WASHER 6		1		
038	417748-1	BASE		1	*	
038-1	143654-1	BASE COMPLETE	<	1		
039	417749-9	BASE PROTECTOR		1		
040	256158-5	PIN 3		1	*	
040-1	256221-4	PIN 3	<	1		
041	421566-1	ROLLER W/O PIN		1		
042	252103-8	HEX. LOCK NUT M5-8		1		
043	941101-4	FLAT WASHER 5		1		
044	267214-6	FLAT WASHER 6		1		
045	324243-3	SUPPORT PIN		1		
046	951060-4	SPRING PIN 3-14		1		
047	421818-0	RUBBER CAP		1		
048	345229-4	LOCK LEVER		1		
049	912122-3	COUNTERSUNK HEAD SCREW M4 X14		4		
050	253905-5	WAVE WASHER 23		1		
A01	122389-7	TRIMMER GUIDE ASSY		1	*	
C10	312650-2	TRIMMER GUIDE		1	*	
D10		INC. A02-A10				
A01-1	122703-7	TRIMMER GUIDE ASSY	O	1		
C10	317789-6	TRIMMER GUIDE		1		
D10		INC A02-A08,A10				
A02	251819-2	SCREW M6		1	*	
A02-1	265764-5	THUMB SCREW M6	O	1		
A03	912116-8	COUNTERSUNK HEAD SCREW M4 X12		1	*	
A03-1	265135-6	+ COUNTERSUNK HEAD SCREW M4X10	O	1		
A04	341136-9	HOOK		1		
A05	251420-3	- FLAT HEAD SCREW M5		1	*	
A05-1	251471-6	- FLAT HEAD SCREW M5	O	1		
A06	323495-3	ROLLER 11		1	*	
A06-1	324378-0	ROLLER 11	O	1		
A07	312396-0	GUIDE HOLDER		1	*	
A07-1	317788-8	GUIDE HOLDER	O	1		
A08	941151-9	FLAT WASHER 6		1		
A09	253903-9	WAVE WASHER 6		1	*	
A10	251815-0	SCREW M6X25		1	*	
A10-1	265763-7	THUMB SCREW M6X25	O	1		
A11	343577-5	TEMPLET GUIDE 10		1		
A12	781003-0	WRENCH 10		1	*	
A12-1	781036-5	WRENCH 10	O	1		
A13	781008-0	WRENCH 17		1		
A14	251919-8	CAP SQUARE NECK BOLT M6X20		1		
A15	253903-9	WAVE WASHER 6		1		
A16	934301-3	WING NUT M6		1		
A17	941151-9	FLAT WASHER 6		1		
A18	793076-1	STRAIGHT BIT 6		1	*	
A18-1	D-09167	STRAIGHT BITS 6	O	1	*	
A18-2	191Y83-2	STRAIGHT BIT 6 SET	O	1		

A19	343594-5	STRAIGHT GUIDE		1		
A20	343593-7	GUIDE PLATE		1		
B01	122391-0	STRAIGHT GUIDE ASS'Y		1		
D10		INC. A08,A14,A15,A16,A19,A20				
F47-2	197574-1	TRIMMER BASE SET	<	1		

Please state Parts No. when your order.

Print Date 27/12/2023