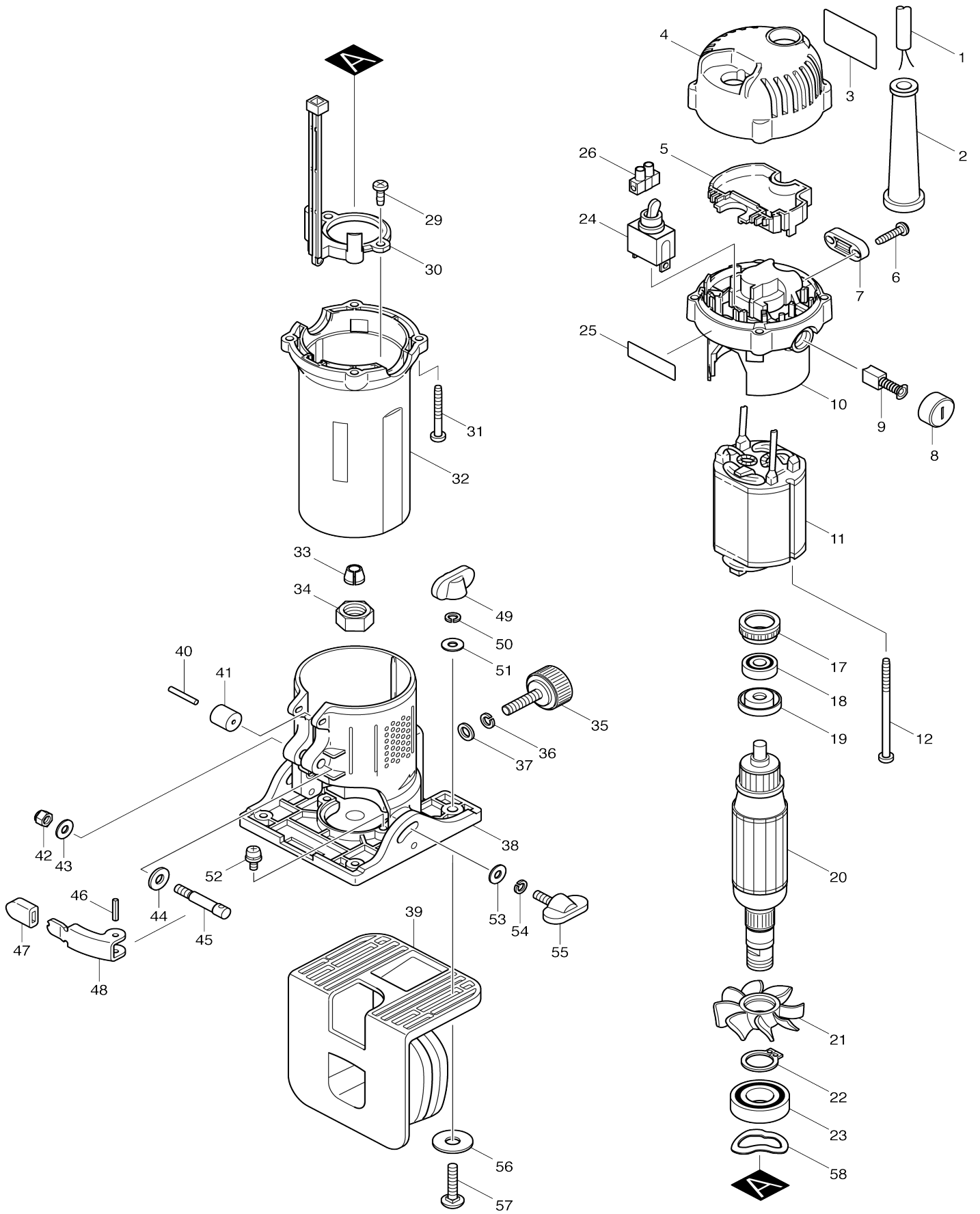


Model No.3708 TRIMMER



Model No.3708 TRIMMER

| Item No. | Parts No. | Description | Interchangability | Q'ty | New/Old | Note1 | Note2 |
|----------|-----------|-----------------------------|-------------------|------|---------|-------|-------|
| 001 | 665394-6 | POWER SUPPLY CORD 1.0-2-2.5 | | 1 | | | |
| 002 | 682502-4 | CORD GUARD 8-85 | | 1 | | | |
| 003 | 853538-2 | NAME PLATE 3708 | | 1 | | | |
| 004 | 417747-3 | REAR COVER | | 1 | | | |
| 005 | 687127-9 | CASE | | 1 | | | |
| 006 | 265995-6 | TAPPING SCREW 4X18 | | 2 | | | |
| 007 | 687052-4 | STRAIN RELIEF | | 1 | | | |
| 008 | 643928-5 | BRUSH HOLDER CAP | | 2 | | | |
| 009 | 191938-1 | CARBON BRUSH CB-408 | | 1 | * | | |
| 009-1 | 191940-4 | CARBON BRUSH CB-411 | X | 1 | * | | |
| 009-2 | 195010-1 | CARBON BRUSH SET CB-411 | O | 1 | | | |
| 010 | 183417-3 | MOTOR REAR HOUSING | | 1 | | | |
| C10 | 643981-1 | BRUSH HOLDER 6X9 | | 2 | | | |
| D10 | | INC. 25 | | | | | |
| 011 | 595069-2 | FIELD ASSY 240V | | 1 | | | |
| C10 | 654100-4 | RING TERMINAL | | 2 | | | |
| C20 | 654501-6 | CONNECTOR P-1.25 | | 2 | | | |
| 012 | 266004-4 | TAPPING SCREW 4X70 | | 2 | | | |
| 017 | 421494-0 | RUBBER RING 19 | | 1 | | | |
| 018 | 210017-7 | BALL BEARING 607DDW | | 1 | | | |
| 019 | 681636-0 | INSULATION WASHER | | 1 | | | |
| 020 | 517574-9 | ARMATURE ASSY 240V | | 1 | | | |
| D10 | | INC. 18,19,21,22 | | | | | |
| 021 | 240049-0 | FAN 48 | | 1 | | | |
| 022 | 961055-9 | RETAINING RING S-15 | | 1 | | | |
| 023 | 211236-8 | BALL BEARING 6002DDW | | 1 | | | |
| 024 | 651423-1 | SWITCH | | 1 | * | | |
| 024-1 | 651423-1 | SWITCH | O | 1 | | | |
| 025 | 819720-3 | MAKITA LABEL | | 1 | | | |
| 026 | 654544-8 | TERMINAL BLOCK | | 1 | | | |
| 029 | 251991-0 | + TAPPING SCREW M4X12 | | 2 | | | |
| 030 | 417750-4 | SUPPORTER | | 1 | | | |
| 031 | 266053-1 | TAPPING SCREW 4X35 | | 4 | | | |
| 032 | 153347-2 | MOTOR HOUSING COMPLETE | | 1 | | | |
| C10 | 816274-1 | SCALE LABEL "MM" | | 1 | | | |
| 033 | 763607-0 | COLLET CONE 6MM | | 1 | * | | |
| 033-1 | 763607-0 | COLLET CONE 6MM | O | 1 | | | |
| 034 | 763606-2 | COLLET NUT 6 | | 1 | | | |
| 035 | 251814-2 | SCREW M6X18 | | 1 | | | |
| 036 | 942151-2 | SPRING WASHER 6 | | 1 | | | |
| 037 | 941151-9 | FLAT WASHER 6 | | 1 | | | |
| 038 | 153351-1 | BASE COMPLETE | | 1 | * | | |
| 038-1 | 143655-9 | BASE COMPLETE | < | 1 | | | |
| 039 | 414304-8 | TRIMMER SHOE | | 1 | | | |
| 040 | 256158-5 | PIN 3 | | 1 | * | | |
| 040-1 | 256221-4 | PIN 3 | < | 1 | | | |
| 041 | 421566-1 | ROLLER W/O PIN | | 1 | | | |
| | | | | | | | |

| | | | | | | |
|-------|----------|--------------------------------|---|---|---|--|
| 042 | 252103-8 | HEX. LOCK NUT M5-8 | | 1 | | |
| 043 | 941101-4 | FLAT WASHER 5 | | 1 | | |
| 044 | 267214-6 | FLAT WASHER 6 | | 1 | | |
| 045 | 324243-3 | SUPPORT PIN | | 1 | | |
| 046 | 951060-4 | SPRING PIN 3-14 | | 1 | | |
| 047 | 421818-0 | RUBBER CAP | | 1 | | |
| 048 | 345229-4 | LOCK LEVER | | 1 | | |
| 049 | 252646-0 | WING NUT M5 | | 2 | | |
| 050 | 942101-7 | SPRING WASHER 5 | | 2 | | |
| 051 | 941101-4 | FLAT WASHER 5 | | 2 | | |
| 052 | 911114-9 | PAN HEAD SCREW M4X10 | | 2 | | |
| 053 | 941101-4 | FLAT WASHER 5 | | 2 | | |
| 054 | 942101-7 | SPRING WASHER 5 | | 2 | | |
| 055 | 265740-9 | SCREW M5X15 | | 2 | | |
| 056 | 253022-1 | FLAT WASHER 8 | | 2 | * | |
| 056-1 | 267248-9 | FLAT WASHER 8 | O | 2 | | |
| 057 | 923241-0 | CAP SQUARE NECK BOLT M5X25 | | 2 | | |
| 058 | 253905-5 | WAVE WASHER 23 | | 1 | | |
| A01 | 122389-7 | TRIMMER GUIDE ASS'Y | | 1 | * | |
| C10 | 312650-2 | TRIMMER GUIDE | | 1 | * | |
| D10 | | INC. A02-A10 | | | | |
| A01-1 | 122703-7 | TRIMMER GUIDE ASS'Y | O | 1 | | |
| C10 | 317789-6 | TRIMMER GUIDE | | 1 | | |
| D10 | | INC A02-A08,A10 | | | | |
| A02 | 251819-2 | SCREW M6 | | 1 | * | |
| A02-1 | 265764-5 | THUMB SCREW M6 | O | 1 | | |
| A03 | 912116-8 | COUNTERSUNK HEAD SCREW M4 X12 | | 1 | * | |
| A03-1 | 265135-6 | + COUNTERSUNK HEAD SCREW M4X10 | O | 1 | | |
| A04 | 341136-9 | HOOK | | 1 | | |
| A05 | 251420-3 | - FLAT HEAD SCREW M5 | | 1 | * | |
| A05-1 | 251471-6 | - FLAT HEAD SCREW M5 | O | 1 | | |
| A06 | 323495-3 | ROLLER 11 | | 1 | * | |
| A06-1 | 324378-0 | ROLLER 11 | O | 1 | | |
| A07 | 312396-0 | GUIDE HOLDER | | 1 | * | |
| A07-1 | 317788-8 | GUIDE HOLDER | O | 1 | | |
| A08 | 941151-9 | FLAT WASHER 6 | | 1 | | |
| A09 | 253903-9 | WAVE WASHER 6 | | 1 | * | |
| A10 | 251815-0 | SCREW M6X25 | | 1 | * | |
| A10-1 | 265763-7 | THUMB SCREW M6X25 | O | 1 | | |
| A11 | 251919-8 | CAP SQUARE NECK BOLT M6X20 | | 1 | | |
| A12 | 253903-9 | WAVE WASHER 6 | | 1 | | |
| A13 | 343577-5 | TEMPLER GUIDE 10 | | 1 | | |
| A14 | 781003-0 | WRENCH 10 | | 1 | * | |
| A14-1 | 781036-5 | WRENCH 10 | O | 1 | | |
| A15 | 781008-0 | WRENCH 17 | | 1 | | |
| A16 | 934301-3 | WING NUT M6 | | 1 | | |
| A17 | 941151-9 | FLAT WASHER 6 | | 1 | | |
| A18 | 343593-7 | GUIDE PLATE | | 1 | | |
| A19 | 343627-6 | STRAIGHT GUIDE | | 1 | | |
| A20 | 793076-1 | STRAIGHT BIT 6 | | 1 | * | |

| | | | | | | | |
|-------|----------|------------------------------|---|---|---|--|--|
| A20-1 | D-09167 | STRAIGHT BITS 6 | O | 1 | * | | |
| A20-2 | 191Y83-2 | STRAIGHT BIT 6 SET | O | 1 | | | |
| A21 | 163299-9 | FLEXIBLE HOSE | | 1 | | | |
| A22 | 251358-2 | + PAN HEAD SCREW M4X8 | | 1 | | | |
| A23 | 421345-7 | JOINT | | 1 | | | |
| B01 | 122413-6 | STRAIGHT GUIDE ASS'Y DE | | 1 | | | |
| D10 | | INC. A08,A11,A12,A16,A18,A19 | | | | | |
| E01 | 645173-8 | NOISE SUPPRESSOR | | 1 | | | |
| F47-2 | 197574-1 | TRIMMER BASE SET | < | 1 | | | |

Please state Parts No. when your order.

Print Date 11/06/2023