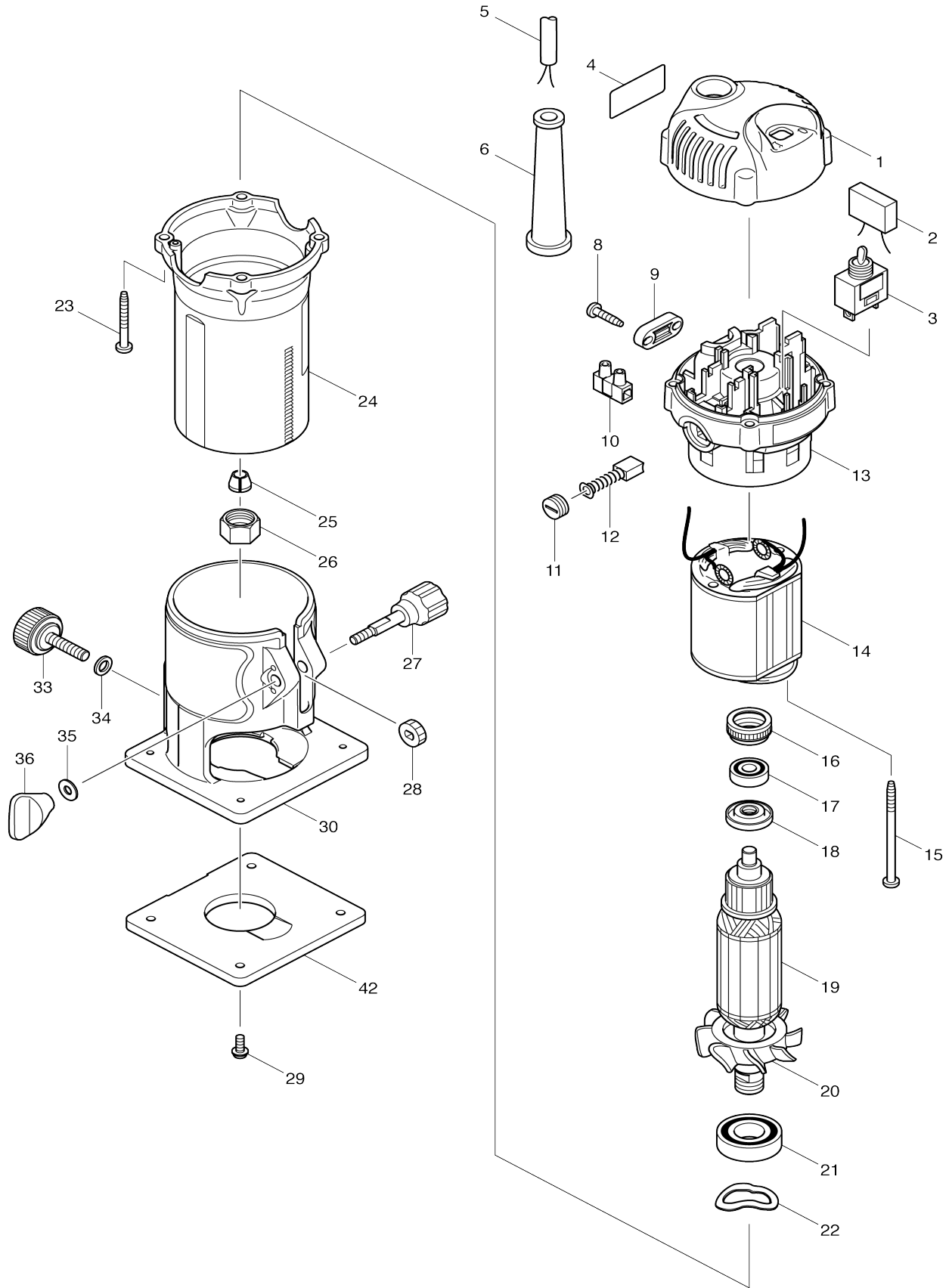


Model No.3709 TRIMMER



Model No.3709 TRIMMER

Item No.	Parts No.	Description	Interchangeability	Q'ty	New/Old	Note1	Note2
001	419137-6	TOP COVER		1	*		
001-1	413K14-0	TOP COVER	<	1			
002	645200-1	NOISE SUPPRESSOR		1			
003	651425-7	SWITCH STL115ADT		1	*		
003-1	651066-9	SWITCH ST115A-TB-S1	O	1			
004	861695-2	3709 NAME PLATE		1			
005	665394-6	POWER SUPPLY CORD 1.0-2-2.5		1			
006	682569-2	CORD GUARD 8-85		1			
008	266326-2	TAPPING SCREW 4X18		2			
009	687124-5	STRAIN RELIEF		1			
010	654532-5	TERMINAL BLOCK 1P		1			
011	643550-8	BRUSH HOLDER CAP 5-8		2			
012	191940-4	CARBON BRUSH CB-411		1	*		
012-1	195010-1	CARBON BRUSH SET CB-411	O	1			
013	154669-3	BRACKET COMPLETE		1	*		
C10	643455-2	BRUSH HOLDER 6X9		2	*		
013-1	140L18-2	BRACKET COMPLETE	<	1			
C10	643455-2	BRUSH HOLDER 6X9		2			
014	590019-2	FIELD ASS'Y 240V		1	*		
C10	654100-4	RING TERMINAL		2	*		
C20	654501-6	CONNECTOR P-1.25		2	*		
014-1	590087-5	FIELD ASSY 240V	O	1			
C10	654100-4	RING TERMINAL		2			
C20	654501-6	CONNECTOR P-1.25		2	*		
C21	654485-8	PARALLEL SPLICE	O	2			
015	266340-8	TAPPING SCREW 4X65		2			
016	421494-0	RUBBER RING 19		1			
017	210034-7	BALL BEARING 607LLB		1			
018	681668-7	INSULATION WASHER		1	*		
018-1	681668-7	INSULATION WASHER	O	1			
019	515634-1	ARMATURE ASS'Y 240V		1			
D10		INC. 17,18,20,21					
020	241667-7	FAN 52		1			
021	211223-7	BALL BEARING 6002DDW		1	*		
021-1	211223-7	BALL BEARING 6002DDW	O	1	*		
021-2	211489-9	BALL BEARING 6002LLUX	O	1			
022	267785-3	WAVE WASHER 23		1			
023	266351-3	TAPPING SCREW 4X35		4			
024	154668-5	MOTOR HOUSING COMPLETE		1	*		
C10	816817-9	SCALE LABEL		1	*		
024-1	141D78-9	MOTOR HOUSING COMPLETE	<	1			
C10	8034K8-2	SCALE LABEL		1			
025	763662-2	COLLET CONE 6		1			
026	763661-4	COLLET NUT 6		1			
027	265771-8	THUMB SCREW M5X33		1			
028	226217-9	SPUR GEAR 16		1			
029	265142-9	+ PAN HEAD SCREW M4X10		4			

030	419138-4	BASE		1		
033	265763-7	THUMB SCREW M6X25		1		
034	941151-9	FLAT WASHER 6		1		
035	941101-4	FLAT WASHER 5		1		
036	252652-5	THUMB NUT M5		1		
042	410585-2	BASE PROTECTOR		1		
A01	122703-7	TRIMMER GUIDE ASS'Y		1		
C10	251471-6	- FLAT HEAD SCREW M5		1		
C20	265135-6	+ COUNTERSUNK HEAD SCREW M4X10		1		
C30	265763-7	THUMB SCREW M6X25		1		
C40	265764-5	THUMB SCREW M6		1		
C50	317788-8	GUIDE HOLDER		1		
C60	324378-0	ROLLER 11		1		
C70	345430-1	HOOK		1	*	
C71	341136-9	HOOK	O	1		
C80	941151-9	FLAT WASHER 6		1		
A02	122704-5	STRAIGHT GUIDE ASS'Y		1		
C10	252649-4	THUMB NUT M6		1		
C20	266339-3	CAP SQUARE NECK BOLT M6X20		1		
C30	345432-7	GUIDE PLATE		1	*	
C31	343593-7	GUIDE PLATE	O	1		
A03	345433-5	TEMPLET GUIDE 10		1	*	
A03-1	343577-5	TEMPLET GUIDE 10	O	1		
A04	781036-5	WRENCH 10		1		
A05	781037-3	WRENCH 17		1		
A06	418647-0	CHIP DEFLECTOR		1		
A07	733239-7	STRAIGHT BIT 6		1	*	
A07-1	191Y83-2	STRAIGHT BIT 6 SET	O	1		
E03	646358-9	LINE COIL		1		
F43	194267-1	TRIMMER BASE ASSEMBLY SET		1		
F44	194268-9	TRIMMER BASE ASSEMBLY SET		1		
F45	194269-7	TRIMMER BASE ASS'Y SET		1		
F46	194270-2	TRIMMER BASE ASS'Y SET		1		

Please state Parts No. when your order.

Print Date 27/12/2023