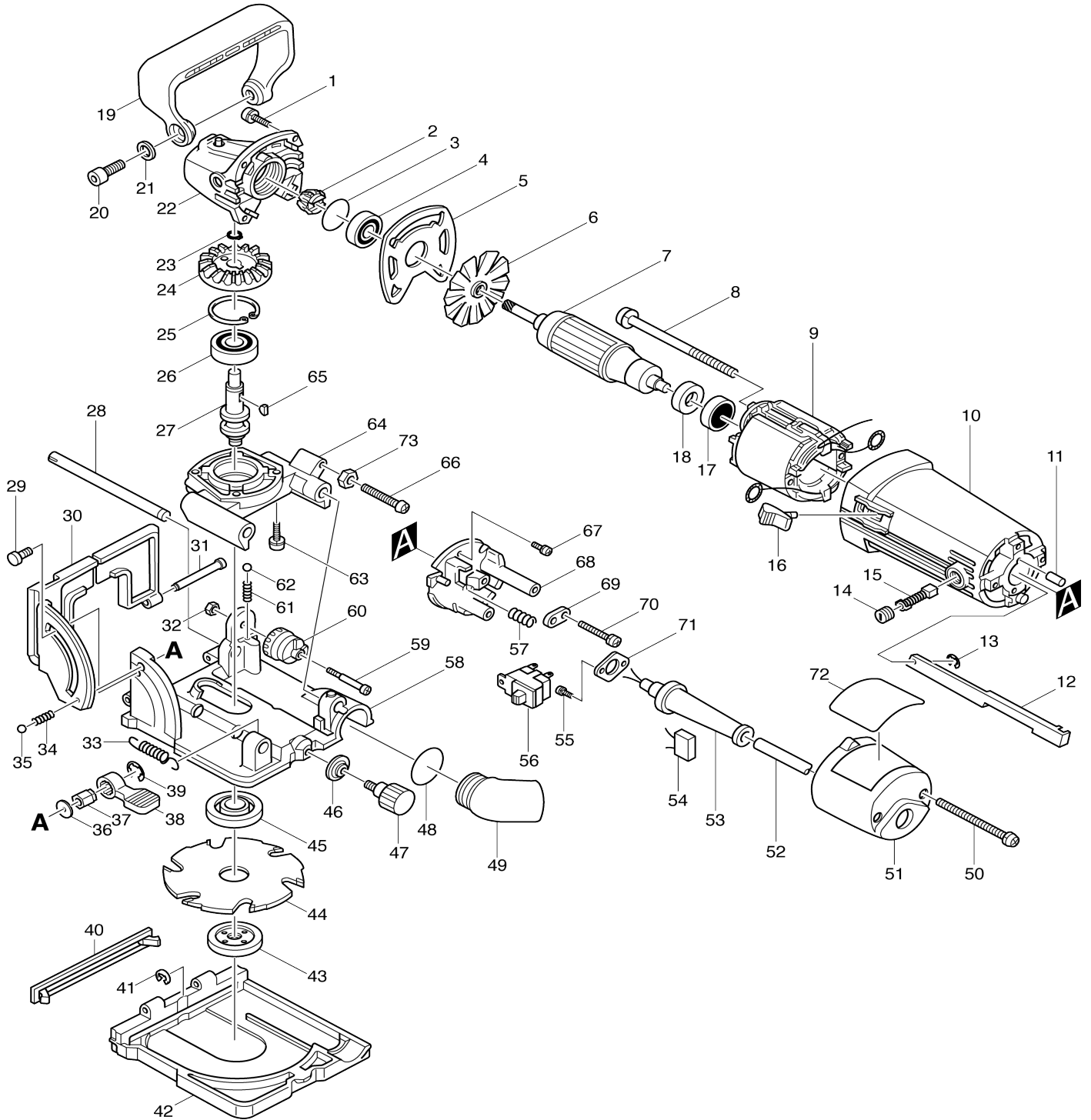


Model No.3901 PLATE JOINER



Model No.3901 PLATE JOINER

Item No.	Parts No.	Description	Interchangability	Q'ty	New/Old	Note1	Note2
001	911136-9	PAN HEAD SCREW M4X20		4			
002	221357-8	SPIRAL BEVEL GEAR 11		1			
003	213407-3	O RING 26		1			
004	211088-7	BALL BEARING 6000DDW		1			
005	341398-9	PLATE		1			
006	241509-5	FAN 60		1			
007C_	511908-8	ARMATURE ASS'Y 220V		1			
D10		INC. 6,17,18					
008	911596-5	PAN HEAD SCREW M4X70		2			
009C_	593138-3	FIELD ASS'Y 220V		1			
C10	654100-4	RING TERMINAL		2			
C20	654501-6	CONNECTOR P-1.25		2			
010	159283-0	MOTOR HOUSING COMPLETE		1			
C10	643917-0	BRUSH HOLDER		2	*		
C11	643932-4	BRUSH HOLDER 6X9	O	2			
D10		INC. 11					
011	263002-9	RUBBER PIN 4		1			
012	411328-5	SWITCH ROD		1			
013	257903-1	STOP RING E-2.3		1			
014	643550-8	BRUSH HOLDER CAP 5-8		2			
015B_	191940-4	CARBON BRUSH CB-411		1	*		
015B1	195010-1	CARBON BRUSH SET CB-411	O	1			
016	414663-0	SWITCH LEVER		1			
017	211026-9	BALL BEARING 627LLB		1	*		
017-1	210025-8	BALL BEARING 627LLB	O	1			
018	681614-0	INSULATION WASHER		1			
019	415253-2	GRIP		1			
020	922422-3	HEX. SOCKET HEAD BOLT M8X16		2			
021	941202-8	FLAT WASHER 8		2			
022	157393-7	GEAR HOUSING COMPLETE		1			
C10	212005-0	NEEDLE BEARING 810		1			
C20	231464-9	COMPRESSION SPRING 5		1			
C30	256616-1	PIN 5		1			
C40	343312-1	CUP		1			
D10		INC. 3					
023	961052-5	RETAINING RING (EXT) S-12		1			
024	221356-0	SPIRAL BEVEL GEAR 36		1			
025	962151-6	RETAINING RING R-32		1			
026	211106-1	BALL BEARING 6201LLB		1			
027	322658-8	SPINDLE		1			
028	322657-0	ROD 10		2			
029	251919-8	CAP SQUARE NECK BOLT M6X20		1			
030	316494-2	FENCE		1			
031	256689-4	PIN 4		2			
032	931102-0	HEX. NUT M4		1			
033	231795-6	TENSION SPRING 8		2			
034	231282-5	COMPRESSION SPRING 2.4		1			

035	216001-0	STEEL BALL 3.5		1		
036	253804-1	FLAT WASHER 6		1		
037	252133-9	HEX. NUT M6		1		
038	272229-0	LEVER 40		1		
039	961014-3	STOP RING E-8		1		
040	162163-1	RUBBER FACING		1		
041	961017-7	STOP RING E-3		2		
042	316496-8	BLADE COVER		1		
043	224505-8	LOCK NUT 10-40		1		
044	793382-4	T.C.T. CUTTER BLADE 100-4		1	*	
044-1	B-12924	CUTTER 100MM-4	<	1	*	
044-2	B-20644	CUTTER 100MMX6T	O	1	*	
044-3	B-20644	CUTTER 100MMX6T	O	1		
045	224280-6	INNER FLANGE 40		1		
046	232131-9	LEAF SPRING		1		
047	265716-6	SCREW M5X10		1		
048	213008-7	O RING 22.4		1		
049	415252-4	DUST NOZZLE		1		
050	911198-7	PAN HEAD SCREW M4X70		2		
051	410190-5	REAR COVER		1		
052O_	665394-6	POWER SUPPLY CORD 1.0-2-2.5		1		
053A_	682502-4	CORD GUARD 8-85		1		
054A_	645173-8	NOISE SUPPRESSOR		1		
055	911111-5	PAN HEAD SCREW M4X10 WITH W		2		
056A_	651651-8	SWITCH SS203KY-4		1		
057	231223-1	COMPRESSION SPRING 6		1		
058	316495-0	BASE		1		
059	265026-1	+ PAN HEAD SCREW M4		1		
060	316491-8	STOPPER		1		
061	231282-5	COMPRESSION SPRING 2.4		1		
062	216001-0	STEEL BALL 3.5		1		
063	911136-9	PAN HEAD SCREW M4X20		4		
064	316493-4	BEARING BOX		1		
065	254002-0	WOODRUFF KEY 3		1		
066-1	911267-4	PAN HEAD SCREW M5X45		1		
067	911133-5	PAN HEAD SCREW M4X18		2		
068	410191-3	SWITCH HOLDER		1		
069C_	687031-2	STRAIN RELIEF		1		
070	911128-8	P.H.SCREW M4X16 WITH WR		2		
071	687637-6	SET PLATE		1		
072	857433-8	NAME PLATE 3901		1		
073	931203-4	HEX. NUT M5		1		
A01	921332-1	HEX. BOLT M6X20		1		
A02-1	316492-6	CLAMP		1		
A03	150455-0	ANGLE GUIDE COMPLETE		1		
C10	816274-1	SCALE LABEL "MM"		1		
A04	226217-9	SPUR GEAR 16		1		
A05	961017-7	STOP RING E-3		1		
A06	253186-1	FLAT WASHER 7		1		
A07	271415-0	KNOB 20		1		
A08	232130-1	LEAF SPRING		1		

A09	253804-1	FLAT WASHER 6		1		
A10	252133-9	HEX. NUT M6		1		
A11	272229-0	LEVER 40		1		
A12	961014-3	STOP RING E-8		1		
A13	782401-1	LOCK NUT WRENCH 20		1		
A14	122474-6	DUST BAG ASS'Y		1		
C10	410602-8	FASTENER		1		
A15-2	824540-2	PLASTIC CARRYING CASE		1		
A16	415579-2	SET PLATE 4		1		
B01	122473-8	ANGLE GUIDE ASS'Y		1		
D11		INC. A01,A02,A03-A12				
E04	652008-6	PAN HEAD SCREW M3.5X7		4		
E05	652250-9	CLAMP WASHER		4		

Please state Parts No. when your order.

Print Date 11/06/2023