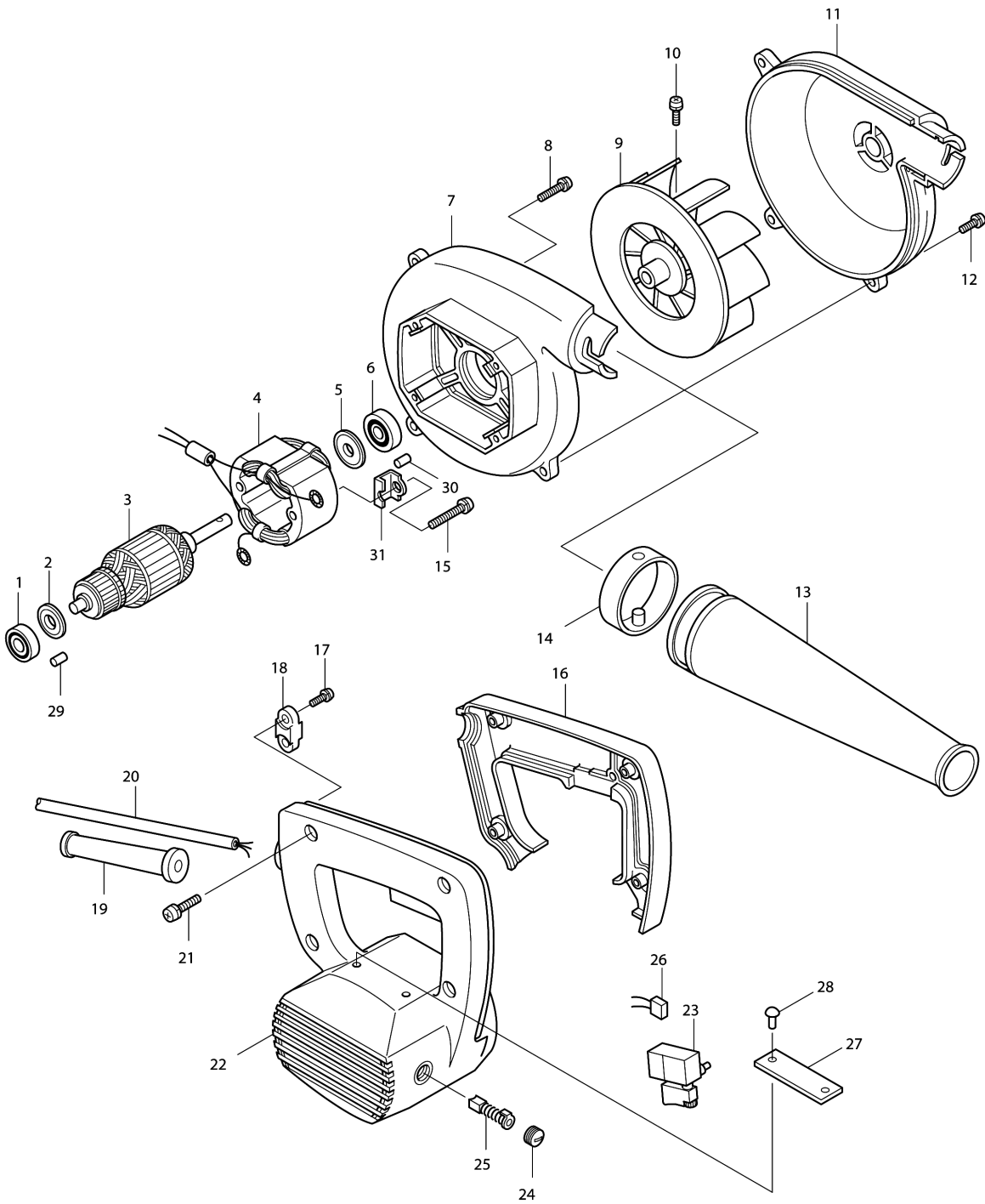


Model No.4014N BLOWER



Model No.4014N BLOWER

Item	Parts No.	Description	I/C	Qty	New/Old	Opt. 1	Opt. 2	Note
001	211033-2	BALL BEARING 608LB		1				
002	213002-9	DUST SEAL 8		1				
003C_	512838-6	ARMATURE ASS'Y 220V		1				
D10		INC. 1-3,5,6						
004C1	594078-8	FIELD ASS'Y 220V		1				
C10	654019-7	RING TERMINAL		2				
C20	654501-6	CONNECTOR P-1.25		2				
005	213052-4	DUST SEAL 9		1				
006	211056-0	BALL BEARING 629LLB		1	*			
006-1	210042-8	BALL BEARING 629LLB	O	1				
007	157464-0	FAN HOUSING		1	*			
D10		INC. 30			*			
007-1	159855-1	FAN HOUSING COMPLETE	S	1				
D10		INC. 30						
008	911163-6	PAN HEAD SCREW M4X35		4				
009	241807-7	FAN 110		1	*			
009-1	241888-1	FAN 110	O	1				
010	911117-3	PAN HEAD SCREW M4X12		1				
011	410482-2	FAN COVER		1	*			
011-1	415921-7	FAN COVER	S	1				
012	911133-5	PAN HEAD SCREW M4X18		4				
013-1	132025-7	NOZZLE ASS'Y		1				
D10		INC. 14						
014-1	414145-2	JOINT		1				
015-1	911265-8	PAN HEAD SCREW M5X40		2				
016	410480-6	HANDLE COVER		1				
017-1	911133-5	PAN HEAD SCREW M4X18		2				
018D_	687031-2	STRAIN RELIEF		1				
019A_	682502-4	CORD GUARD 8-85		1				
020A_	665394-6	POWER SUPPLY CORD 1.0-2-2.5		1				
021	911148-2	PAN HEAD SCREW M4X25		4				
022	157463-2	MOTOR HOUSING		1				
C10	643603-3	BRUSH HOLDER 6-10		2	*			
C11	643609-1	BRUSH HOLDER 6-10	O	2				
D10		INC. 29						
023	651315-4	SWITCH SGEL208M		1				
024	643600-9	BRUSH HOLDER CAP 6-10		2				
025B_	181030-1	CARBON BRUSH CB-100		1	*			
025B1	194974-6	CARBON BRUSH SET CB-100	O	1				
026E2	645253-0	NOISE SUPPRESSOR		1				
027-1	858353-9	NAME PLATE 4014N		1				
029	263002-9	RUBBER PIN 4		1				
030	263002-9	RUBBER PIN 4		1				
031	343657-7	RETAINER		2				
400-1	122321-1	DUST BAG ASS'Y		1				

Please order the parts with part number.

Print Date 24/10/2023

Model No.4014N BLOWER

Item	Parts No.	Description	I/C	Qty	New/Old	Opt. 1	Opt. 2	Note
C10	410602-8	FASTENER		1				
F07	191496-7	FLEXIBLE HOSE SET28(IVO)		1				

Please order the parts with part number.

Print Date 24/10/2023