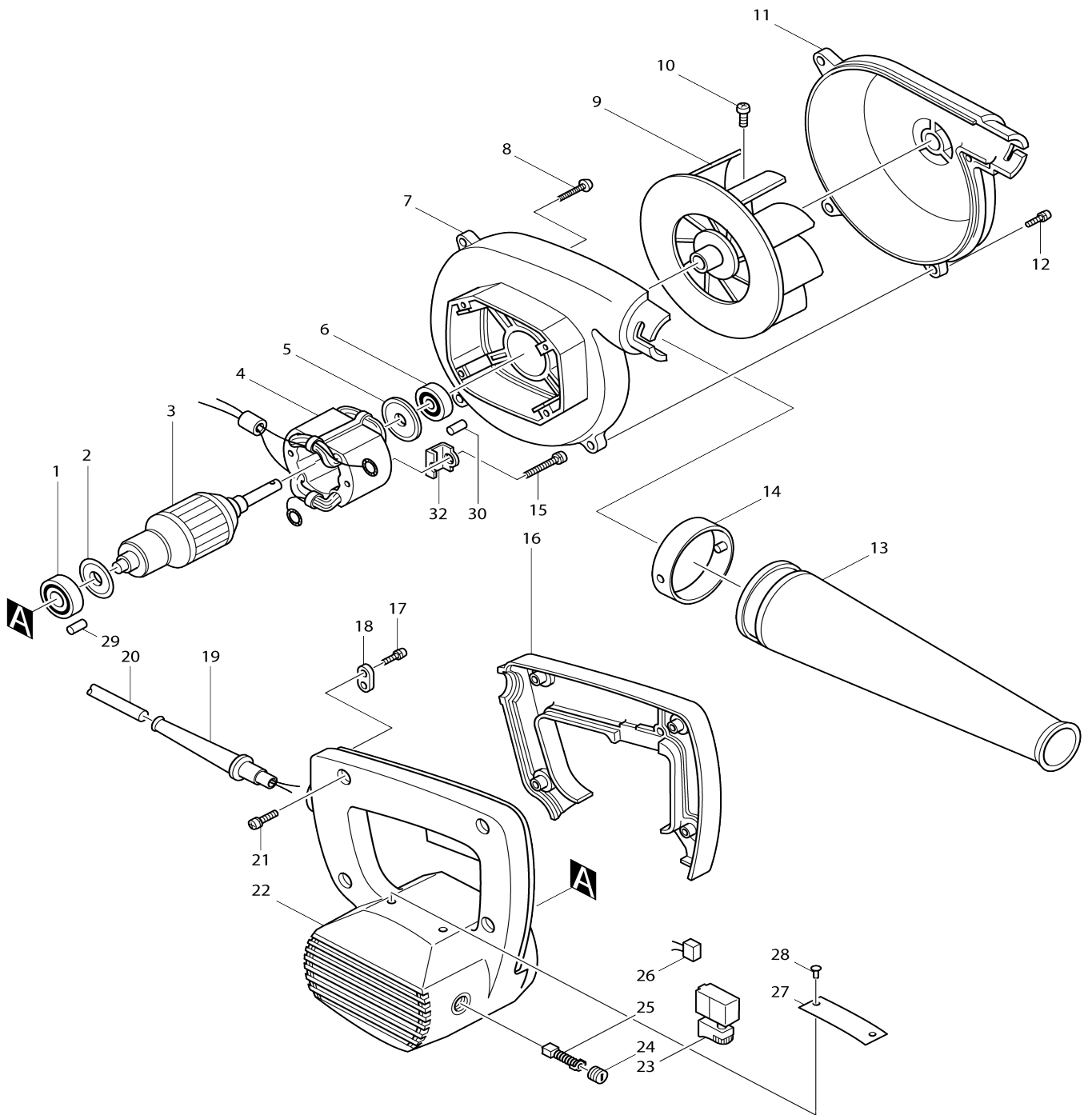


# Model No.4014NV BLOWER



# Model No.4014NV BLOWER

| Item No. | Parts No. | Description                 | Interchangability | Q'ty | New/Old | Note1 | Note2 |
|----------|-----------|-----------------------------|-------------------|------|---------|-------|-------|
| 001      | 211033-2  | BALL BEARING 608LB          |                   | 1    |         |       |       |
| 002      | 213002-9  | DUST SEAL 8                 |                   | 1    |         |       |       |
| 003C_    | 512838-6  | ARMATURE ASS'Y 220V         |                   | 1    |         |       |       |
| D10      |           | INC. 1,2,5,6                |                   |      |         |       |       |
| 004E_    | 528766-5  | FIELD ASS'Y 220V            |                   | 1    |         |       |       |
| C10      | 654019-7  | RING TERMINAL               |                   | 2    |         |       |       |
| C20      | 654501-6  | CONNECTOR P-1.25            |                   | 2    |         |       |       |
| 005      | 213052-4  | DUST SEAL 9                 |                   | 1    |         |       |       |
| 006      | 211056-0  | BALL BEARING 629LLB         |                   | 1    | *       |       |       |
| 006-1    | 210042-8  | BALL BEARING 629LLB         | O                 | 1    |         |       |       |
| 007      | 157464-0  | FAN HOUSING                 |                   | 1    | *       |       |       |
| D10      |           | INC. 30                     |                   |      |         |       |       |
| 007-1    | 159855-1  | FAN HOUSING COMPLETE        | S                 | 1    |         |       |       |
| D10      |           | INC. 30                     |                   |      |         |       |       |
| 008      | 911163-6  | PAN HEAD SCREW M4X35        |                   | 4    |         |       |       |
| 009      | 241807-7  | FAN 110                     |                   | 1    | *       |       |       |
| 009-1    | 241888-1  | FAN 110                     | O                 | 1    |         |       |       |
| 010      | 911117-3  | PAN HEAD SCREW M4X12        |                   | 1    |         |       |       |
| 011      | 410482-2  | FAN COVER                   |                   | 1    | *       |       |       |
| 011-1    | 415921-7  | FAN COVER                   | S                 | 1    |         |       |       |
| 012      | 911133-5  | PAN HEAD SCREW M4X18        |                   | 4    |         |       |       |
| 013-1    | 132025-7  | NOZZLE ASS'Y                |                   | 1    |         |       |       |
| D10      |           | INC. 14                     |                   |      |         |       |       |
| 014-1    | 414145-2  | JOINT                       |                   | 1    |         |       |       |
| 015-1    | 911265-8  | PAN HEAD SCREW M5X40        |                   | 2    |         |       |       |
| 016      | 410480-6  | HANDLE COVER                |                   | 1    |         |       |       |
| 017-1    | 911133-5  | PAN HEAD SCREW M4X18        |                   | 2    |         |       |       |
| 018      | 687001-1  | STRAIN RELIEF               |                   | 1    |         |       |       |
| 019A_    | 682502-4  | CORD GUARD 8-85             |                   | 1    |         |       |       |
| 020T_    | 666066-6  | POWER SUPPLY CORD 1.0-2-2.5 |                   | 1    |         |       |       |
| 021      | 911148-2  | PAN HEAD SCREW M4X25        |                   | 4    |         |       |       |
| 022      | 157463-2  | MOTOR HOUSING               |                   | 1    |         |       |       |
| C10      | 643603-3  | BRUSH HOLDER 6-10           |                   | 2    | *       |       |       |
| C11      | 643609-1  | BRUSH HOLDER 6-10           | O                 | 2    |         |       |       |
| D10      |           | INC. 29                     |                   |      |         |       |       |
| 023D_    | 651256-4  | SWITCH SGEL106CV-1A         |                   | 1    |         |       |       |
| 024      | 643600-9  | BRUSH HOLDER CAP 6-10       |                   | 2    |         |       |       |
| 025B_    | 181030-1  | CARBON BRUSH CB-100         |                   | 1    | *       |       |       |
| 025B1    | 194974-6  | CARBON BRUSH SET CB-100     | O                 | 1    |         |       |       |
| 026F_    | 645253-0  | NOISE SUPPRESSOR            |                   | 1    |         |       |       |
| 027-1    | 858355-5  | NAME PLATE 4014NV           |                   | 1    |         |       |       |
| 029      | 263002-9  | RUBBER PIN 4                |                   | 1    |         |       |       |
| 030      | 263002-9  | RUBBER PIN 4                |                   | 1    |         |       |       |
| 032      | 343657-7  | RETAINER                    |                   | 2    |         |       |       |
| 400-1    | 122321-1  | DUST BAG ASS'Y              |                   | 1    |         |       |       |
| C10      | 410602-8  | FASTENER                    |                   | 1    |         |       |       |
| F07      | 191496-7  | FLEXIBLE HOSE SET28(IVO)    |                   | 1    |         |       |       |

Please state Parts No. when your order.

Print Date 10/25/2023