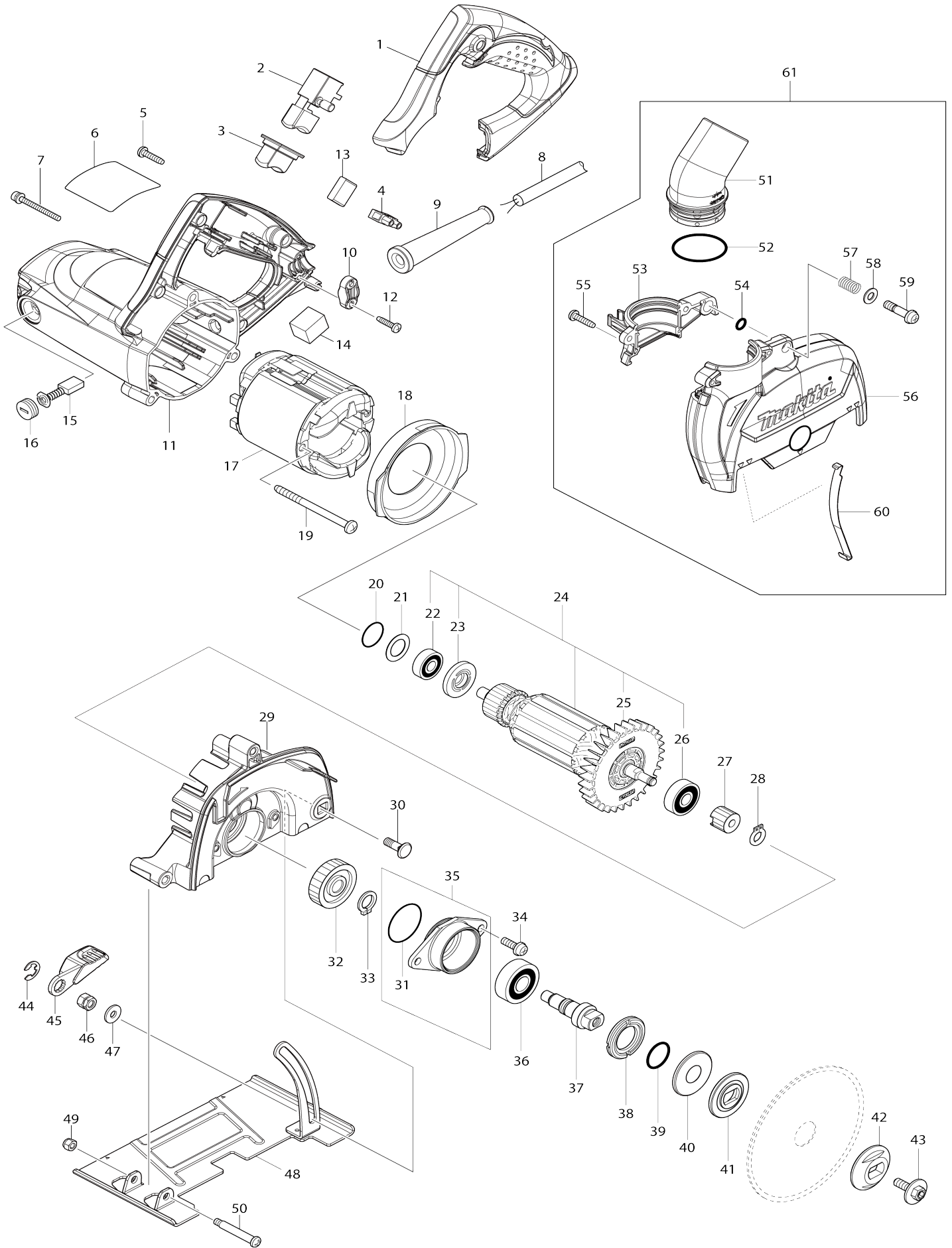


Model No.4100KB 125MM DUSTLESS CUTTER



Model No.4100KB 125MM DUSTLESS CUTTER

Item No.	Parts No.	Description	Interchangability	Q'ty	New/Old	Note1	Note2
001	450838-7	HANDLE COVER		1			
002	650248-0	SWITCH SGES115C-3		1			
003	424585-6	DUST COVER		1			
004	654532-5	TERMINAL BLOCK 1P		1			
005	265995-6	TAPPING SCREW 4X18		4			
006	853U04-5	4100KB NAME PLATE		1			
007	911263-2	PAN HEAD SCREW M5X40		3			
008	665865-3	POWER SUPPLY CORD 1.0-2-2.5		1			
009	682540-6	CORD GUARD 9.3-90		1			
010	687124-5	STRAIN RELIEF		1			
011	141726-6	MOTOR HOUSING COMPLETE		1			
C10	643708-9	BRUSH HOLDER 5-11		2			
012	265995-6	TAPPING SCREW 4X18		2			
013	645200-1	NOISE SUPPRESSOR		1			
014	424634-9	SPONGE		1			
015	191963-2	CARBON BRUSH CB-303		1			
016	643750-0	BRUSH HOLDER CAP 7-11		2			
017	599095-3	FIELD ASSY 220V		1			
C10	654020-2	RING TERMINAL		2			
C20	654501-6	CONNECTOR P-1.25		2	*		
C21	654485-8	PARALLEL SPLICE	O	2			
018	450839-5	BUFFLE PLATE		1			
019	266038-7	TAPPING SCREW 5X70		2			
020	213262-3	O RING 18		1			
021	253192-6	FLAT WASHER 14		1			
022	211395-8	BALL BEARING 608LLU		1			
023	681644-1	INSULATION WASHER		1			
024	513769-2	ARMATURE ASS'Y 240V		1			
D10		INC. 22,23,25,26					
025	240109-8	FAN 70		1			
026	211092-6	BALL BEARING 629DDW		1			
027	226695-3	HELICAL GEAR 17		1			
028	961002-0	RETAINING RING S-6		1			
029	144781-7	GEAR HOUSING COMPLETE		1			
C10	213445-5	O-RING 26		1			
030	251586-9	FLAT HEAD SQUARE NECK BOLT M6X		1			
031	213444-7	O RING 30		1			
032	226696-1	HELICAL GEAR 44		1			
033	961052-5	RETAINING RING (EXT) S-12		1			
034	911223-4	PAN HEAD SCREW M5X16		2			
035	135948-8	BEARING BOX ASSEMBLY		1			
D10		INC. 31					
036	211129-9	BALL BEARING 6201DDW		1			
037	325603-2	SPINDLE		1			
038	285858-0	BEARING RETAINER 19-33		1			
039	213279-6	O RING 18		1			
040	253397-8	CUP WASHER 15		1			

041	224423-0	INNER FLANGE 36		1		
042	224424-8	OUTER FLANGE 36		1		
043	266510-9	HEX. SOCKET HEX. BOLT M6X18		1		
044	257982-9	BOW STOP RING E-8		1		
045	271443-5	LEVER 49		1		
046	264103-6	HEX. NUT M6		1		
047	253111-2	FLAT WASHER 6		1		
048	161775-7	BASE		1		
049	252103-8	HEX. LOCK NUT M5-8		1		
050	266515-9	+ PAN HEAD SCREW M5		1		
051	416741-2	ELBOW		1		
052	213460-9	O RING 35		1		
053	458035-9	DUST COVER R		1		
054	213005-3	O RING 5		1		
055	265995-6	TAPPING SCREW 4X18		2		
056	458605-4	DUST COVER L		1		
057	233267-7	COMPRESSION SPRING 7		1		
058	941151-9	FLAT WASHER 6		1		
059	265658-4	PAN HEAD SCREW M6X26		1		
060	347305-0	PLATE		1		
061	126911-2	DUST COVER ASSEMBLY		1		
A01	781041-2	WRENCH 22		1		
A02	783203-8	HEX. WRENCH 5		1		
A03	126738-0	DUST BAG ASSEMBLY		1		
A04	A-84115	DIAMOND WHEEL SEGMENTED1 25MM		1		
A05	821552-6	CONNECTOR PLASTIC CASE (TYP E4)		1		
C10	453974-8	LATCH		4		
A06	813X46-9	4100KBJ INDICATION LABEL		1	*	
A06-1	817F04-9	4100KBJ INDICATION LABEL	<	1		
A07	813X47-7	4100KBJ PLASTIC CASE LABEL		2		
A08	839436-4	INNER TRAY		1		
F02	198673-2	GUIDE RAIL ADAPTER SET		1		
F03	196944-1	REAR COVER ATTACHMENT SET		1		
F04	199140-0	GUIDE RAIL 1000 SET		1		

Please state Parts No. when your order.

Print Date 10/05/2023