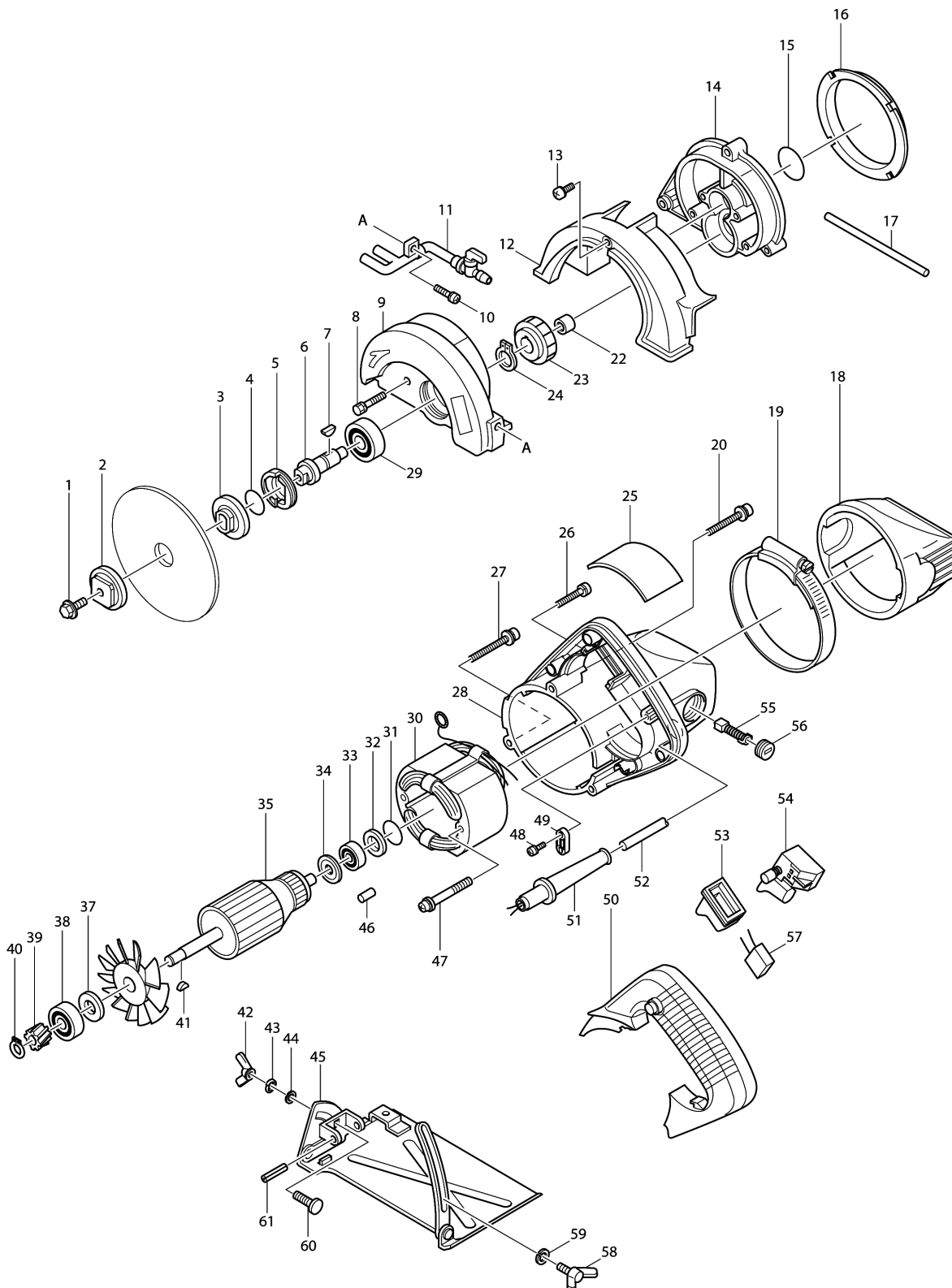


Model No.4101R CUTTER 110MM



Model No.4101R CUTTER 110MM

Item	Parts No.	Description	I/C	Qty	New/Old	Opt. 1	Opt. 2	Note
001	265226-3	HEX. FLANGE HEAD BOLT M6X17		1				
002	224081-2	OUTER FLANGE 36		1				
003	224080-4	INNER FLANGE 36		1				
004	213255-0	O RING 18		1				
005	285815-8	BEARING RETAINER 19-33		1				
006	321197-5	SPINDLE		1				
007	254001-2	WOODRUFF KEY 4		1				
008	925146-0	+ HEX. BOLT M4X25		4				
009	150179-8	BLADE CASE COMPLETE		1				
C10	817667-5	CAUTION LABEL		1				
010	911123-8	PAN HEAD SCREW M4X14		1				
011	150172-2	PIPE COMPLETE		1	*			
C10	213014-2	O RING 3		1	*			
011-1	153409-6	WATER SUPPLY PIPE COMPLETE	<	1				
C10	213014-2	O RING 3		1				
012	410910-7	COVER B		1				
013	911203-0	PAN HEAD SCREW M5X8		1				
014	159219-9	GEAR HOUSING		1	*			
D11		INC. 15			*			
014-1	150926-7	GEAR HOUSING COMPLETE	O	1				
D10		INC. 15						
015-1	213407-3	O RING 26		1				
016	343289-0	BAFFLE PLATE		1				
017	423155-8	SEAL RUBBER		1				
018	414074-9	COVER A		1				
019	163282-6	CLAMP 90		1				
020	911258-5	PAN HEAD SCREW M5X35		1				
022	212004-2	NEEDLE BEARING 810		1				
023	221777-6	HELICAL GEAR 41		1				
024	961052-5	RETAINING RING (EXT) S-12		1				
025	856778-1	NAME PLATE 4101R		1				
026	911148-2	PAN HEAD SCREW M4X25		4				
027	911263-2	PAN HEAD SCREW M5X40		2				
028A1	159183-4	MOTOR HOUSING		1	*			
C10	643751-8	BRUSH HOLDER		2	*			
C20	817906-3	CAUTION LABEL		1	*			
D10		INC. 46			*			
028A2	159184-2	MOTOR HOUSING COMPLETE	O	1				
C10	643751-8	BRUSH HOLDER		2				
D10		INC. 46						
029	211129-9	BALL BEARING 6201DDW		1				
030C_	520039-2	FIELD ASS'Y 220V		1				
C10	654020-2	RING TERMINAL		2				
C20	654502-4	CONNECTOR P-2		2				

Please order the parts with part number.

Print Date 24/10/2023

Model No.4101R CUTTER 110MM

Item	Parts No.	Description	I/C	Qty	New/Old	Opt. 1	Opt. 2	Note
031	213262-3	O RING 18		1				
032	253192-6	FLAT WASHER 14		1				
033	211033-2	BALL BEARING 608LB		1				
034	681613-2	INSULATION WASHER		1				
035C1	516088-5	ARMATURE ASS'Y 220V		1				
D10		INC. 33,34,36-38						
036	241520-7	FAN 68		1				
037	253741-9	FLAT WASHER 9		1				
038-1	211056-0	BALL BEARING 629LLB		1	*			
038-2	210042-8	BALL BEARING 629LLB	O	1				
039	221776-8	HELICAL GEAR 19		1				
040	961004-6	RETAINING RING (EXT) S-8		1				
041	254002-0	WOODRUFF KEY 3		1				
042	252623-2	WING NUT M6		1				
043	942151-2	SPRING WASHER 6		1	*			
044	941151-9	FLAT WASHER 6		1				
045	168216-4	BASE		1				
046	263002-9	RUBBER PIN 4		1				
047	911285-2	PAN HEAD SCREW M5X60		2				
048	911133-5	PAN HEAD SCREW M4X18		2				
049A_	687063-9	CORD CLAMP		1	*			
049A1	687052-4	STRAIN RELIEF	X	1				
050A_	414741-6	HANDLE COVER		1				
051B_	682516-3	CORD GUARD 9.3-85		1				
052R1	665918-8	POWER SUPPLY CORD 1.0-2-2.5		1				
053	421329-5	DUST COVER		1				
054C_	651236-0	SWITCH C2M-M1T		1				
055-1	191941-2	CARBON BRUSH CB-251		1	*			
055-2	194547-5	CARBON BRUSH CB-253	<	1	*			
055-3	194994-0	CARBON BRUSH SET CB-253	O	1				
056	643750-0	BRUSH HOLDER CAP 7-11		2				
057C_	645200-1	NOISE SUPPRESSOR		1				
058	251886-7	WING BOLT M6X10		1				
059	942151-2	SPRING WASHER 6		1	*			
060	251919-8	CAP SQUARE NECK BOLT M6X20		1				
061	951219-3	SPRING PIN 6-32		1				
401	421125-1	PLUG		1	*			
401-1	421835-0	WATER SUPPLY PLUG	O	1				
402	412010-9	VINYL TUBE 5X7X5000		1				
403	781011-1	WRENCH 22		1				
404	782209-3	SOCKET WRENCH 9		1				
500	134589-7	PIPE ASS'Y		1				
D10		INC. 11,401,402						

Please order the parts with part number.

Print Date 24/10/2023