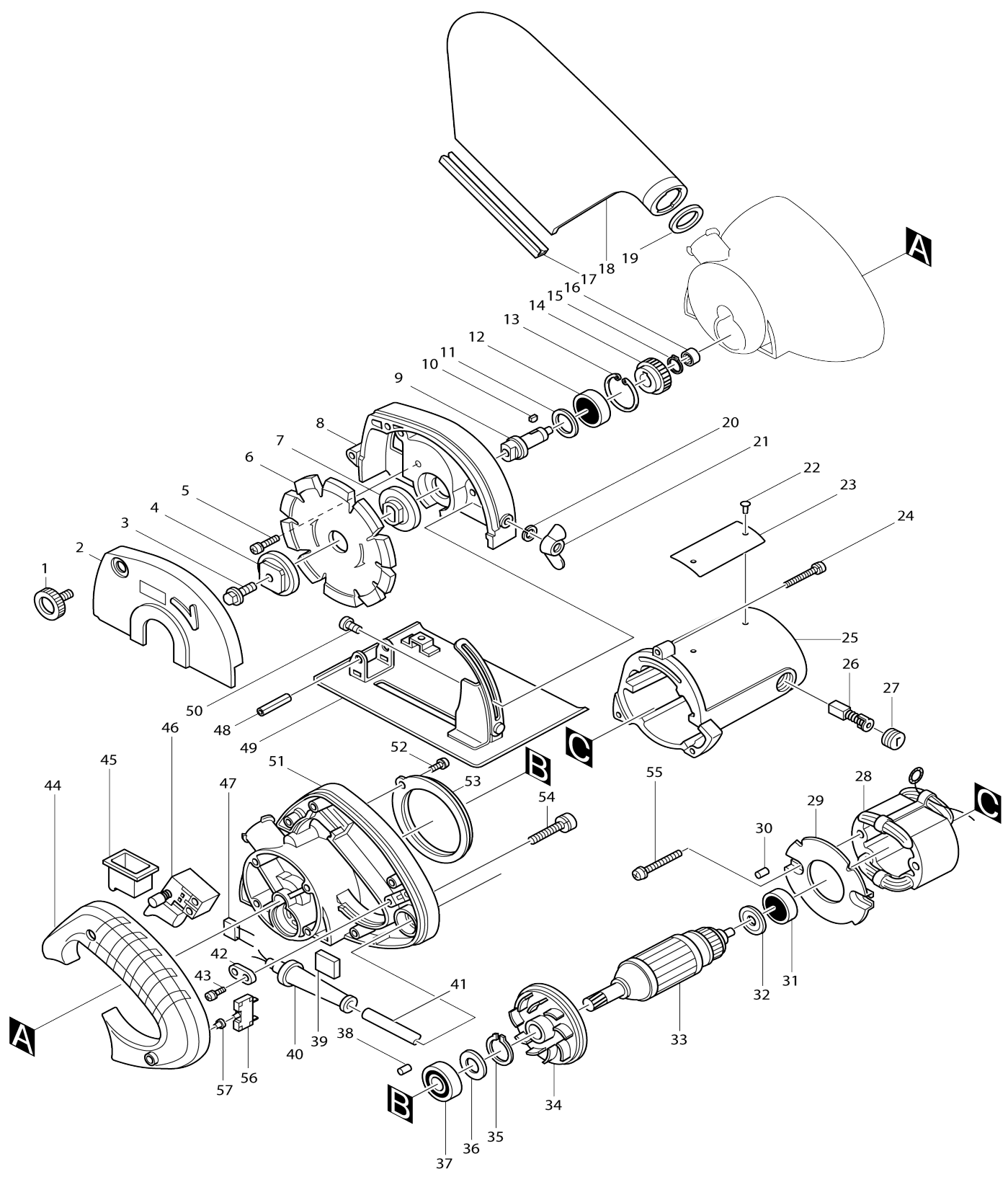


Model No.4105KB DUSTLESS CUTTER 125MM



Model No.4105KB DUSTLESS CUTTER 125MM

Item No.	Parts No.	Description	Interchangability	Q'ty	New/Old	Note1	Note2
001	251812-6	SCREW M5X10		1	*		
001-1	911206-4	PAN HEAD SCREW M5X10	O	1			
002	155463-6	Blade cover complete		1	*		
C10	817667-5	CAUTION LABEL		1	*		
002-1	140428-1	Blade cover complete	O	1			
C10	817667-5	CAUTION LABEL		1			
003	265226-3	HEX. FLANGE HEAD BOLT M6X17		1	*		
003-1	266133-3	HEX. SOCKET HEAD BOLT M6X20	X	1			
004	224081-2	OUTER FLANGE 36		1			
005	911131-9	PAN HEAD SCREW M4X18		4			
006	792282-5	Diamond wheel 125 (1 pc)		1	*		
006-1	724920-1	Diamond wheel 125	X	1			
007	224080-4	INNER FLANGE 36		1			
008	315360-0	Blade case		1			
009	321383-8	Spindle		1			
010	254011-9	WOODRUFF KEY 4		1			
011	253335-0	Thin washer 12		1			
012-1	211129-9	BALL BEARING 6201DDW		1			
013	962151-6	RETAINING RING R-32		1			
014	221692-4	Helical gear 40		1			
015	961052-5	RETAINING RING (EXT) S-12		1			
016	212019-9	NEEDLE BEARING 709		1			
017	411301-5	FASTENER		1			
018	122191-8	DUST BAG ASS'Y		1	*		
D10		INC. 17,19					
018-1	123185-6	DUST BAG ASSEMBLY	O	1	*		
D10		INC. 17,19					
018-2	123185-6	DUST BAG ASSEMBLY	<	1			
D10		INC. 17,19					
019	262018-1	RUBBER RING 26		1			
020	942151-2	SPRING WASHER 6		1			
021	934301-3	WING NUT M6		1			
022	953106-2	RIVET 0-5		2			
023	854596-1	Name plate 4105KB		1	*		
023-1	854596-1	Name plate 4105KB	<	1			
024	911263-2	PAN HEAD SCREW M5X40		3			
025	156300-7	MOTOR HOUSING		1			
C10	643603-3	BRUSH HOLDER 6-10		2			
C20	913206-0	SET SCREW M5X8		2			
D10		INC. 30					
026-1	181030-1	CARBON BRUSH CB-100		1			
027	643600-9	BRUSH HOLDER CAP 6-10		2			
028C_	522533-0	Field assembly 220V		1			
C10	654019-7	RING TERMINAL		2			
C20	654502-4	CONNECTOR P-2		2			
029	411902-9	BAFFLE PLATE		1			
030-1	263014-2	RUBBER PIN 4		1			

031	211031-6	BALL BEARING 608LLB		1		
032-1	681613-2	INSULATION WASHER		1		
033C1	512923-5	Armature assembly 220V		1		
D10		INC. 31,32,34-37				
034	241636-8	Fan 72		1		
035	961052-5	RETAINING RING (EXT) S-12		1		
036-1	253978-8	Washer 12		1		
037-1	211131-2	BALL BEARING 6001DDW		1		
038-1	263014-2	RUBBER PIN 4		1		
039	685700-9	SPONGE SHEET		1		
040A_	682502-4	CORD GUARD 8-85		1		
041A_	665394-6	POWER SUPPLY CORD 1.0-2-2.5		1		
042C_	687031-2	STRAIN RELIEF		1		
043-1	911133-5	PAN HEAD SCREW M4X18		2		
044-1	155919-9	Handle cover complete (blue)		1	*	
C10	817889-7	Caution label		1	*	
044-2	142662-9	Handle cover complete (blue)	S	1		
C10	817889-7	Caution label		1		
045	421142-1	SWITCH COVER		1		
046F1	651236-0	SWITCH C2M-M1T		1	*	
046F2	650210-5	SWITCH SGE215C-3	S	1	*	
046F3	651252-2	SWITCH SGE215C	S	1		
047A_	645200-1	NOISE SUPPRESSOR		1		
048	951222-4	SPRING PIN 6-36		1		
049A_	168165-5	Base		1		
050	251919-8	CAP SQUARE NECK BOLT M6X20		1		
051-1	157540-0	Gear housing complete (blue)		1		
D10		INC. 38				
052	911113-1	PAN HEAD SCREW M4X10 WITH WR		1		
053	162097-8	SEPARATOR		1		
054	911143-2	PAN HEAD SCREW M4X22		4		
055-2	911686-4	PAN HEAD SCREW M5X65		2		
056C_	652603-2	Overcurrent relay 220V		1		
057	410192-1	RELAY COVER		1		
400	781011-1	WRENCH 22		1		
401	782209-3	SOCKET WRENCH 9		1	*	
401-1	783203-8	HEX. WRENCH 5		1		
402	410047-0	WRENCH HOLDER 5.6		1		
900	257199-4	Ring 20		1		

Please state Parts No. when your order.

Print Date 10/05/2023