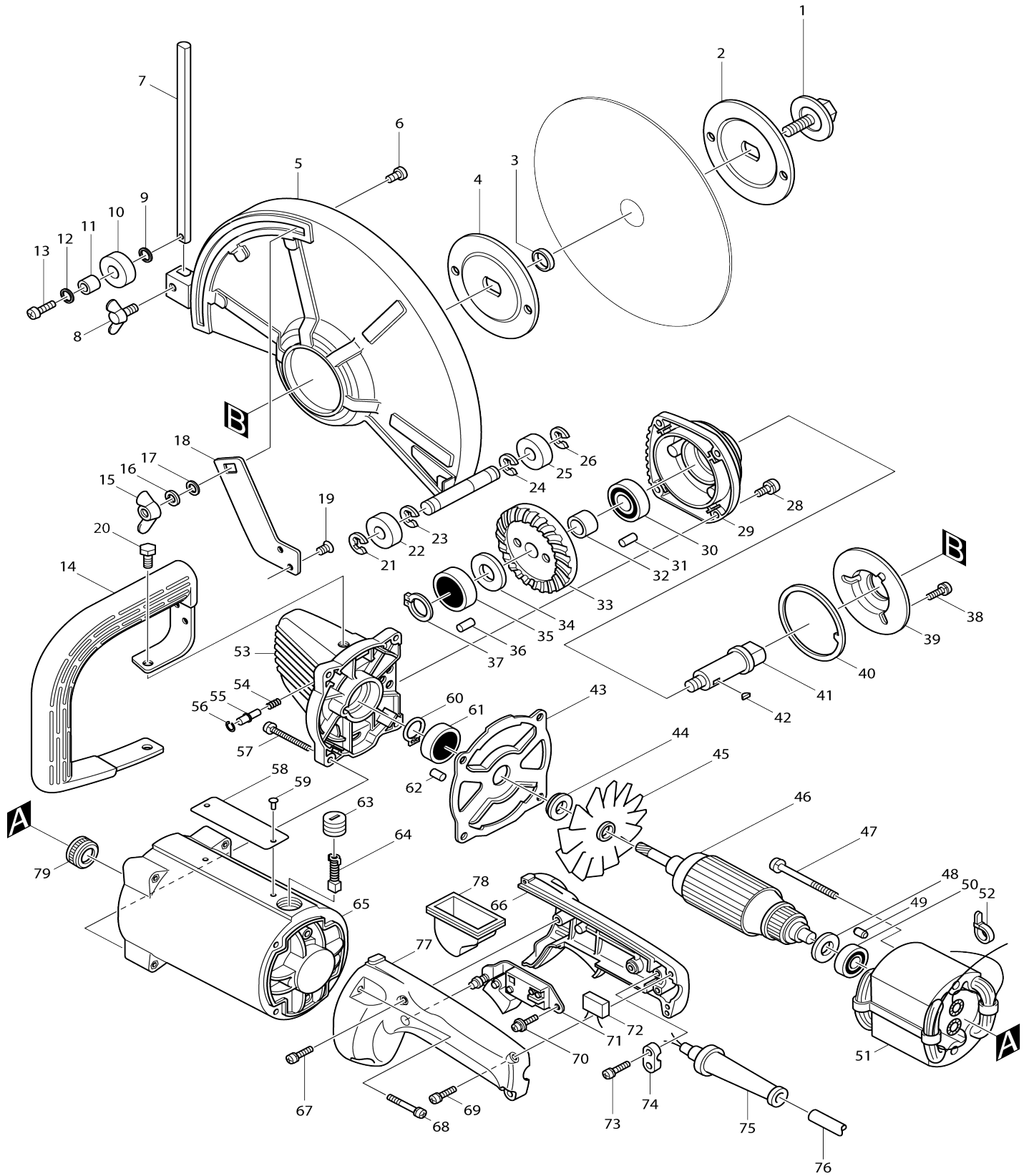


Model No.4110C ANGLE CUTTER 255MM



Model No.4110C ANGLE CUTTER 255MM

Item No.	Parts No.	Description	Interchangability	Q'ty	New/Old	Note1	Note2
001	265265-3	HEX. BOLT M10X25		1			
002	224184-2	INNER FLANGE 100		1			
003	257054-0	RING 20		1			
004	224184-2	INNER FLANGE 100		1			
005A1	150188-7	SAFETY COVER COMPLETE		1			
C10	810623-4	CAUTION LABEL		1			
006	251918-0	CAP SQUARE NECK BOLT M8X24		1			
007	256923-2	ROD 12-210		1			
008	251859-0	WING BOLT M8X12		1			
009	253143-9	FLAT WASHER 12		1			
010	257091-4	RING 12		1			
011	257580-9	SLEEVE 8		1			
012	253143-9	FLAT WASHER 12		1			
013-1	911432-5	PAN HEAD SCREW M8X20		1			
014	273615-8	GRIP		1			
015	934401-9	WING NUT M8		1			
016	942201-3	SPRING WASHER 8		1			
017	941201-0	FLAT WASHER 8		1			
018	341854-9	LOCK PLATE		1			
019	912202-5	COUNTERSUNK HEAD SCREW M5X8		2			
020	921422-0	HEX. BOLT M8X16		2			
021	961015-1	STOP RING E-9		1			
022	257091-4	RING 12		1			
023	961015-1	STOP RING E-9		1			
024	961015-1	STOP RING E-9		1			
025	257091-4	RING 12		1			
026	961015-1	STOP RING E-9		1			
028-2	922236-0	HEX. SOCKET HEAD BOLT M5X22		4			
029	152203-3	BEARING BOX COMPLETE		1			
D10		INC. 31					
030	211256-2	BALL BEARING 6203LLB		1			
031	263002-9	RUBBER PIN 4		1			
032	257576-0	SLEEVE 17		1			
033	221353-6	SPIRAL BEVEL GEAR 55		1			
034	253180-3	FLAT WASHER 10		1			
035-1	211066-7	BALL BEARING 6200LLB		1			
036	263002-9	RUBBER PIN 4		1			
037	961006-2	RETAINING RING S-10		1			
038	911206-4	PAN HEAD SCREW M5X10		3			
039	162107-1	PRESSURE PLATE		1			
040	341853-1	PLATE B		1			
041	321443-6	SPINDLE		1			
042	254001-2	WOODRUFF KEY 4		1			
043-1	343453-3	BAFFLE PLATE		1			
044	321444-4	BUSH 15		1			
045	241317-4	FAN 100		1			
046F3	514713-2	ARMATURE ASS'Y 220V		1			

D10		INC. 44,45,48,50				
047-1	911938-3	PAN HEAD SCREW M5X85		2		
048-4	681635-2	INSULATION WASHER		1		
050-3	211088-7	BALL BEARING 6000DDW		1		
051F1	524673-0	FIELD ASS'Y 220V		1		
C10	654020-2	RING TERMINAL		2		
C20	654502-4	CONNECTOR P-2		2		
052	687010-0	BAND		1		
053-2	157905-6	GEAR HOUSING		1		
054	231240-1	COMPRESSION SPRING 7		1		
055	256633-1	PIN 6		1		
056	231928-3	RING SPRING 8		1		
057	911261-6	PAN HEAD SCREW M5X40		4		
058	854730-3	NAME PLATE 4110C		1		
059	953106-2	RIVET 0-5		2		
060	961055-9	RETAINING RING S-15		1		
061	211206-7	BALL BEARING 6202LLB		1		
062	263005-3	RUBBER PIN 6		1		
063	643650-4	BRUSH HOLDER CAP 6.5-13.5		2	*	
063-1	643650-4	BRUSH HOLDER CAP 6.5-13.5	O	2		
064-1	181044-0	CARBON BRUSH CB-153		1	*	
064-2	194985-1	CARBON BRUSH SET CB-153	O	1		
065-4	156738-6	MOTOR HOUSING		1	*	
065-5	159687-6	MOTOR HOUSING COMPLETE	S	1		
C10	643660-1	BRUSH HOLDER 6.5-13.5		2		
066B_	181442-8	HANDLE SET		1	*	
D10		INC. 77				
066B1	181908-8	HANDLE SET	X	1		
D10		INC. 77				
067-1	911148-2	PAN HEAD SCREW M4X25		2		
068	911248-8	PAN HEAD SCREW M5X28		2		
069-1	911148-2	PAN HEAD SCREW M4X25		1		
070A_	911113-1	PAN HEAD SCREW M4X10 WITH WR		2		
071C_	651131-4	SWITCH C3D-15MS		1	*	
071C1	651142-9	SWITCH C3D-15CS	X	1		
072A_	645200-1	NOISE SUPPRESSOR		1		
073A_	911133-5	PAN HEAD SCREW M4X18		2		
074C1	687031-2	STRAIN RELIEF		1		
075C_	682540-6	CORD GUARD 9.3-90		1	*	
075C1	682505-8	CORD GUARD 10-90	O	1		
076R1	665865-3	POWER SUPPLY CORD 1.0-2-2.5		1		
077B_	181442-8	HANDLE SET		1	*	
D10		INC. 66				
077B1	181908-8	HANDLE SET	X	1		
D10		INC. 66				
078	421279-4	DUST COVER F/AC/DC SWITCH		1		
079	421417-8	RUBBER RING 26		1	*	
079-1	421490-8	RUBBER RING 26	S	1		
401	782210-8	SOCKET WRENCH 17		1		
403	182528-1	STEEL CARRYING CASE		1	*	
C10	819068-3	MAKITA MARK		1	*	

403-1	824697-9	PLASTIC CARRYING CASE	O	1	*		
C10	819145-1	MAKITA LOGO LABEL		1	*		
C20	416401-6	LATCH		2	*		
403-2	824697-9	PLASTIC CARRYING CASE	O	1			
C10	819145-1	MAKITA LOGO LABEL		1			
C20	163467-4	LATCH		2			
404	122263-9	BASE SET		1			
D10		INC. 405-410					
405	941201-0	FLAT WASHER 8		1			
406	942201-3	SPRING WASHER 8		1			
407	924416-4	WING BOLT M8X15		1			
408	941151-9	FLAT WASHER 6		1			
409	942151-2	SPRING WASHER 6		1			
410	924311-8	WING BOLT M6X12		1			

Please state Parts No. when your order.

Print Date 12/04/2023