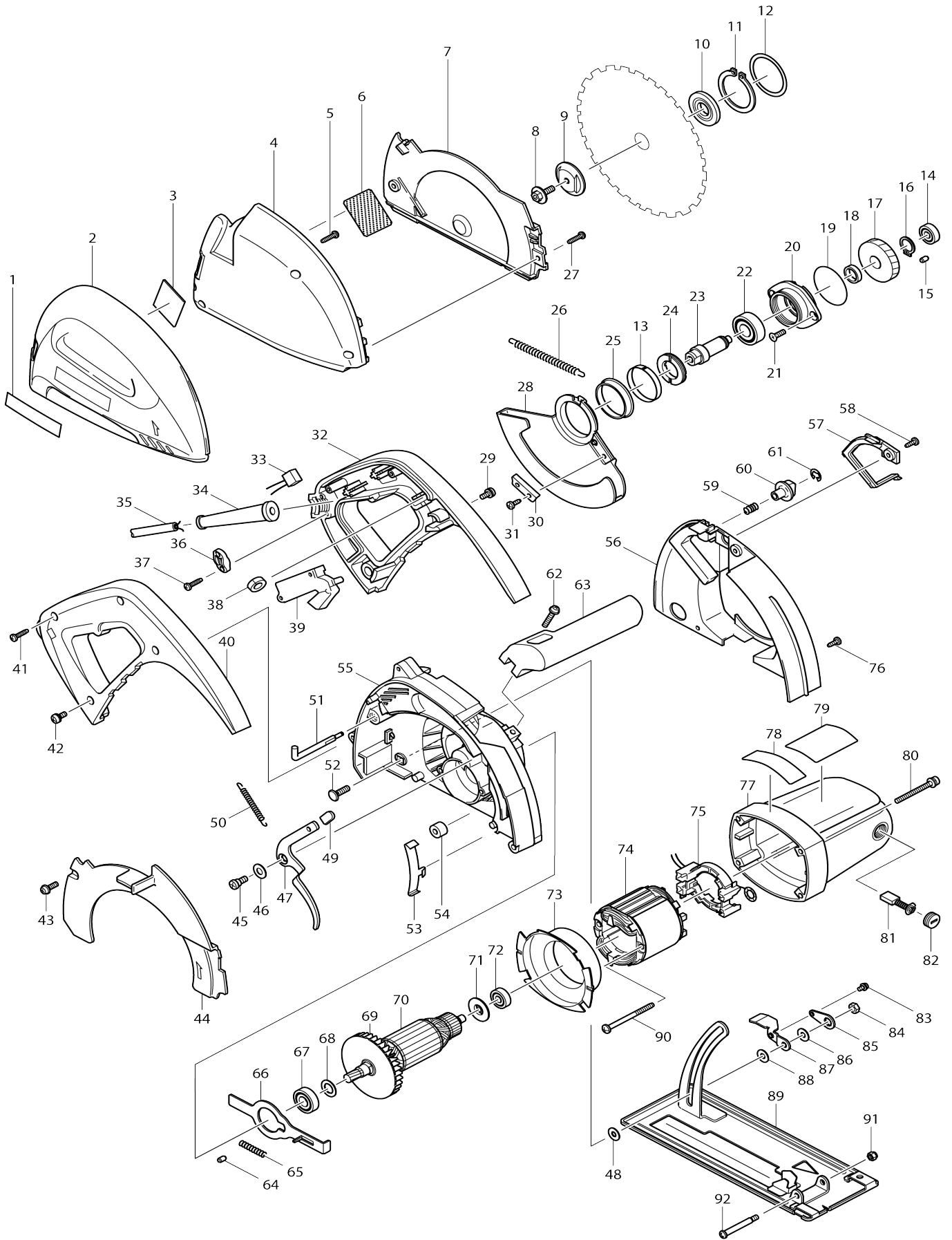


Model No.4131 METAL CUTTER 185MM



Model No.4131 METAL CUTTER 185MM

Item No.	Parts No.	Description	Interchangability	Q'ty	New/Old	Note1	Note2
001	819064-1	MAKITA MARK		1			
002	183837-1	DUST CASE COVER		1			
C10	810055-5	CAUTION LABEL		1			
D10		INC. 1					
003	431005-3	HEAT RESISTING GLASS		1			
004	317776-5	DUST CASE		1	*		
004-1	312D82-7	DUST CASE	S	1			
005	265995-6	TAPPING SCREW 4X18		2	*		
005-1	265995-6	TAPPING SCREW 4X18	S	1			
006	343760-4	PUNCHING METAL COVER		1			
007	317777-3	DUST PLATE		1			
008	266226-6	HEX. SOCKET HEAD BOLT M6X18		1	*		
008-1	266458-5	HEX.SOCKET HEX.BOLT M6X18	<	1			
009	224366-6	OUTER FLANGE 40		1			
010	224370-5	INNER FLANGE 40		1			
011	961201-4	RETAINING RING S-42		1			
012	267784-5	WASHER 42		1			
013	343759-9	THICKNESS RING		1			
014	211031-6	BALL BEARING 608LLB		1			
015	263002-9	RUBBER PIN 4		1			
016	961055-9	RETAINING RING S-15		1			
017	226591-5	HELICAL GEAR 48		1			
018	257053-2	RING 15		1			
019	213621-1	O RING 46		1			
020	316579-4	BEARING BOX		1			
021	251372-8	+ COUNTERSUNK HEAD SCREW M5X12		2			
022	211228-7	BALL BEARING 620DDW		1			
023	324475-2	SPINDLE		1			
024	285807-7	BEARING RETAINER 22-36		1			
025	345422-0	SPACER		1	*		
025-1	346880-3	SPACER	<	1			
026	231828-7	TENSION SPRING 4		1	*		
026-1	231891-0	TENSION SPRING 4	<	1			
027	265995-6	TAPPING SCREW 4X18		2			
028	317775-7	SAFETY COVER		1			
029	911213-7	PAN HEAD SCREW M5X12		2			
030	344944-7	SUB PLATE		1			
031	266026-4	TAPPING SCREW BIND CT 4X12		1			
032	183826-6	HANDLE SET		1			
D10		INC. 40					
033	645200-1	NOISE SUPPRESSOR		1			
034	682503-2	CORD GUARD 8-90		1	*		
034-1	682540-6	CORD GUARD 9.3-90	<	1	*		
034-2	682505-8	CORD GUARD 10-90	O	1			
035	665865-3	POWER SUPPLY CORD 1.0-2-2.5		1			
036	687052-4	STRAIN RELIEF		1			
037	265995-6	TAPPING SCREW 4X18		2			

038	421492-4	SPONGE RING		1		
039	651057-0	SWITCH TG71CL-2		1		
040	183826-6	HANDLE SET		1		
D10		INC. 32				
041	265995-6	TAPPING SCREW 4X18		2		
042	911213-7	PAN HEAD SCREW M5X12		2		
043	911223-4	PAN HEAD SCREW M5X16		1		
044	317778-1	BLADE COVER		1		
045	251267-5	+ PAN HEAD SCREW M6		1		
046	941201-0	FLAT WASHER 8		1		
047	345421-2	OPEN LEVER		1		
048	253783-3	FLAT WASHER 6		1		
049	421676-4	RUBBER CAP		1	*	
049-1	421903-9	RUBBER CAP	<	1		
050	231823-7	TENSION SPRING 4		1		
051	324476-0	HOOK		1		
052	266031-1	CAP SQUARE NECK BOLT M6X20		1		
053	343758-1	PROTECTOR		1		
054	262511-5	RUBBER SLEEVE 6		1		
055	153924-0	GEAR HOUSING COMPLETE		1		
D10		INC. 15,64				
056	418612-9	GEAR HOUSING COVER		1		
057	418613-7	LEAD COVER		1		
058	266026-4	TAPPING SCREW BIND CT 4X12		1		
059	231402-1	COMPRESSION SPRING 7		1		
060	271421-5	THUMB PIPE 23		1		
061	961017-7	STOP RING E-3		1		
062	911243-8	PAN HEAD SCREW M5X25		2		
063	415469-9	GRIP		1		
064	263002-9	RUBBER PIN 4		1		
065	233092-6	COMPRESSION SPRING 5		1		
066	343832-5	SHAFT LOCK		1		
067	211131-2	BALL BEARING 6001DDW		1		
068	253744-3	FLAT WASHER 12		1		
069	241876-8	FAN 76		1		
070	513578-9	ARMATURE ASS'Y 220-240V		1		
D10		INC. 67-69,71,72				
071	681634-4	INSULATION WASHER		1		
072	211031-6	BALL BEARING 608LLB		1		
073	415467-3	BAFFLE PLATE		1		
074	634513-5	FIELD 220-240V		1		
075	638358-3	SUPPORT COMPLETE		1		
076	266026-4	TAPPING SCREW BIND CT 4X12		3		
077	159685-0	MOTOR HOUSING COMPLETE		1		
C10	643754-2	BRUSH HOLDER		2		
078	816816-1	INDICATION LABEL		1		
079	860463-0	NAME PLATE 4131		1		
080	911263-2	PAN HEAD SCREW M5X40		4		
081	191963-2	CARBON BRUSH CB-303		1		
082	643750-0	BRUSH HOLDER CAP 7-11		2	*	
082-1	643515-0	HOLDER CAP 7-11	O	2		

083	911108-4	PAN HEAD SCREW M4X8		1		
084	252135-5	HEX. NUT		1		
085	341718-7	LOCK PLATE		1		
086	253804-1	FLAT WASHER 6		1		
087	342907-7	LEVER PLATE		1		
088	253804-1	FLAT WASHER 6		1		
089	165387-8	BASE		1		
090	266029-8	TAPPING SCREW 5X65		2		
091	252103-8	HEX. LOCK NUT M5-8		1		
092	265075-8	+ PAN HEAD SCREW M5		1		
A01	192219-6	SAFETY GOGGLE		1	*	
A02	410047-0	WRENCH HOLDER 5.6		1		
A03	783203-8	HEX. WRENCH 5		1		
A04	B-03931	CERMET SAW BLADE 185X30X36		1		
A05	821552-6	CONNECTOR PLASTIC CASE (TYP E4)		1		
C10	453974-8	LATCH		4		
A06	803B54-6	4131J INDICATION LABEL		1		
A07	803B55-4	4131J PLASTIC CASE LABEL		2		
A08	837894-8	INNER TRAY		1		

Please state Parts No. when your order.

Print Date 10/05/2023