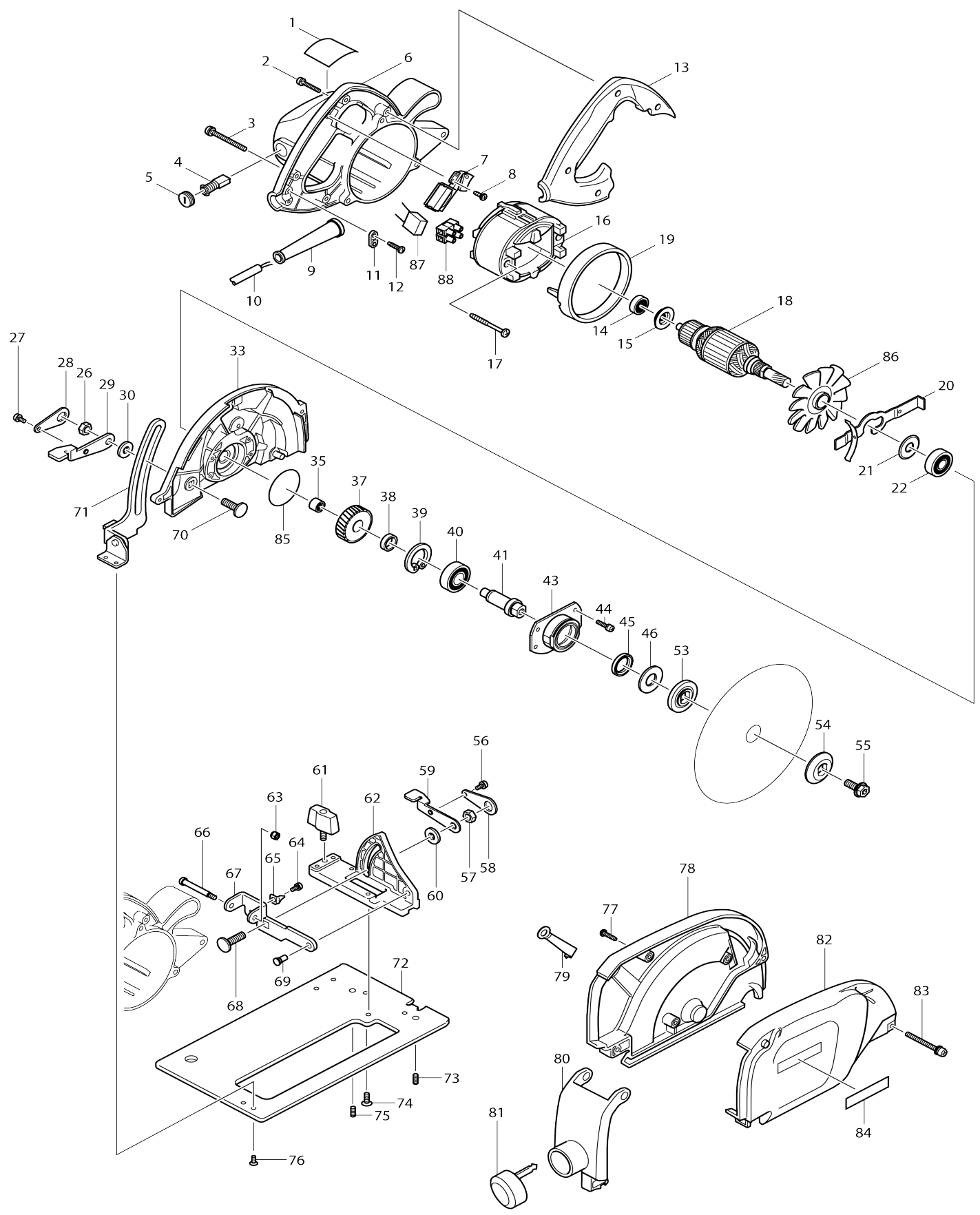


Model No.4157KB DUSTLESS CUTTER 180MM



Model No.4157KB DUSTLESS CUTTER 180MM

| Item No. | Parts No. | Description | Interchangability | Q'ty | New/Old | Note1 | Note2 |
|----------|-----------|-----------------------------|-------------------|------|---------|-------|-------|
| 001 | 853464-5 | NAME PLATE 4157KB | | 1 | * | | |
| 001-1 | 853464-5 | NAME PLATE 4157KB | < | 1 | | | |
| 002 | 911148-2 | PAN HEAD SCREW M4X25 | | 4 | | | |
| 003 | 911273-9 | PAN HEAD SCREW M5X50 | | 3 | | | |
| 004 | 181044-0 | CARBON BRUSH CB-153 | | 1 | * | | |
| 004-1 | 194985-1 | CARBON BRUSH SET CB-153 | O | 1 | | | |
| 005 | 643650-4 | BRUSH HOLDER CAP 6.5-13.5 | | 2 | * | | |
| 005-1 | 643650-4 | BRUSH HOLDER CAP 6.5-13.5 | O | 2 | | | |
| 006 | 152925-5 | MOTOR HOUSING COMPLTE | | 1 | * | | |
| C10 | 643660-1 | BRUSH HOLDER 6.5-13.5 | | 2 | * | | |
| 006-1 | 153921-6 | MOTOR HOUSING COMPLTE | S | 1 | | | |
| C10 | 643660-1 | BRUSH HOLDER 6.5-13.5 | | 2 | | | |
| 007 | 651165-7 | SWITCH 8909K382 | | 1 | * | | |
| 007-1 | 651194-0 | SWITCH TG933TL-1 | S | 1 | | | |
| 008 | 266020-6 | TAPPING SCREW 4X12 | | 1 | | | |
| 009 | 682540-6 | CORD GUARD 9.3-90 | | 1 | * | | |
| 009-1 | 682505-8 | CORD GUARD 10-90 | O | 1 | | | |
| 010 | 699014-0 | POWER SUPPLY CORD 1.0-2-4.0 | | 1 | * | | |
| 010-1 | 665890-4 | POWER SUPPLY CORD 1.0-2-4.0 | < | 1 | | | |
| 011 | 687031-2 | STRAIN RELIEF | | 1 | * | | |
| 011-1 | 687052-4 | STRAIN RELIEF | S | 1 | | | |
| 012 | 265995-6 | TAPPING SCREW 4X18 | | 2 | | | |
| 013 | 410201-6 | HANDLE COVER | | 1 | | | |
| 014 | 210005-4 | BALL BEARING 608DDW | | 1 | | | |
| 015 | 681625-5 | INSULATION WASHER | | 1 | | | |
| 016 | 590012-6 | FIELD ASS'Y 220V | | 1 | * | | |
| C10 | 654020-2 | RING TERMINAL | | 2 | * | | |
| C20 | 654553-7 | CONNECTOR 34137 | | 2 | * | | |
| 016-1 | 596068-7 | FIELD ASS'Y 220V | O | 1 | | | |
| C10 | 654020-2 | RING TERMINAL | | 2 | | | |
| C20 | 654502-4 | CONNECTOR P-2 | | 2 | | | |
| 017 | 266046-8 | TAPPING SCREW 5X50 | | 2 | | | |
| 018 | 510040-5 | ARMATURE ASS'Y 220V | | 1 | | | |
| D10 | | INC. 14,15,21,22,86 | | | | | |
| 019 | 415603-1 | FAN GUIDE | | 1 | | | |
| 020 | 163113-9 | SPINDLE LOCK | | 1 | | | |
| 021 | 213102-5 | DUST SEAL 12 | | 1 | | | |
| 022 | 211129-9 | BALL BEARING 6201DDW | | 1 | | | |
| 026 | 931402-8 | HEX. NUT M8 | | 1 | | | |
| 027 | 911106-8 | PAN HEAD SCREW M4X8 | | 1 | | | |
| 028 | 341415-5 | LOCK PLATE | | 1 | | | |
| 029 | 341416-3 | LEVER PLATE | | 1 | | | |
| 030 | 267003-9 | FLAT WASHER 8 | | 1 | * | | |
| 030-1 | 253766-3 | FLAT WASHER 8 | < | 1 | | | |
| 033 | 152926-3 | GEAR HOUSING COMPLETE | | 1 | * | | |
| C10 | 213459-4 | O RING 32 | | 1 | * | | |
| 033-1 | 153302-4 | GEAR HOUSING COMPLETE | S | 1 | | | |

| | | | | | | |
|-------|----------|--------------------------------|---|---|---|--|
| C10 | 213459-4 | O RING 32 | | 1 | | |
| D10 | | INC. 35 | | | | |
| 035 | 212052-1 | NEEDLE BEARING 1010 | | 1 | | |
| 037 | 226532-1 | HELICAL GEAR 39 | | 1 | | |
| 038 | 257064-7 | RING 15 | | 1 | | |
| 039 | 962153-2 | RETAINING RING R-35 | | 1 | | |
| 040 | 211228-7 | BALL BEARING 6202DDW | | 1 | | |
| 041 | 324044-9 | SPINDLE | | 1 | * | |
| 041-1 | 324257-2 | SPINDLE | S | 1 | | |
| 043 | 317187-4 | BEARING BOX | | 1 | | |
| 044 | 911126-2 | PAN HEAD SCREW M4X16 | | 4 | | |
| 045 | 213319-0 | OIL SEAL 20 | | 1 | | |
| 046 | 344758-4 | LABYRINTH RING | | 1 | | |
| 053 | 224375-5 | INNER FLANGE 40 | | 1 | | |
| 054 | 224275-9 | OUTER FLANGE 40 | | 1 | | |
| 055 | 266283-4 | HEX. SOCKET HEX. BOLT M8X20 | | 1 | | |
| 056 | 911106-8 | PAN HEAD SCREW M4X8 | | 1 | | |
| 057 | 931402-8 | HEX. NUT M8 | | 1 | | |
| 058 | 341415-5 | LOCK PLATE | | 1 | | |
| 059 | 341416-3 | LEVER PLATE | | 1 | | |
| 060 | 267003-9 | FLAT WASHER 8 | | 1 | * | |
| 060-1 | 253766-3 | FLAT WASHER 8 | < | 1 | | |
| 061 | 251858-2 | DIAL SCREW M6X15 | | 1 | | |
| 062 | 317160-4 | ANGULAR PLATE | | 1 | | |
| 063 | 252103-8 | HEX. LOCK NUT M5-8 | | 1 | | |
| 064 | 911108-4 | PAN HEAD SCREW M4X8 | | 1 | * | |
| 065 | 344762-3 | INDICATION PLATE | | 1 | * | |
| 066 | 265075-8 | + PAN HEAD SCREW M5 | | 1 | | |
| 067 | 344763-1 | ANGULAR GUIDE | | 1 | * | |
| 067-1 | 345491-1 | ANGULAR GUIDE | S | 1 | | |
| 068 | 266227-4 | CAP SQUARE NECK BOLT M8X28 | | 1 | | |
| 069 | 256442-8 | SHOULDER PIN 6-7 | | 1 | * | |
| 069-1 | 256480-0 | SHOULDER PIN 6-7 | O | 1 | | |
| 070 | 265965-5 | CAP SQUARE NECK BOLT M8X24 | | 1 | | |
| 071 | 163409-8 | DEPTH GUIDE | | 1 | | |
| 072 | 345192-1 | BASE | | 1 | | |
| 073 | 266180-4 | + SCREW M5X12 | | 1 | * | |
| 073-1 | 266213-5 | H.S.SET SCREW(FLAT POINT)M5X12 | O | 1 | | |
| 074 | 912212-2 | COUNTERSUNK HEAD SCREW M5X12 | | 5 | | |
| 075 | 266180-4 | + SCREW M5X12 | | 1 | * | |
| 075-1 | 266213-5 | H.S.SET SCREW(FLAT POINT)M5X12 | O | 1 | | |
| 076 | 265085-5 | + COUNTERSUNK HEAD SCREW M4X8 | | 2 | | |
| 077 | 265995-6 | TAPPING SCREW 4X18 | | 3 | | |
| 078 | 151565-6 | DUST BOX L COMPLETE | | 1 | * | |
| 078-1 | 158925-3 | DUST BOX L COMPLETE | O | 1 | * | |
| 078-2 | 158925-3 | DUST BOX L COMPLETE | < | 1 | | |
| 079 | 344761-5 | EARTH PLATE | | 1 | | |
| 080 | 151564-8 | DUST CAP COMPLETE | | 1 | | |
| 081 | 421362-7 | CAP | | 1 | | |

| | | | | | | | |
|-------|----------|-------------------------|---|---|---|--|--|
| 082 | 183105-2 | DUST BOX R SET | | 1 | * | | |
| D10 | | INC. 84 | | | | | |
| 082-1 | 188823-7 | DUST BOX R SET | S | 1 | | | |
| D10 | | INC. 84 | | | | | |
| 083 | 911263-2 | PAN HEAD SCREW M5X40 | | 2 | * | | |
| 084 | 819003-1 | MAKITA LABEL | | 1 | | | |
| 085 | 213621-1 | O RING 46 | | 1 | | | |
| 086 | 241513-4 | FAN 92 | | 1 | | | |
| 087 | 645200-1 | NOISE SUPPRESSOR | | 1 | | | |
| 088 | 654542-2 | TERMINAL BLOCK 2P | | 1 | * | | |
| 089 | 961055-9 | RETAINING RING S-15 | | 1 | | | |
| A01 | 410047-0 | WRENCH HOLDER 5.6 | | 1 | | | |
| A02 | A-87600 | DIAMOND WHEEL 180X22.23 | | 1 | | | |
| A03 | 783204-6 | HEX. WRENCH 6 | | 1 | | | |

Please state Parts No. when your order.

Print Date 10/31/2023