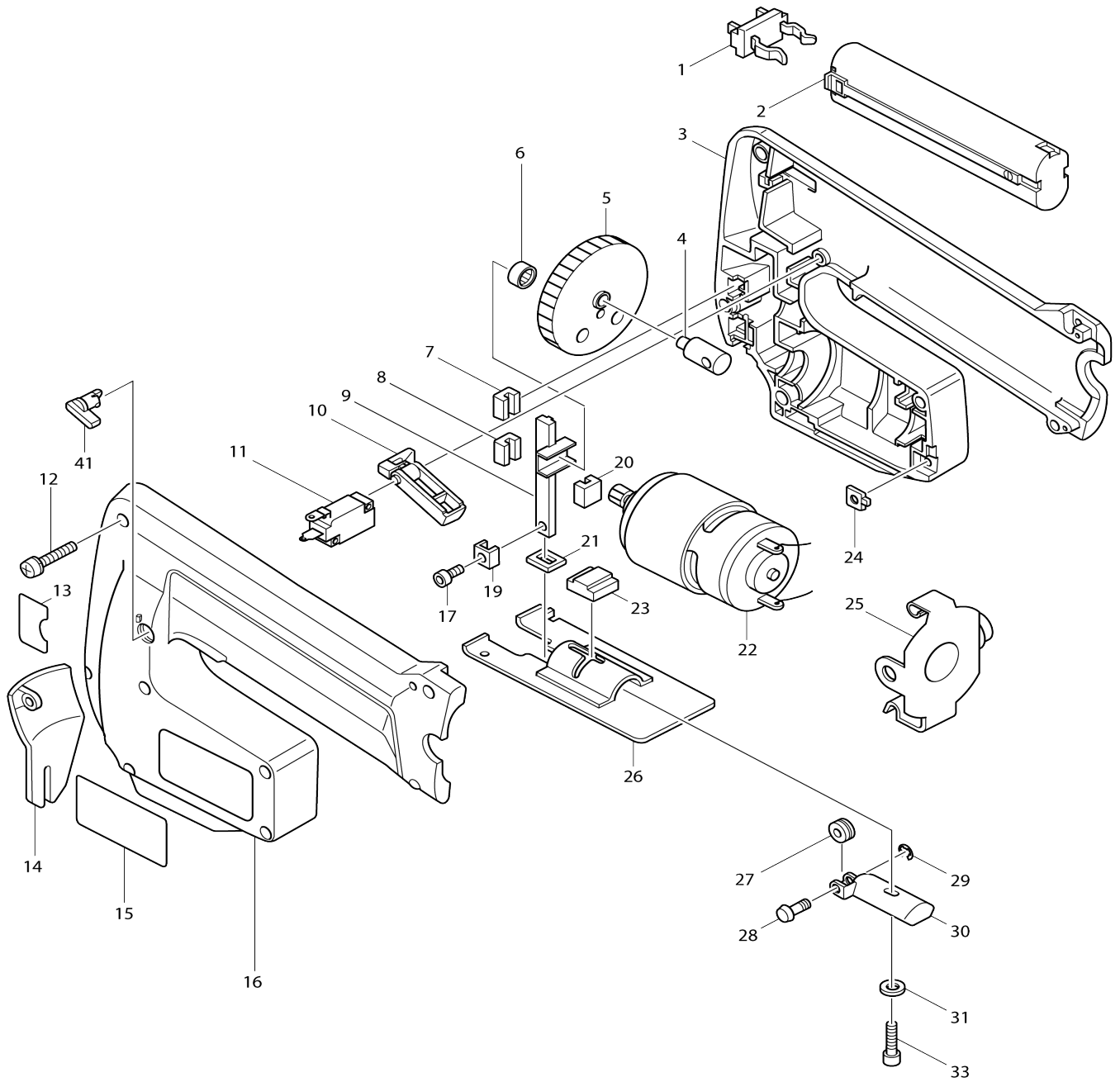


Model No.4300D CORDLESS JIG SAW



Model No.4300D CORDLESS JIG SAW

Item No.	Parts No.	Description	Interchangeability	Q'ty	New/Old	Note1	Note2
001	643909-9	BATTERY HOLDER		1			
002-1	191681-2	BATTERY 9000 SET		1			
003A_	182093-0	HOUSING SET		1	*		
D10		INC. 13,16,41					
003A1	187125-8	HOUSING SET	S	1			
D10		INC. 13,16,41					
004	152272-4	SUPPORTER COMPLETE		1			
005-1	153202-8	GEAR COMPLETE		1			
006	212014-9	NEEDLE BEARING 407		1			
007	214020-0	PLANE BEARING 3		1			
008	214020-0	PLANE BEARING 3		1			
009	164774-8	SLIDER		1			
010	410470-9	TRIGGER		1			
011-1	651866-7	SWITCH V-5130E-092		1	*		
011-2	651944-3	SWITCH DMC-1115-13	S	1			
012	911143-2	PAN HEAD SCREW M4X22		8			
013C_	816793-7	INDICATION LABEL		1			
014	410382-6	PROTECTOR		1			
015	855173-2	NAME PLATE 4300D		1			
016A_	182093-0	HOUSING SET		1	*		
D10		INC. 3,13,41					
016A1	187125-8	HOUSING SET	S	1			
D10		INC. 3,13,41					
017-1	922106-3	HEX. SOCKET HEAD BOLT M4X8		1			
019	331211-9	BLADE SET		1	*		
019-1	344979-8	BLADE SET	O	1			
020	214020-0	PLANE BEARING 3		1			
021	443063-7	FELT		1			
022-2	629581-1	DC MOTOR 9.6V		1	*		
C10	221882-9	SPUR GEAR 15		1	*		
022-3	629196-4	DC MOTOR 9.6V	O	1			
C10	221882-9	SPUR GEAR 15		1			
023	164749-7	HOLDER		1			
024	232086-8	LEAF SPRING		1			
025	163157-9	SET PLATE		1	*		
025-1	342833-0	SET PLATE	O	1			
026	164766-7	BASE		1			
027	321742-6	ROLLER		1	*		
027-1	322376-8	ROLLER	O	1	*		
028	256644-6	PIN 3		1	*		
029	257903-1	STOP RING E-2.3		1	*		
030	342856-8	RETAINER		1	*		
030-1	152927-1	RETAINER COMPLETE	S	1			
031	941051-3	FLAT WASHER 4		1	*		
033-1	922131-4	HEX. SOCKET HEAD BOLT M4X18		1	*		
033-2	922118-6	HEX. SOCKET HEAD BOLT M4X12	X	1			
041	272218-5	LEVER 15		1			

400	783201-2	HEX. WRENCH 3		1		
401	792210-0	JIG SAW BLADE SET		1		
402	414938-7	BATTERY COVER		1		
500	134313-8	ROLLER ASS'Y		1	*	
D10		INC. 27,28-30				
501	***DC9700	DC9700 FAST CHARGER		1	*	
501-1	***DC9710	DC9710 BATTERY CHARGER	O	1	*	
501-2	***DC1414	DC1414 BATTERY CHARGER	<	1		

Please state Parts No. when your order.

Print Date 10/06/2023