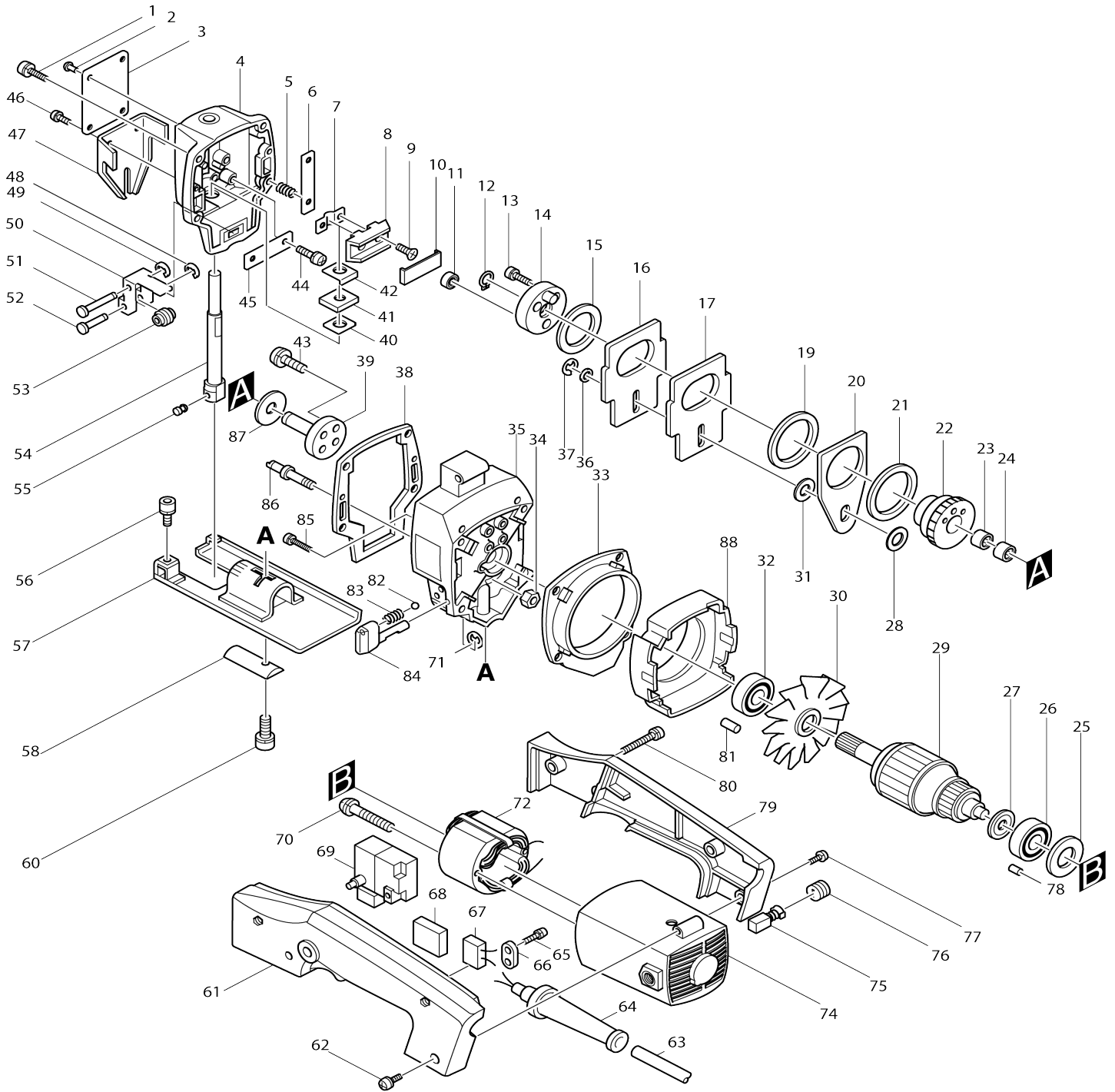


Model No.4301BV JIG SAW



Model No.4301BV JIG SAW

| Item No. | Parts No. | Description | Interchangability | Q'ty | New/Old | Note1 | Note2 |
|----------|-----------|-------------------------------|-------------------|------|---------|-------|-------|
| 001 | 911136-9 | PAN HEAD SCREW M4X20 | | 4 | | | |
| 002 | 953106-2 | RIVET 0-5 | | 4 | | | |
| 003 | 854968-0 | NAME PLATE 4301BV | | 1 | | | |
| 004 | 157219-3 | GEAR HOUSING COVER | | 1 | | | |
| C10 | 214001-4 | PLANE BEARING 8 | | 1 | | | |
| C20 | 256723-0 | PIN 5 | | 2 | | | |
| C30 | 423099-2 | SPONGE SHEET 11-20 | | 1 | | | |
| C41 | 951060-4 | SPRING PIN 3-14 | | 2 | | | |
| 005 | 231314-8 | COMPRESSION SPRING 4 | | 4 | | | |
| 006 | 342688-3 | SLIDE PLATE | | 2 | | | |
| 007 | 342682-5 | SLIDER SUPPORT | | 1 | | | |
| 008 | 331237-1 | SLIDER | | 1 | | | |
| 009 | 251263-3 | COUNTERSUNK HEAD SCREW M4 X12 | | 2 | | | |
| 010 | 342685-9 | SLIDER PLATE | | 1 | | | |
| 011 | 212010-7 | NEEDLE BEARING 607 | | 1 | | | |
| 012 | 961004-6 | RETAINING RING (EXT) S-8 | | 1 | | | |
| 013 | 911221-8 | PAN HEAD SCREW M5X16 | | 2 | | | |
| 014 | 152243-1 | CRANK COMPLETE | | 1 | | | |
| C10 | 256002-6 | PIN 6 | | 1 | | | |
| C20 | 256405-4 | PIN 6-7 | | 1 | | | |
| 015 | 253122-7 | FLAT WASHER 26 | | 1 | | | |
| 016-1 | 342846-1 | BALANCE PLATE | | 1 | | | |
| 017-1 | 342846-1 | BALANCE PLATE | | 1 | | | |
| 019 | 253880-5 | FLAT WASHER 35 | | 1 | | | |
| 020 | 342684-1 | PUSH PLATE | | 1 | | | |
| 021 | 253879-0 | FLAT WASHER 35 | | 1 | | | |
| 022 | 221725-5 | HELICAL GEAR 51 | | 1 | | | |
| 023 | 212005-0 | NEEDLE BEARING 810 | | 1 | | | |
| 024 | 212005-0 | NEEDLE BEARING 810 | | 1 | | | |
| 025 | 253192-6 | FLAT WASHER 14 | | 1 | | | |
| 026 | 211033-2 | BALL BEARING 608LB | | 1 | | | |
| 027A1 | 681625-5 | INSULATION WASHER | | 1 | | | |
| 028 | 253758-2 | FLAT WASHER 10 | | 1 | | | |
| 029C_ | 512808-5 | ARMATURE ASS'Y 220V | | 1 | | | |
| D10 | | INC. 26,27,30 | | | | | |
| 030-1 | 241518-4 | FAN 68 | | 1 | | | |
| 031 | 253878-2 | FLAT WASHER 10 | | 1 | | | |
| 032 | 211033-2 | BALL BEARING 608LB | | 1 | | | |
| 033 | 342689-1 | BAFFLE PLATE | | 1 | | | |
| 034 | 931302-2 | HEX. NUT M6 | | 1 | | | |
| 035 | 157220-8 | GEAR HOUSING | | 1 | | | |
| C10 | 256137-3 | PIN 5 | | 2 | | | |
| C20 | 816145-2 | INDICATION LABEL | | 1 | | | |
| C30 | 951051-5 | SPRING PIN 3-8 | | 2 | | | |
| D10 | | INC. 81 | | | | | |
| 036 | 253077-6 | FLAT WASHER 6 | | 1 | | | |
| 037 | 961011-9 | STOP RING E-4 | | 1 | | | |

| | | | | | | |
|-------|----------|-----------------------------------|---|---|---|--|
| 038 | 442062-6 | PACKING | | 1 | | |
| 039 | 321647-0 | GEAR SHAFT | | 1 | | |
| 040 | 253968-1 | WASHER 9 | | 1 | | |
| 041 | 443059-8 | FELT | | 1 | | |
| 042 | 342736-8 | DUST PLATE | | 1 | | |
| 043 | 911116-5 | PAN HEAD SCREW M4X12 | | 4 | | |
| 044 | 911106-8 | PAN HEAD SCREW M4X8 | | 2 | | |
| 045 | 342686-7 | HOLDER | | 1 | | |
| 046 | 911113-1 | PAN HEAD SCREW M4X10 WITH WR | | 2 | | |
| 047 | 410215-5 | PROTECTOR | | 1 | | |
| 048 | 961017-7 | STOP RING E-3 | | 1 | | |
| 049 | 961017-7 | STOP RING E-3 | | 1 | | |
| 050-1 | 151364-6 | RETAINER COMPLETE | | 1 | | |
| D10 | | INC. 48,52,53 | | | | |
| 051 | 256639-9 | PIN 4 | | 1 | | |
| 052-1 | 256667-4 | PIN 4 | | 1 | | |
| 053-1 | 321390-1 | ROLLER | | 1 | | |
| 054-1 | 164861-3 | ROD | | 1 | | |
| 055-1 | 265894-2 | H.S.SET SCREW(CUP POINT) M6X 8 | | 1 | | |
| 056 | 922117-8 | HEX. SOCKET HEAD BOLT M4X12 | | 1 | | |
| 057-1 | 164927-9 | BASE | | 1 | | |
| 058 | 315643-8 | CLAMP PLATE | | 1 | | |
| 060-1 | 922136-4 | HEX. SOCKET HEAD BOLT M4X20 | | 1 | | |
| 061 | 181150-1 | HANDLE SET | | 1 | | |
| D10 | | INC. 79 | | | | |
| 062 | 911223-4 | PAN HEAD SCREW M5X16 | | 2 | | |
| 063Y_ | 665394-6 | POWER SUPPLY CORD 1.0-2-2.5 | | 1 | | |
| 064A_ | 682502-4 | CORD GUARD 8-85 | | 1 | | |
| 065-1 | 911133-5 | PAN HEAD SCREW M4X18 | | 2 | | |
| 066D_ | 687031-2 | STRAIN RELIEF | | 1 | | |
| 067I_ | 645253-0 | NOISE SUPPRESSOR | | 1 | | |
| 068 | 685700-9 | SPONGE SHEET | | 1 | | |
| 069F_ | 651247-5 | SWITCH 11-12 | | 1 | * | |
| 069F1 | 651256-4 | SWITCH SGEL106CV-1A | O | 1 | | |
| 070-2 | 911666-0 | PAN HEAD SCREW M5X45 | | 2 | | |
| 071 | 961011-9 | STOP RING E-4 | | 1 | | |
| 072E_ | 528719-4 | FIELD ASS'Y 220V | | 1 | | |
| 074-1 | 157819-9 | MOTOR HOUSING | | 1 | | |
| 075A_ | 181021-2 | CARBON BRUSH CB-51 | | 1 | * | |
| 075A1 | 194963-1 | CARBON BRUSH SET CB-51 | O | 1 | | |
| 076 | 643550-8 | BRUSH HOLDER CAP 5-8 | | 2 | | |
| 077 | 911223-4 | PAN HEAD SCREW M5X16 | | 2 | | |
| 078-1 | 263014-2 | RUBBER PIN 4 | | 1 | | |
| 079 | 181150-1 | HANDLE SET | | 1 | | |
| D10 | | INC. 61 | | | | |
| 080 | 911153-9 | PAN HEAD SCREW M4X28 | | 2 | | |
| 081 | 263002-9 | RUBBER PIN 4 | | 1 | | |
| 082 | 216008-6 | STEEL BALL 4 | | 1 | | |
| 083 | 231314-8 | COMPRESSION SPRING 4 | | 1 | | |
| 084 | 272217-7 | LEVER 23 | | 1 | | |

| | | | | | | |
|-------|----------|----------------------|--|---|--|--|
| 085 | 911146-6 | PAN HEAD SCREW M4X25 | | 4 | | |
| 086 | 321648-8 | GUIDE PIN | | 1 | | |
| 087 | 253877-4 | FLAT WASHER 8 | | 1 | | |
| 088 | 410199-7 | BAFFLE PLATE | | 1 | | |
| 400 | 271601-3 | KNOB 20 | | 1 | | |
| 401 | 164112-4 | CIRCULAR GUIDE | | 1 | | |
| 402 | 323223-6 | CIRCULAR GUIDE PIN | | 1 | | |
| 403 | 164113-2 | GUIDE RULE | | 1 | | |
| 404-1 | 410048-8 | WRENCH HOLDER 3.4 | | 1 | | |
| 405 | 783201-2 | HEX. WRENCH 3 | | 1 | | |
| 406-1 | 792408-9 | JIG SAW BLADE SET | | 1 | | |
| 900-2 | 181788-2 | STEEL CARRYING CASE | | 1 | | |

Please state Parts No. when your order.

Print Date 10/06/2023