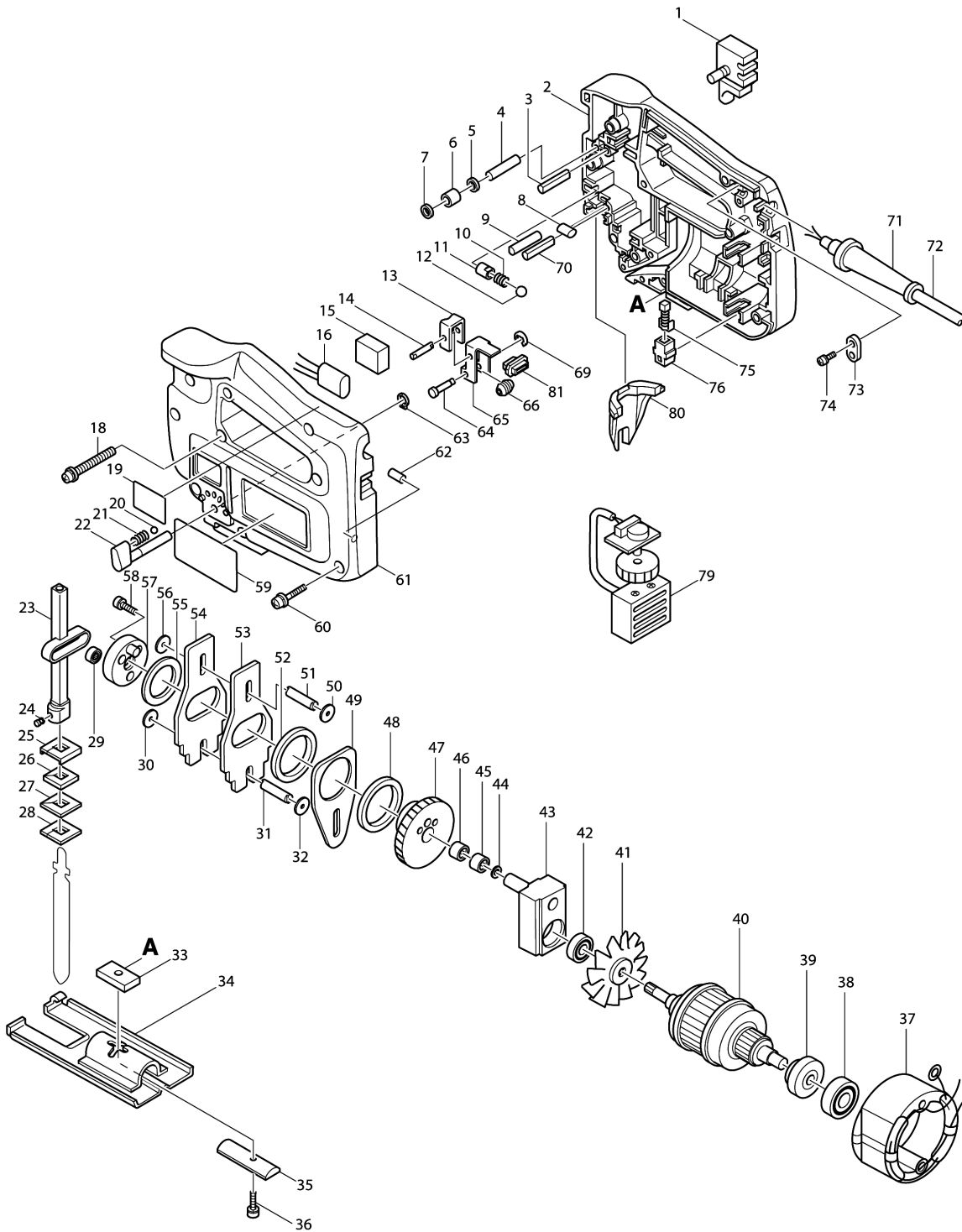


Model No.4302C ELECTRONIC JIG SAW



Model No.4302C ELECTRONIC JIG SAW

Item	Parts No.	Description	I/C	Qty	New/Old	Opt. 1	Opt. 2	Note
001A_	651235-2	SWITCH C2M-A1T		1	*			
001A1	651225-5	SWITCH SGEL215C	S	1				
002A_	182197-8	HOUSING SET		1				
D10		INC. 61,62						
003	256171-3	PIN 5		1				
004	256169-0	PIN 5		1				
005	267034-8	FLAT WASHER 5		1				
006	321988-4	ROLLER		1				
007	267034-8	FLAT WASHER 5		1				
008	256172-1	PIN 6		4				
009	256171-3	PIN 5		1				
010-1	231429-1	COMPRESSION SPRING 4		1				
011-1	322105-9	SPRING GUIDE		1				
012-1	216011-7	STEEL BALL 5.6		1				
013	343424-0	SPACER		1				
014	256167-4	PIN 4		1				
015	685722-9	SPONGE		1				
016D_	645253-0	NOISE SUPPRESSOR		1				
018	911268-2	PAN HEAD SCREW M5X45		3				
019	816187-6	INDICATION LABEL		1				
020	216008-6	STEEL BALL 4		1				
021	231314-8	COMPRESSION SPRING 4		1				
022-1	272225-8	LEVER 25		1				
023-1	168182-5	SLIDER		1				
024-1	265894-2	H.S.SET SCREW(CUP POINT) M6X8		1				
025	343408-8	DUST PLATE		1				
026	421318-0	DUST SEAL		1				
027	253340-7	THIN WASHER 9		1				
028-1	261080-3	FIBER WASHER 9		1				
029	212010-7	NEEDLE BEARING 607		1				
030	253804-1	FLAT WASHER 6		1				
031	256170-5	PIN 6		1				
032	253804-1	FLAT WASHER 6		1				
033	343377-3	BASE HOLDER		1				
034	164829-9	BASE		1				
035	315953-3	CLAMP PLATE		1				
036	922126-7	HEX. SOCKET HEAD BOLT M4X16		1				
037C_	522648-3	FIELD ASS'Y 220V		1				
C10	654038-3	INSULATED TERMINAL FT1.25-M4		1	*			
C11	654038-3	INSULATED TERMINAL FT1.25-M4	O	1	*			
C12	654038-3	INSULATED TERMINAL FT1.25-M4	O	1	*			
C13	654038-3	INSULATED TERMINAL FT1.25-M4	O	1				
038	211033-2	BALL BEARING 608LB		1				

Please order the parts with part number.

Print Date 6/10/2023

Model No.4302C ELECTRONIC JIG SAW

Item	Parts No.	Description	I/C	Qty	New/Old	Opt. 1	Opt. 2	Note
039	681627-1	INSULATION WASHER		1				
040C_	512908-1	ARMATURE ASS'Y 220V		1				
D10		INC. 38-42						
041	241044-3	FAN 68		1				
042	211033-2	BALL BEARING 608LB		1				
043	152304-7	BEARING CASE		1				
C10	256424-0	PIN 8-11		1				
044	253165-9	FLAT WASHER 8		1				
045	212005-0	NEEDLE BEARING 810		1				
046	212005-0	NEEDLE BEARING 810		1				
047	221752-2	HELICAL GEAR 65		1				
048	253880-5	FLAT WASHER 35		1				
049	343379-9	PUSH PLATE		1				
050	253804-1	FLAT WASHER 6		1				
051	256170-5	PIN 6		1				
052	253880-5	FLAT WASHER 35		1				
053	343380-4	BALANCE PLATE		1				
054	343380-4	BALANCE PLATE		1				
055	253122-7	FLAT WASHER 26		1				
056	253804-1	FLAT WASHER 6		1				
057	152243-1	CRANK COMPLETE		1				
C10	256405-4	PIN 6-7		1				
058	911221-8	PAN HEAD SCREW M5X16		2				
059-1	856968-6	NEME PLATE 4302C		1				
060	911243-8	PAN HEAD SCREW M5X25		6				
061A_	182197-8	HOUSING SET		1				
D10		INC. 2,62						
062	263002-9	RUBBER PIN 4		3				
063	961002-0	RETAINING RING S-6		1				
064	256640-4	PIN 4		1				
065	343378-1	RETAINER		1				
066	321989-2	ROLLER		1				
069	961017-7	STOP RING E-3		1				
070	256171-3	PIN 5		1				
071A_	682502-4	CORD GUARD 8-85		1				
072J1	665394-6	POWER SUPPLY CORD 1.0-2-2.5		1				
073A1	687031-2	STRAIN RELIEF		1				
074-1	911133-5	PAN HEAD SCREW M4X18		2				
075-1	191904-8	A.C. CARBON BRUSH CB-113		1	*			
075-2	194978-8	CARBON BRUSH SET CB-113	O	1				
076	643605-9	BRUSH HOLDER		2				
079A_	631080-1	CONTROLLER MCIC4		1				
080	414131-3	PROTECTOR		1				
081	421353-8	DUST SEAL		1				
400	783201-2	HEX. WRENCH 3		1				

Please order the parts with part number.

Print Date 6/10/2023

Model No.4302C ELECTRONIC JIG SAW

Item	Parts No.	Description	I/C	Qty	New/Old	Opt. 1	Opt. 2	Note
401	251951-2	HEX. SOCKET C.S.H. SCREW M5X10		1				
402	123030-5	CIRCULAR GUIDE ASS'Y		1				
C01	164112-4	CIRCULAR GUIDE		1				
C03	271601-3	KNOB 20		1				
C06	323223-6	CIRCULAR GUIDE PIN		1				
403	164113-2	GUIDE RULE		1				
404	410048-8	WRENCH HOLDER 3.4		1				
405-1	792434-8	JIG SAW BLADE NO.51		1	*			
405-2	A-86561	JIG SAW BLADE NO.51	<	1				
406-1	792426-7	JIG SAW BLADE 58		1	*			
406-2	A-86577	JIG SAW BLADE NO.58	<	1				
407-1	792427-5	JIG SAW BLADE NO.59		1	*			
407-2	A-86583	JIG SAW BLADE NO.59	<	1				
408-1	134521-1	RULE HOLDER ASS'Y		1				
D10		INC. 401						
900-2	181967-2	STEEL CARRYING CASE		1				
901	192037-2	NOZZLE & JOINT SET		1				

Please order the parts with part number.

Print Date 6/10/2023