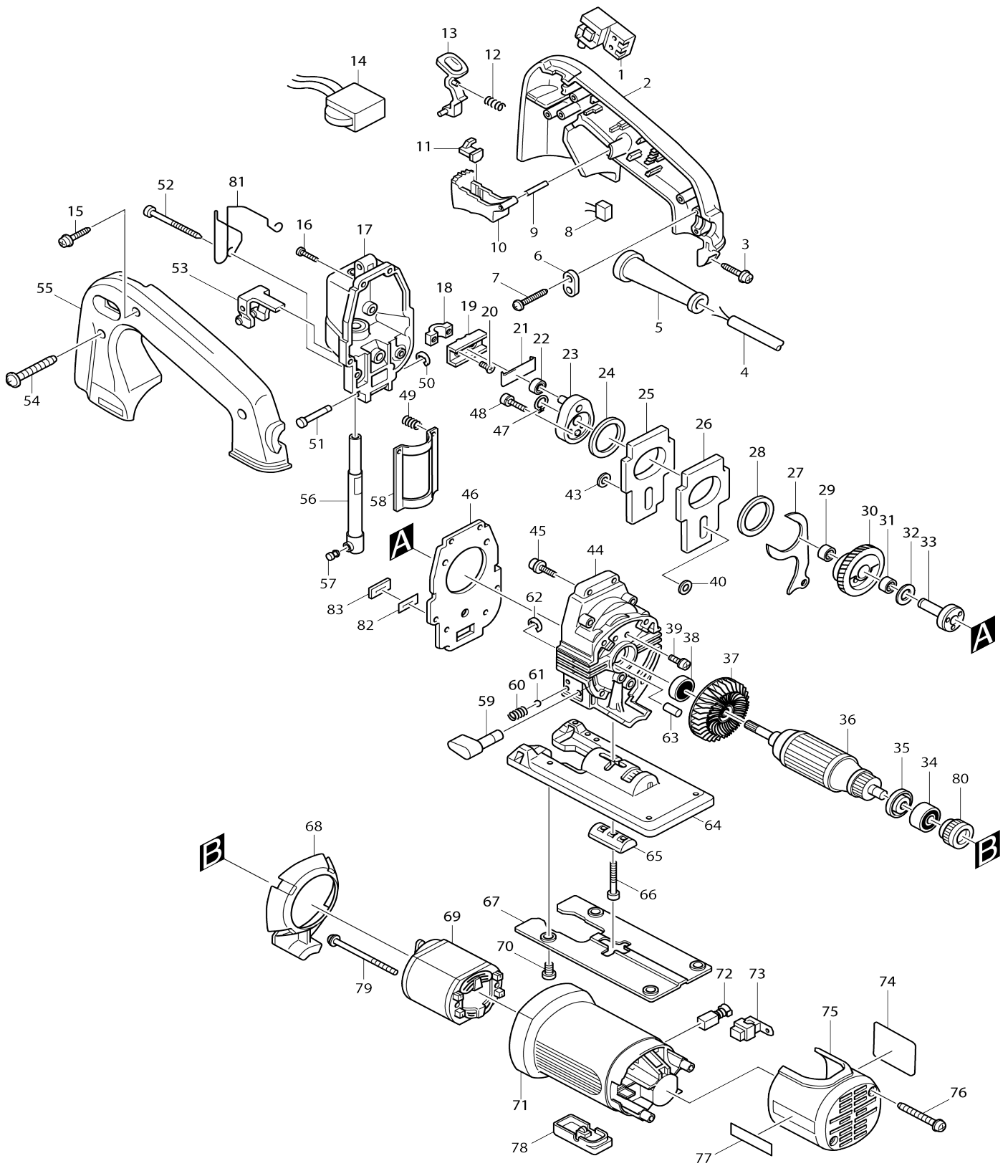


# Model No.4304 JIG SAW



# Model No.4304 JIG SAW

Item No.	Parts No.	Description	Interchangeability	Q'ty	New/Old	Note1	Note2
001	651922-3	SWITCH TG71B		1			
002	182680-5	HANDLE SET		1			
D10		INC. 55					
003A_	266120-2	TAPPING SCREW FLANGE PF4X20		1	*		
003A1	266045-0	TAPPING SCREW 4X20	O	1			
004M_	665394-6	POWER SUPPLY CORD 1.0-2-2.5		1			
005A_	682502-4	CORD GUARD 8-85		1			
006A_	687052-4	STRAIN RELIEF		1			
007A_	266121-0	TAPPING SCREW FLANGE PF 4X18		2	*		
007A1	265995-6	TAPPING SCREW 4X18	O	2			
008C_	645258-0	NOISE SUPPRESSOR		1	*		
008C1	645145-3	NOISE SUPPRESSOR	O	1			
009	256221-4	PIN 3		1			
010	415158-6	SWITCH LEVER		1			
011	415159-4	SPACER		1			
012	233101-1	COMPRESSION SPRING 4		1			
013	415534-4	LOCK-ON LEVER		1			
014C_	631202-3	CONTROLLER 200-240V		1	*		
014C1	631678-4	CONTROLLER	O	1			
015A_	266120-2	TAPPING SCREW FLANGE PF4X20		2	*		
015A1	266045-0	TAPPING SCREW 4X20	O	2			
016	266034-5	TAPPING SCREW CT 4X16		2			
017	159716-5	GEAR HOUSING COVER COMPLETE		1	*		
C06	214005-6	PLANE BEARING 8		1	*		
C11	214061-6	PLANE BEARING 10		1	*		
C16	262064-4	SPONGE RING		1	*		
C21	267124-7	FLAT WASHER		1	*		
C26	267125-5	FLAT WASHER 9		1	*		
C31	423263-5	SPONGE SHEET 11-20		1	*		
C36	951057-3	SPRING PIN 3-12		2	*		
017-1	151596-5	GEAR HOUSING COVER COMPLETE	S	1	*		
C10	214005-6	PLANE BEARING 8		1	*		
C20	951057-3	SPRING PIN 3-12		2	*		
017-2	153389-6	GEAR HOUSING COVER COMPLETE	<	1			
C10	214005-6	PLANE BEARING 8		1			
C20	951057-3	SPRING PIN 3-12		2			
C30	253310-6	THIN WASHER 10		1			
C40	421821-1	DUST SEAL 8		1			
018	316608-3	HOLDER		1			
019	313069-8	SLIDER		1	*		
019-1	310028-3	SLIDER	O	1			
020	265035-0	COUNTERSUNK HEAD SCREW M4 X10		2			
021	344232-2	THRUST PLATE		1			

022	212010-7	NEEDLE BEARING 607		1			
023	152454-8	CRANK COMPLETE		1			
C10	256033-5	PIN 6		1			
024	253792-2	FLAT WASHER 26		1			
025	344133-4	BALANCE PLATE		1	*		
025-1	344330-2	BALANCE PLATE	O	1			
026	344133-4	BALANCE PLATE		1	*		
026-1	344330-2	BALANCE PLATE	O	1			
027	344134-2	PUSH PLATE		1			
028	253792-2	FLAT WASHER 26		1			
029-1	212043-2	NEEDLE BEARING 810		1			
030	226428-6	HELICAL GEAR 51		1			
031-1	212043-2	NEEDLE BEARING 810		1			
032	253139-0	FLAT WASHER 8		1			
033	322691-0	GEAR SHAFT		1			
034	211021-9	BALL BEARING 607LLB		1			
035	681636-0	INSULATION WASHER		1			
036C_	517098-5	ARMATURE ASS'Y 220V		1			
D10		INC. 34,35,37,38					
037A_	241875-0	FAN 54		1	*		
037A1	240039-3	FAN 54	X	1			
038	211031-6	BALL BEARING 608LLB		1			
039	911111-5	PAN HEAD SCREW M4X10 WITH W		3			
040	253715-0	FLAT WASHER 6		1			
043	253715-0	FLAT WASHER 6		1			
044	159715-7	GEAR HOUSING COMPLETE		1	*		
D10		INC. 63					
044-1	151594-9	GEAR HOUSING COMPLETE	X	1			
D10		INC. 63					
045A_	266120-2	TAPPING SCREW FLANGE PF4X20		2	*		
045A1	266045-0	TAPPING SCREW 4X20	O	2			
046	442119-3	PACKING		1	*		
046-1	442123-2	PACKING	X	1			
047	961004-6	RETAINING RING (EXT) S-8		1			
048-1	922126-7	HEX. SOCKET HEAD BOLT M4X16		2			
049	231314-8	COMPRESSION SPRING 4		2			
050	961017-7	STOP RING E-3		1			
051	256693-3	PIN 4		1			
052A_	266115-5	TAPPING SCREW FLANGE PF 4X5 5		2	*		
052A1	266147-2	TAPPING SCREW 4X55	O	2			
053	151426-0	RETAINER COMPLETE		1	*		
C10	256667-4	PIN 4		1	*		
C20	322709-7	ROLLER		1	*		
C30	961017-7	STOP RING E-3		1	*		
053-1	152947-5	RETAINER COMPLETE	X	1			
C10	268074-9	PIN 4		1			
C20	152950-6	ROLLER COMPLETE		1			
C30	961017-7	STOP RING E-3		1			
054A_	266117-1	TAPPING SCREW FLANGE PF 4X3 5		1	*		

054A1	266053-1	TAPPING SCREW 4X35	O	1			
055	182680-5	HANDLE SET		1			
D10		INC. 2					
056	165089-6	ROD		1			
057	265894-2	H.S.SET SCREW(CUP POINT) M6X8		1			
058	344137-6	SLIDE PLATE		1			
059	272231-3	LEVER 17		1			
060	231314-8	COMPRESSION SPRING 4		1			
061	216008-6	STEEL BALL 4		1			
062	961018-5	STOP RING E-5		1			
063	263002-9	RUBBER PIN 4		1			
064	316605-9	BASE		1	*		
064-1	316883-1	BASE	S	1			
065	331435-7	CLAMP PLATE		1			
066	922146-1	HEX. SOCKET HEAD BOLT M4X25		1			
067	344136-8	BASE PLATE		1	*		
067-1	344443-9	BASE PLATE	S	1			
068	415535-2	BAFFLE PLATE		1			
069C_	633288-3	FIELD 220V		1			
070	266055-7	HEX. SOCKET HEAD BOLT M5X8		4			
071	415528-9	MOTOR HOUSING		1	*		
071-1	415748-5	MOTOR HOUSING	S	1			
072A_	191962-4	CARBON BRUSH CB-419		1	*		
072A1	195015-1	CARBON BRUSH SET CB-419	O	1			
073	643923-5	BRUSH HOLDER		2			
074	857555-4	NAME PLATE 4304		1			
075	415532-8	REAR COVER		1			
076A_	266118-9	TAPPING SCREW FLANGE PF 4X30		2	*		
076A1	266050-7	TAPPING SCREW 4X30	O	2			
077	819080-3	MAKITA LABEL		1			
078	415538-6	CAP		1			
079A_	266114-7	TAPPING SCREW FLANGE PF 4X60		2	*		
079A1	266052-3	TAPPING SCREW 4X60	O	2			
080	421494-0	RUBBER RING 19		1			
081	322893-8	SAFETY WIRE		1			
082	344784-3	SEAL PLATE		1			
083	443106-5	FELT 10-20		1			
A01	783201-2	HEX. WRENCH 3		1			
A02	410048-8	WRENCH HOLDER 3.4		1			
A03	415524-7	ANTI-SPLINTERING DEVICE		1			
A04	415525-5	PLASTIC COVER		1	*		
A04-1	415887-1	PROTECTOR	S	1			
A05	792522-1	JIG SAW BLADE B-22		1	*		
A05-1	A-85737	JIGSAW BLADE NO.B22	<	1			
A06	792538-6	JIG SAW BLADE B-10		1	*		
A06-1	A-85628	JIGSAW BLADE NO.B10	<	1			
A07-1	A-02294	JIG SAW BLADE BR-13		1	*		
A07-2	A-85793	JIGSAW BLADE NO.BR13	<	1			
A08	415537-8	BASE PLATE		1	*		

A08-1	413068-1	BASE PLATE	S	1			
A09-1	824536-3	PLASTIC CARRYING CASE		1	*		
A09-2	824662-8	PLASTIC CARRYING CASE	O	1	*		
C10	183091-7	SLIDE LATCH RL SET		1	*		
A09-3	824809-4	PLASTIC CARRYING CASE	<	1			
E03	654128-2	EARTH TERMINAL		1			
E04	646067-0	CHOKE COIL		1			
E05	192547-9	VACUUM HEAD		1			
E07	654556-1	CONNECTOR		1			
F28	192557-6	ANTI-SPLITTING DEVICE		1			

Please state Parts No. when your order.

Print Date 11/16/2023