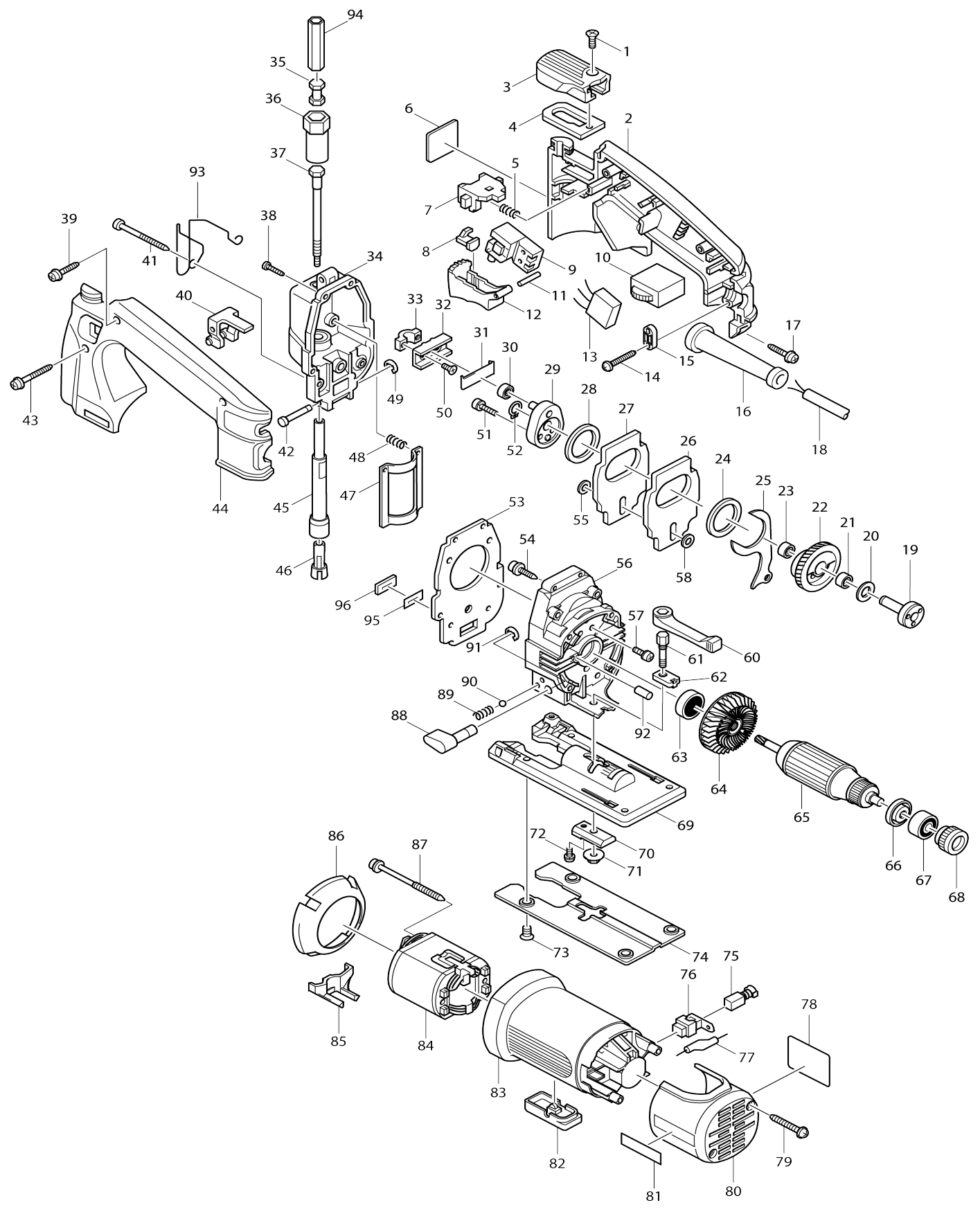


# Model No.4304T JIG SAW



# Model No.4304T JIG SAW

Item No.	Parts No.	Description	Interchangability	Q'ty	New/Old	Note1	Note2
001	911109-2	PAN HEAD SCREW M4X8		1	*		
001-1	912102-9	COUNTERSUNK HEAD SCREW M4X6	S	1			
002	182788-5	HANDLE SET		1			
D10		INC. 44					
003	415881-3	LEVER 51		1	*		
003-1	416370-1	LEVER 51	S	1			
004	344331-0	INNER LEVER		1			
005	233101-1	COMPRESSION SPRING 4		1			
006	810835-9	CAUTION LABEL		1			
007	415880-5	LOCK ON LEVER		1			
008	415159-4	SPACER		1			
009	651922-3	SWITCH TG71B		1			
010	631202-3	CONTROLLER 200-240V		1	*		
010-1	631678-4	CONTROLLER	O	1			
011	256221-4	PIN 3		1			
012	415158-6	SWITCH LEVER		1			
013	645258-0	NOISE SUPPRESSOR		1	*		
013-1	645145-3	NOISE SUPPRESSOR	O	1			
014A_	266121-0	TAPPING SCREW FLANGE PF 4X18		2	*		
014A1	265995-6	TAPPING SCREW 4X18	O	2			
015A_	687052-4	STRAIN RELIEF		1			
016	682502-4	CORD GUARD 8-85		1			
017A_	266120-2	TAPPING SCREW FLANGE PF4X20		1	*		
017A1	266045-0	TAPPING SCREW 4X20	O	1			
018G_	665394-6	POWER SUPPLY CORD 1.0-2-2.5		1			
019	322691-0	GEAR SHAFT		1			
020	253139-0	FLAT WASHER 8		1			
021	212043-2	NEEDLE BEARING 810		1			
022	226428-6	HELICAL GEAR 51		1			
023	212043-2	NEEDLE BEARING 810		1			
024	253792-2	FLAT WASHER 26		1			
025	344134-2	PUSH PLATE		1			
026	344370-0	BALANCE PLATE		1	*		
026-1	344330-2	BALANCE PLATE	X	1			
027	344370-0	BALANCE PLATE		1	*		
027-1	344330-2	BALANCE PLATE	X	1			
028	253792-2	FLAT WASHER 26		1			
029	152454-8	CRANK COMPLETE		1			
C10	256033-5	PIN 6		1			
030	212010-7	NEEDLE BEARING 607		1			
031	344232-2	THRUST PLATE		1			
032-1	310028-3	SLIDER		1			
033	316608-3	HOLDER		1			
034	159716-5	GEAR HOUSING COVER COMPLETE		1	*		
C06	214005-6	PLANE BEARING 8		1	*		

C11	214061-6	PLANE BEARING 10		1	*		
C16	262064-4	SPONGE RING		1	*		
C21	267124-7	FLAT WASHER		1	*		
C26	267125-5	FLAT WASHER 9		2	*		
C31	423263-5	SPONGE SHEET 11-20		1	*		
C36	951057-3	SPRING PIN 3-12		2	*		
034-1	151596-5	GEAR HOUSING COVER COMPLETE	S	1	*		
C10	214005-6	PLANE BEARING 8		1	*		
C20	951057-3	SPRING PIN 3-12		2	*		
034-2	153389-6	GEAR HOUSING COVER COMPLETE	<	1			
C10	214005-6	PLANE BEARING 8		1			
C20	951057-3	SPRING PIN 3-12		2			
C30	253310-6	THIN WASHER 10		1			
C40	421821-1	DUST SEAL 8		1			
035	322839-4	CONNECTOR		1			
036	415882-1	JOINT		1	*		
036-1	416351-5	JOINT	S	1			
037	322826-3	DRIVER ROD		1			
038	266034-5	TAPPING SCREW CT 4X16		2			
039A_	266120-2	TAPPING SCREW FLANGE PF4X20		2	*		
039A1	266045-0	TAPPING SCREW 4X20	O	2			
040	151426-0	RETAINER COMPLETE		1	*		
C10	256667-4	PIN 4		1	*		
C20	322709-7	ROLLER		1	*		
C30	961017-7	STOP RING E-3		1	*		
040-1	152947-5	RETAINER COMPLETE	X	1			
C10	268074-9	PIN 4		1			
C20	152950-6	ROLLER COMPLETE		1			
C30	961017-7	STOP RING E-3		1			
041-1	266115-5	TAPPING SCREW FLANGE PF 4X55		2	*		
041-2	266147-2	TAPPING SCREW 4X55	O	2			
042	256693-3	PIN 4		1			
043A_	266117-1	TAPPING SCREW FLANGE PF 4X35		1	*		
043A1	266053-1	TAPPING SCREW 4X35	O	1			
044	182788-5	HANDLE SET		1			
D10		INC. 2					
045	168282-1	ROD		1			
046	310005-5	BLADE FIX		1			
047	344137-6	SLIDE PLATE		1			
048	233151-6	COMPRESSION SPRING 4		2			
049	961017-7	STOP RING E-3		1			
050	265035-0	COUNTERSUNK HEAD SCREW M4 X10		2			
051	922126-7	HEX. SOCKET HEAD BOLT M4X16		2			
052	961004-6	RETAINING RING (EXT) S-8		1			
053	442119-3	PACKING		1	*		
053-1	442123-2	PACKING	X	1			
054A_	266120-2	TAPPING SCREW FLANGE PF4X20		2	*		
054A1	266045-0	TAPPING SCREW 4X20	O	2			

055	253715-0	FLAT WASHER 6		1		
056	159852-7	GEAR HOUSING COMPLETE		1	*	
C10	256235-3	PIN 5		3	*	
C21	256143-8	PIN 6		1	*	
C40	951051-5	SPRING PIN 3-8		2	*	
D10		INC. 92				
056-1	151595-7	GEAR HOUSING COMPLETE	S	1		
C10	256235-3	PIN 5		3		
C20	256143-8	PIN 6		1		
C30	951051-5	SPRING PIN 3-8		2		
D10		INC. 92				
057	911111-5	PAN HEAD SCREW M4X10 WITH W		3		
058	253715-0	FLAT WASHER 6		1		
060	272232-1	LEVER 65		1		
061	265434-6	HEX. BOLT M5X24		1		
062	344332-8	NUT M6		1		
063	211031-6	BALL BEARING 608LLB		1		
064A_	241875-0	FAN 54		1	*	
064A1	240039-3	FAN 54	X	1		
065	517098-5	ARMATURE ASS'Y 220V		1		
D10		INC. 63,64,66,67				
066	681636-0	INSULATION WASHER		1		
067	211021-9	BALL BEARING 607LLB		1		
068	421494-0	RUBBER RING 19		1		
069	316777-0	BASE		1		
070	344333-6	CLAMP PLATE		1		
071	252142-8	HEX.NUT FLANGE M5		1		
072	911109-2	PAN HEAD SCREW M4X8		1		
073	912202-5	COUNTERSUNK HEAD SCREW M5 X8		4		
074-1	344443-9	BASE PLATE		1		
075	191962-4	CARBON BRUSH CB-419		1	*	
075-1	195015-1	CARBON BRUSH SET CB-419	O	1		
076	643923-5	BRUSH HOLDER		2		
077	646067-0	CHOKE COIL		1		
078	858235-5	NAME PLATE 4304T		1		
079A_	266118-9	TAPPING SCREW FLANGE PF 4X3 0		2	*	
079A1	266050-7	TAPPING SCREW 4X30	O	2		
080	415532-8	REAR COVER		1		
081	819080-3	MAKITA LABEL		1		
082	415538-6	CAP		1		
083	415748-5	MOTOR HOUSING		1		
084	633288-3	FIELD 220V		1		
085	415879-0	AIR CAP		1		
086	415878-2	BAFFLE PLATE		1		
087A_	266114-7	TAPPING SCREW FLANGE PF 4X6 0		2	*	
087A1	266052-3	TAPPING SCREW 4X60	O	2		
088	272231-3	LEVER 17		1		
089-1	233151-6	COMPRESSION SPRING 4		1		
090	216008-6	STEEL BALL 4		1		

091	961018-5	STOP RING E-5		1		
092	263002-9	RUBBER PIN 4		1		
093	322893-8	SAFETY WIRE		1		
094	344537-0	HEX. SLEEVE		1		
095	344784-3	SEAL PLATE		1		
096	443106-5	FELT 10-20		1		
A01-1	413068-1	BASE PLATE		1		
A02	415887-1	PROTECTOR		1		
A03	415524-7	ANTI-SPLINTERING DEVICE		1		
A04	792522-1	JIG SAW BLADE B-22		1	*	
A04-1	A-85737	JIGSAW BLADE NO.B22	<	1		
A05	792538-6	JIG SAW BLADE B-10		1	*	
A05-1	A-85628	JIGSAW BLADE NO.B10	<	1		
A06	A-02294	JIG SAW BLADE BR-13		1	*	
A06-1	A-85793	JIGSAW BLADE NO.BR13	<	1		
A07-1	824536-3	PLASTIC CARRYING CASE		1	*	
A07-2	824662-8	PLASTIC CARRYING CASE	O	1	*	
C10	183091-7	SLIDE LATCH RL SET		1	*	
A07-3	824809-4	PLASTIC CARRYING CASE	<	1		
E01	192547-9	VACUUM HEAD		1		
F05	192557-6	ANTI-SPLITTING DEVICE		1		

Please state Parts No. when your order.

Print Date 10/06/2023