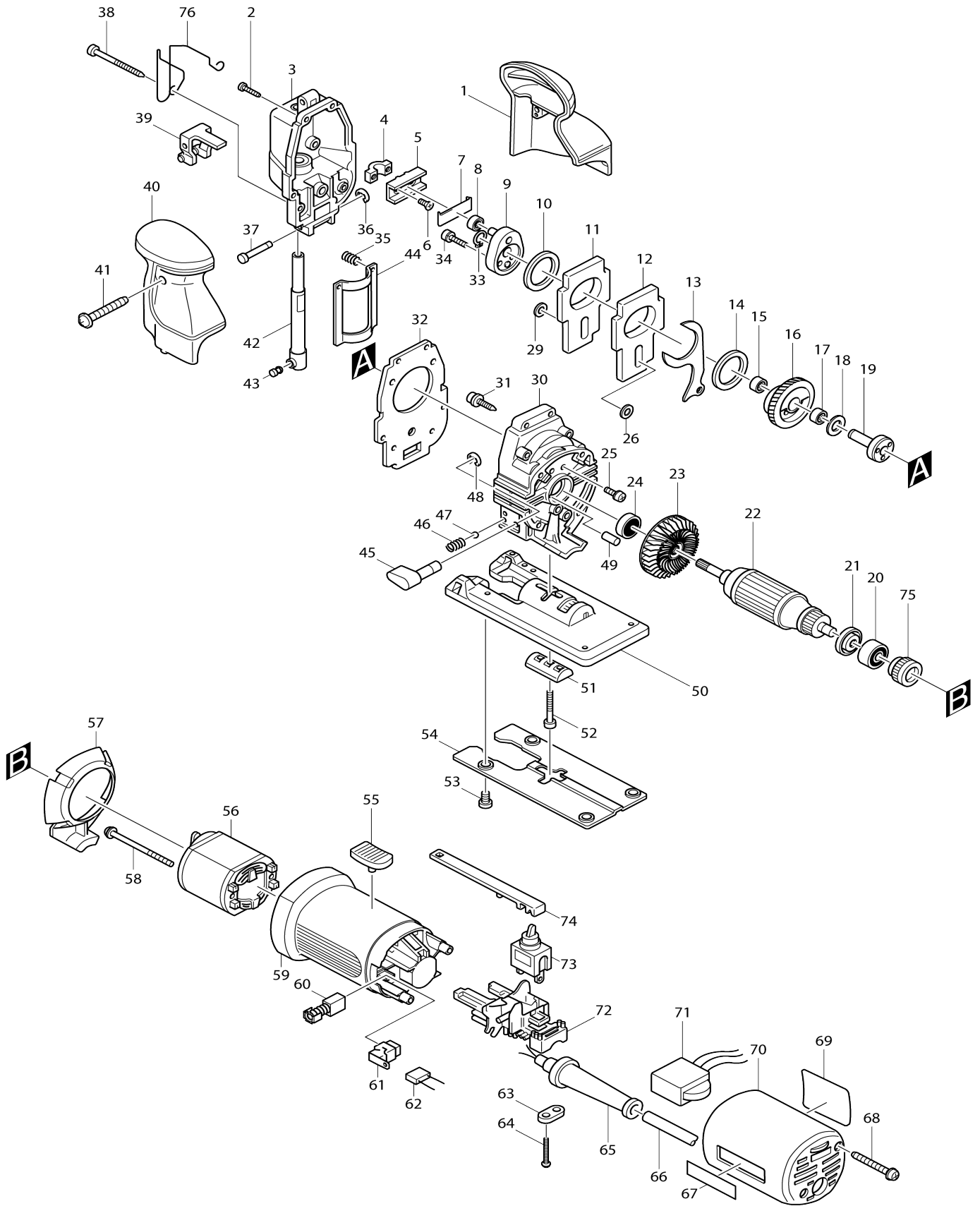


Model No.4305 JIG SAW



Model No.4305 JIG SAW

Item No.	Parts No.	Description	Interchangability	Q'ty	New/Old	Note1	Note2
001	182681-3	HEAD COVER SET		1			
D10		INC. 40					
002	266034-5	TAPPING SCREW CT 4X16		2			
003	159716-5	GEAR HOUSING COVER COMPLETE		1	*		
C06	214005-6	PLANE BEARING 8		1	*		
C11	214061-6	PLANE BEARING 10		1	*		
C16	262064-4	SPONGE RING		1	*		
C21	267124-7	FLAT WASHER		1	*		
C26	267125-5	FLAT WASHER 9		2	*		
C31	423263-5	SPONGE SHEET 11-20		1	*		
C36	951057-3	SPRING PIN 3-12		2	*		
003-1	151596-5	GEAR HOUSING COVER COMPLETE	S	1	*		
C10	214005-6	PLANE BEARING 8		1	*		
C20	951057-3	SPRING PIN 3-12		2	*		
C30	214061-6	PLANE BEARING 10		1	*		
C40	257221-7	RING 16		1	*		
C50	262082-2	RING 9		1	*		
003-2	153389-6	GEAR HOUSING COVER COMPLETE	<	1			
C10	214005-6	PLANE BEARING 8		1			
C20	951057-3	SPRING PIN 3-12		2			
C30	214061-6	PLANE BEARING 10		1			
C40	257221-7	RING 16		1			
C50	253310-6	THIN WASHER 10		1			
C60	421821-1	DUST SEAL 8		1			
004	316608-3	HOLDER		1			
005	313069-8	SLIDER		1	*		
005-1	310028-3	SLIDER	O	1			
006	265035-0	COUNTERSUNK HEAD SCREW M4 X10		2			
007	344232-2	THRUST PLATE		1			
008	212010-7	NEEDLE BEARING 607		1			
009	152454-8	CRANK COMPLETE		1			
C10	256033-5	PIN 6		1			
010	253792-2	FLAT WASHER 26		1			
011	344133-4	BALANCE PLATE		1	*		
011-1	344330-2	BALANCE PLATE	O	1			
012	344133-4	BALANCE PLATE		1	*		
012-1	344330-2	BALANCE PLATE	O	1			
013	344134-2	PUSH PLATE		1			
014	253792-2	FLAT WASHER 26		1			
015-1	212043-2	NEEDLE BEARING 810		1			
016	226428-6	HELICAL GEAR 51		1			
017-1	212043-2	NEEDLE BEARING 810		1			
018	253139-0	FLAT WASHER 8		1			
019	322691-0	GEAR SHAFT		1			
020	211021-9	BALL BEARING 607LLB		1			

021	681636-0	INSULATION WASHER		1			
022C_	517098-5	ARMATURE ASS'Y 220V		1			
D10		INC. 20,21,23,24					
023A_	241875-0	FAN 54		1	*		
023A1	240039-3	FAN 54	X	1			
024	211031-6	BALL BEARING 608LLB		1			
025	9111111-5	PAN HEAD SCREW M4X10 WITH W		3			
026	253715-0	FLAT WASHER 6		1			
027	253811-4	FLAT WASHER 5		1	*		
028	961011-9	STOP RING E-4		1	*		
029	253715-0	FLAT WASHER 6		1			
030	159715-7	GEAR HOUSING COMPLETE		1	*		
D10		INC. 49					
030-1	151594-9	GEAR HOUSING COMPLETE	X	1			
D10		INC. 49					
031A_	266120-2	TAPPING SCREW FLANGE PF4X20		2	*		
031A1	266045-0	TAPPING SCREW 4X20	O	2			
032	442119-3	PACKING		1	*		
032-1	442123-2	PACKING	X	1			
033	961004-6	RETAINING RING (EXT) S-8		1			
034-1	922126-7	HEX. SOCKET HEAD BOLT M4X16		2			
035	231314-8	COMPRESSION SPRING 4		2			
036	961017-7	STOP RING E-3		1			
037	256693-3	PIN 4		1			
038A_	266115-5	TAPPING SCREW FLANGE PF 4X5 5		2	*		
038A1	266147-2	TAPPING SCREW 4X55	O	2			
039	151426-0	RETAINER COMPLETE		1	*		
C10	256667-4	PIN 4		1	*		
C20	322709-7	ROLLER		1	*		
C30	961017-7	STOP RING E-3		1	*		
039-1	152947-5	RETAINER COMPLETE	X	1			
C10	268074-9	PIN 4		1			
C20	152950-6	ROLLER COMPLETE		1			
C30	961017-7	STOP RING E-3		1			
040	182681-3	HEAD COVER SET		1			
D10		INC. 1					
041A_	266117-1	TAPPING SCREW FLANGE PF 4X3 5		1	*		
041A1	266053-1	TAPPING SCREW 4X35	O	1			
042	165089-6	ROD		1			
043	265894-2	H.S.SET SCREW(CUP POINT) M6X 8		1			
044	344137-6	SLIDE PLATE		1			
045	272231-3	LEVER 17		1			
046	231314-8	COMPRESSION SPRING 4		1			
047	216008-6	STEEL BALL 4		1			
048	961018-5	STOP RING E-5		1			
049	263002-9	RUBBER PIN 4		1			
050	316605-9	BASE		1	*		
050-1	316883-1	BASE	S	1			

051	331435-7	CLAMP PLATE		1		
052	922146-1	HEX. SOCKET HEAD BOLT M4X25		1		
053	266055-7	HEX. SOCKET HEAD BOLT M5X8		4		
054	344136-8	BASE PLATE		1	*	
054-1	344443-9	BASE PLATE	S	1		
055	415523-9	SWITCH LEVER		1		
056C_	633288-3	FIELD 220V		1		
057	415535-2	BAFFLE PLATE		1		
058A_	266114-7	TAPPING SCREW FLANGE PF 4X6 0		2	*	
058A1	266052-3	TAPPING SCREW 4X60	O	2		
059	415528-9	MOTOR HOUSING		1	*	
059-1	415748-5	MOTOR HOUSING	S	1		
060A_	191962-4	CARBON BRUSH CB-419		1	*	
060A1	195015-1	CARBON BRUSH SET CB-419	O	1		
061	643923-5	BRUSH HOLDER		2		
062C_	645259-8	NOISE SUPPRESSOR		1	*	
063A_	687052-4	STRAIN RELIEF		1		
064A_	266121-0	TAPPING SCREW FLANGE PF 4X1 8		2	*	
064A1	265995-6	TAPPING SCREW 4X18	O	2		
065A_	682502-4	CORD GUARD 8-85		1		
066M_	665394-6	POWER SUPPLY CORD 1.0-2-2.5		1		
067	819063-3	MAKITA LABEL		1		
068A_	266114-7	TAPPING SCREW FLANGE PF 4X6 0		2	*	
068A1	266052-3	TAPPING SCREW 4X60	O	2		
069	857557-0	NAME PLATE 4305		1		
070	415531-0	REAR COVER		1		
071C_	631202-3	CONTROLLER 200-240V		1	*	
071C1	631678-4	CONTROLLER	O	1		
072	687070-2	SUPPORT		1		
073	651418-4	SWITCH ST115A-40		1	*	
073-1	651428-1	SWITCH STL115ADF-CD	O	1	*	
073-2	651069-3	SWITCH ST115A-TB-F2	O	1		
074	415522-1	SWITCH ROD		1		
075	421494-0	RUBBER RING 19		1		
076	322893-8	SAFETY WIRE		1		
077	344784-3	SEAL PLATE		1		
078	443106-5	FELT 10-20		1		
A01	783201-2	HEX. WRENCH 3		1		
A02	410048-8	WRENCH HOLDER 3.4		1		
A03	415524-7	ANTI-SPLINTERING DEVICE		1		
A04	415525-5	PLASTIC COVER		1	*	
A04-1	415887-1	PROTECTOR	S	1		
A05	792522-1	JIG SAW BLADE B-22		1	*	
A05-1	A-85737	JIGSAW BLADE NO.B22	<	1		
A06	792538-6	JIG SAW BLADE B-10		1	*	
A06-1	A-85628	JIGSAW BLADE NO.B10	<	1		
A07-1	A-02294	JIG SAW BLADE BR-13		1	*	
A07-2	A-85793	JIGSAW BLADE NO.BR13	<	1		
A08	415537-8	BASE PLATE		1	*	

A08-1	413068-1	BASE PLATE	S	1			
A09-1	824536-3	PLASTIC CARRYING CASE		1	*		
A09-2	824662-8	PLASTIC CARRYING CASE	O	1	*		
C10	183091-7	SLIDE LATCH RL SET		1	*		
A09-3	824809-4	PLASTIC CARRYING CASE	<	1			
E04	654531-7	TERMINAL BLOCK 2P		1			
E05	534027-3	LEAD ASS'Y (BLACK)		1			
E08	654128-2	EARTH TERMINAL		1	*		
E09	646083-2	CHOKO COIL		1	*		
E10	192547-9	VACUUM HEAD		1			
E11	654556-1	CONNECTOR		1	*		
F28	192557-6	ANTI-SPLITTING DEVICE		1			

Please state Parts No. when your order.

Print Date 10/06/2023