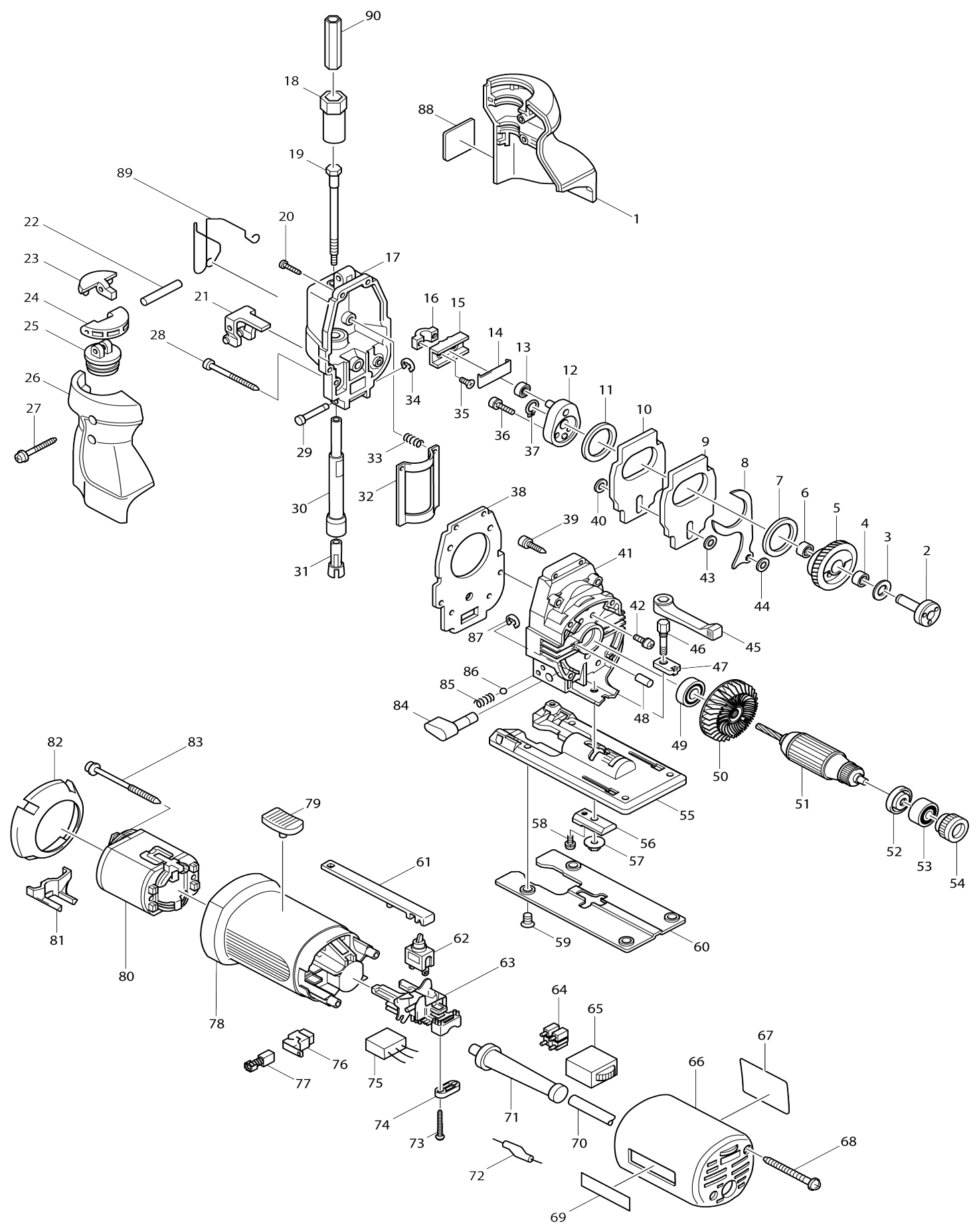


Model No.4305T JIG SAW



Model No.4305T JIG SAW

Item No.	Parts No.	Description	Interchangability	Q'ty	New/Old	Note1	Note2
001	182789-3	HEAD COVER SET		1			
D10		INC. 26					
002	322691-0	GEAR SHAFT		1			
003	253139-0	FLAT WASHER 8		1			
004	212043-2	NEEDLE BEARING 810		1			
005	226428-6	HELICAL GEAR 51		1			
006	212043-2	NEEDLE BEARING 810		1			
007	253792-2	FLAT WASHER 26		1			
008	344134-2	PUSH PLATE		1			
009	344370-0	BALANCE PLATE		1	*		
009-1	344330-2	BALANCE PLATE	X	1			
010	344370-0	BALANCE PLATE		1	*		
010-1	344330-2	BALANCE PLATE	X	1			
011	253792-2	FLAT WASHER 26		1			
012	152454-8	CRANK COMPLETE		1			
C10	256033-5	PIN 6		1			
013	212010-7	NEEDLE BEARING 607		1			
014	344232-2	THRUST PLATE		1			
015	313069-8	SLIDER		1	*		
015-1	310028-3	SLIDER	O	1			
016	316608-3	HOLDER		1			
017	159716-5	GEAR HOUSING COVER COMPLETE		1	*		
C06	214005-6	PLANE BEARING 8		1	*		
C11	214061-6	PLANE BEARING 10		1	*		
C16	262064-4	SPONGE RING		1	*		
C21	267124-7	FLAT WASHER		1	*		
C26	267125-5	FLAT WASHER 9		2	*		
C31	423263-5	SPONGE SHEET 11-20		1	*		
C36	951057-3	SPRING PIN 3-12		2	*		
017-1	151596-5	GEAR HOUSING COVER COMPLETE	S	1	*		
C10	214005-6	PLANE BEARING 8		1	*		
C20	951057-3	SPRING PIN 3-12		2	*		
017-2	153389-6	GEAR HOUSING COVER COMPLETE	<	1			
C10	214005-6	PLANE BEARING 8		1			
C20	951057-3	SPRING PIN 3-12		2			
C30	253310-6	THIN WASHER 10		1			
C40	421821-1	DUST SEAL 8		1			
018	415882-1	JOINT		1	*		
018-1	416351-5	JOINT	S	1			
019	322826-3	DRIVER ROD		1			
020	266034-5	TAPPING SCREW CT 4X16		2			
021	151426-0	RETAINER COMPLETE		1	*		
C10	256667-4	PIN 4		1	*		
C20	322709-7	ROLLER		1	*		
C30	961017-7	STOP RING E-3		1	*		

021-1	152947-5	RETAINER COMPLETE	X	1		
C10	268074-9	PIN 4		1		
C20	152950-6	ROLLER COMPLETE		1		
C30	961017-7	STOP RING E-3		1		
022	256201-0	PIN 5		1	*	
022-1	268310-3	PIN 5	O	1		
023	415883-9	LIFT BUTTON		1		
024	415885-5	KNOB		1		
025	415884-7	BOX WRENCH		1		
026	182789-3	HEAD COVER SET		1		
D10		INC. 1				
027	266053-1	TAPPING SCREW 4X35		2		
028A1	266147-2	TAPPING SCREW 4X55		2		
029	256693-3	PIN 4		1		
030	168282-1	ROD		1		
031	310005-5	BLADE FIX		1		
032	344137-6	SLIDE PLATE		1		
033	233151-6	COMPRESSION SPRING 4		2		
034	961017-7	STOP RING E-3		1		
035	265035-0	COUNTERSUNK HEAD SCREW M4 X10		2		
036	922126-7	HEX. SOCKET HEAD BOLT M4X16		2		
037	961004-6	RETAINING RING (EXT) S-8		1		
038	442119-3	PACKING		1	*	
038-1	442123-2	PACKING	X	1		
039	266045-0	TAPPING SCREW 4X20		2		
040	253715-0	FLAT WASHER 6		1		
041	159852-7	GEAR HOUSING COMPLETE		1	*	
C10	256235-3	PIN 5		3	*	
C21	256143-8	PIN 6		1	*	
C30	256754-9	PIN 5		1	*	
C40	951051-5	SPRING PIN 3-8		2	*	
D10		INC. 48				
041-1	151595-7	GEAR HOUSING COMPLETE	S	1		
C10	256235-3	PIN 5		3		
C20	256143-8	PIN 6		1		
C30	951051-5	SPRING PIN 3-8		2		
D10		INC. 48				
042	911111-5	PAN HEAD SCREW M4X10 WITH W		3		
043	253715-0	FLAT WASHER 6		1		
044	253811-4	FLAT WASHER 5		1	*	
045	272232-1	LEVER 65		1		
046	265434-6	HEX. BOLT M5X24		1		
047	344332-8	NUT M6		1		
048	263002-9	RUBBER PIN 4		1		
049	211031-6	BALL BEARING 608LLB		1		
050A_	241875-0	FAN 54		1	*	
050A1	240039-3	FAN 54	X	1		
051	517098-5	ARMATURE ASS'Y 220V		1		
D10		INC. 49,50,52,53				
052	681636-0	INSULATION WASHER		1		

053	211021-9	BALL BEARING 607LLB		1		
054	421494-0	RUBBER RING 19		1		
055	316777-0	BASE		1		
056	344333-6	CLAMP PLATE		1		
057	252142-8	HEX.NUT FLANGE M5		1		
058	911109-2	PAN HEAD SCREW M4X8		1		
059	912202-5	COUNTERSUNK HEAD SCREW M5 X8		4		
060	344136-8	BASE PLATE		1	*	
060-1	344443-9	BASE PLATE	O	1		
061	415522-1	SWITCH ROD		1		
062	651418-4	SWITCH ST115A-40		1	*	
062-1	651428-1	SWITCH STL115ADF-CD	O	1	*	
062-2	651069-3	SWITCH ST115A-TB-F2	O	1		
063	687070-2	SUPPORT		1		
064	654531-7	TERMINAL BLOCK 2P		1		
065	631183-1	CONTROLLER 220V,240V		1	*	
065-1	631202-3	CONTROLLER 200-240V	X	1	*	
065-2	631678-4	CONTROLLER	O	1		
066	415531-0	REAR COVER		1		
067A_	858430-7	NAME PLATE 4305T		1		
068	266052-3	TAPPING SCREW 4X60		2		
069	819063-3	MAKITA LABEL		1		
070G_	665394-6	POWER SUPPLY CORD 1.0-2-2.5		1		
071	682502-4	CORD GUARD 8-85		1		
072	646083-2	CHOKE COIL		1	*	
073	265995-6	TAPPING SCREW 4X18		2		
074A_	687052-4	STRAIN RELIEF		1		
075	645259-8	NOISE SUPPRESSOR		1	*	
076	643923-5	BRUSH HOLDER		2		
077	191962-4	CARBON BRUSH CB-419		1	*	
077-1	195015-1	CARBON BRUSH SET CB-419	O	1		
078	415748-5	MOTOR HOUSING		1		
079	415523-9	SWITCH LEVER		1		
080	633288-3	FIELD 220V		1		
081	415879-0	AIR CAP		1		
082	415878-2	BAFFLE PLATE		1		
083	266052-3	TAPPING SCREW 4X60		2		
084	272231-3	LEVER 17		1		
085-1	233151-6	COMPRESSION SPRING 4		1		
086	216008-6	STEEL BALL 4		1		
087	961018-5	STOP RING E-5		1		
088	810835-9	CAUTION LABEL		1		
089	322893-8	SAFETY WIRE		1		
090	344537-0	HEX. SLEEVE		1		
091	344784-3	SEAL PLATE		1		
092	443106-5	FELT 10-20		1		
A01	415537-8	BASE PLATE		1	*	
A01-1	413068-1	BASE PLATE	O	1		
A02	415887-1	PROTECTOR		1		
A03	415524-7	ANTI-SPLINTERING DEVICE		1		
A04	792522-1	JIG SAW BLADE B-22		1	*	

A04-1	A-85737	JIGSAW BLADE NO.B22	<	1			
A05	792538-6	JIG SAW BLADE B-10		1	*		
A05-1	A-85628	JIGSAW BLADE NO.B10	<	1			
A06	A-02294	JIG SAW BLADE BR-13		1	*		
A06-1	A-85793	JIGSAW BLADE NO.BR13	<	1			
A07-1	824536-3	PLASTIC CARRYING CASE		1	*		
A07-2	824662-8	PLASTIC CARRYING CASE	O	1	*		
C10	183091-7	SLIDE LATCH RL SET		1	*		
A07-3	824809-4	PLASTIC CARRYING CASE	<	1			
E01	192547-9	VACUUM HEAD		1			
F05	192557-6	ANTI-SPLITTING DEVICE		1			

Please state Parts No. when your order.

Print Date 10/06/2023