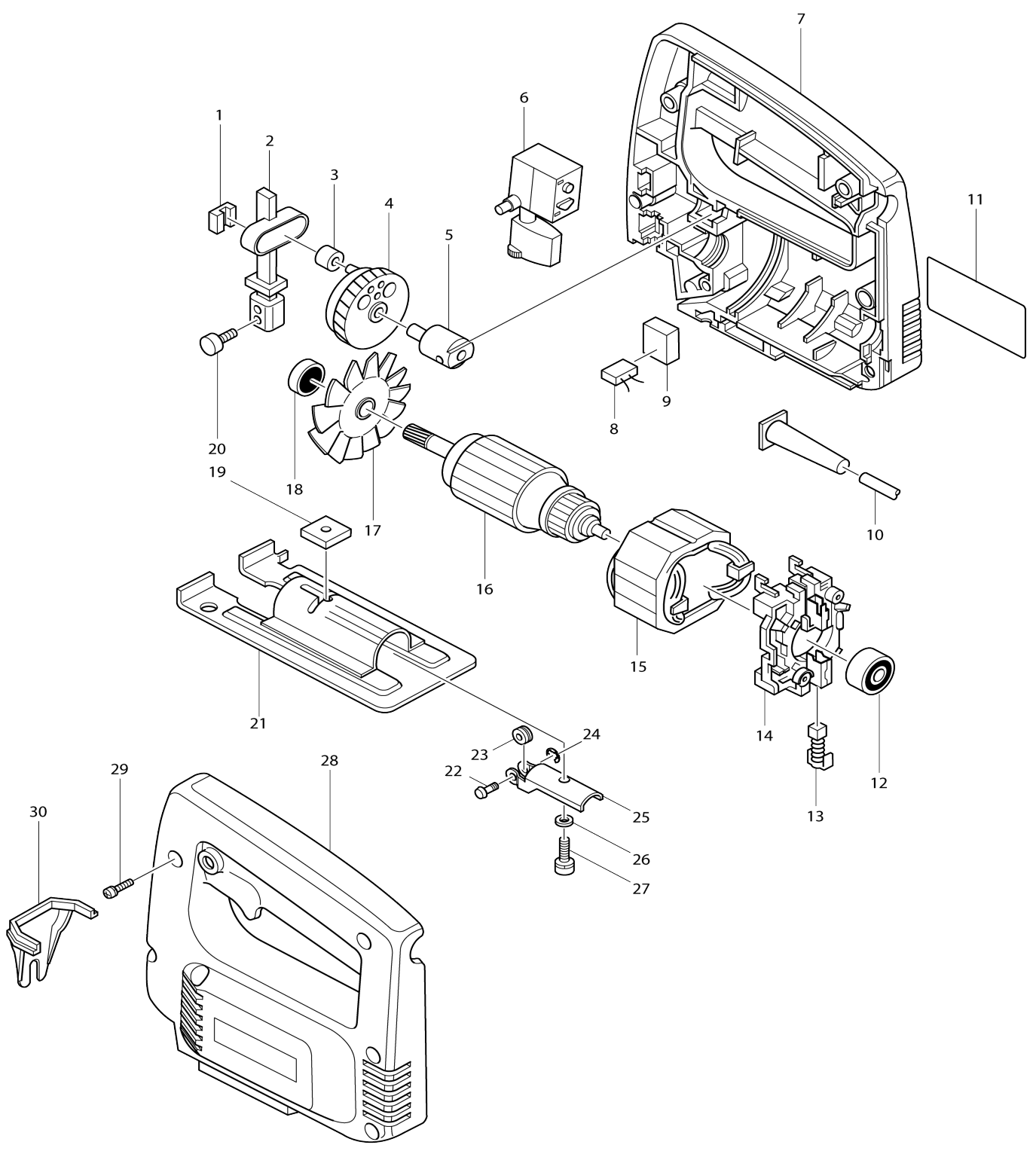


Model No.4320 JIG SAW



Model No.4320 JIG SAW

Item No.	Parts No.	Description	Interchangability	Q'ty	New/Old	Note1	Note2
001	214025-0	PLANE BEARING 4		3			
002-1	154398-8	SLIDER COMPLETE		1			
C10	313057-5	BLADE CLAMP		1			
C20	443076-8	Felt		1			
C30	168234-2	SLIDER		1			
C40	258016-1	Spring pin 1.5-6		1			
003	257625-3	Sleeve 4		1			
004	153183-6	Gear complete		1			
005	152327-5	Pin complete 6		1			
006A_	651247-5	SWITCH 11-12		1	*		
006A1	651256-4	SWITCH SGEL106CV-1A	O	1			
007-1	182375-0	Housing set (blue)		1			
D10		INC. 28					
008A_	645209-3	NOISE SUPPRESSOR		1			
009	685725-3	SPONGE SHEET		1			
010E_	666053-5	POWER SUPPLY CORD 1.0-2-2.0		1			
011	856174-3	Name plate 4320		1			
012	211021-9	BALL BEARING 607LLB		1			
013	191914-5	CARBON BRUSH CB-70		1			
014	632081-2	Terminal base complete 55C		1			
015C_	633048-3	Field 220V		1			
016C_	511728-0	Armature assembly 220V		1			
D10		INC. 12,17,18					
017	241116-4	Fan 60		1			
018	211031-6	BALL BEARING 608LLB		1			
019	343540-8	HOLDER		1			
020	922107-1	HEX. SOCKET HEAD BOLT M4X8		1			
021	164888-3	Base		1			
022	256644-6	PIN 3		1	*		
023-1	322376-8	ROLLER		1	*		
024	257903-1	STOP RING E-2.3		1	*		
025-1	134564-3	BACK ROLLER ASS'Y		1	*		
D10		INC. 22,23,24					
025-2	152927-1	RETAINER COMPLETE	O	1			
026	941052-1	FLAT WASHER 4		1			
027	922121-7	Hex socket head bolt M4X14 W		1			
028-1	182375-0	Housing set (blue)		1			
D10		INC. 7					
029	911148-2	PAN HEAD SCREW M4X25		7			
030	414226-2	Protector (clear)		1			
400	783201-2	HEX. WRENCH 3		1			
401	134521-1	RULE HOLDER ASS'Y		1			
D10		INC. 402					
402	251951-2	HEX. SOCKET C.S.H. SCREW M5X10		1			
403	123030-5	CIRCULAR GUIDE ASS'Y		1			
C10	271601-3	KNOB 20		1			
C20	323223-6	CIRCULAR GUIDE PIN		1			

404	164113-2	GUIDE RULE		1			
901	682502-4	CORD GUARD 8-85		1			

Please state Parts No. when your order.

Print Date 10/06/2023