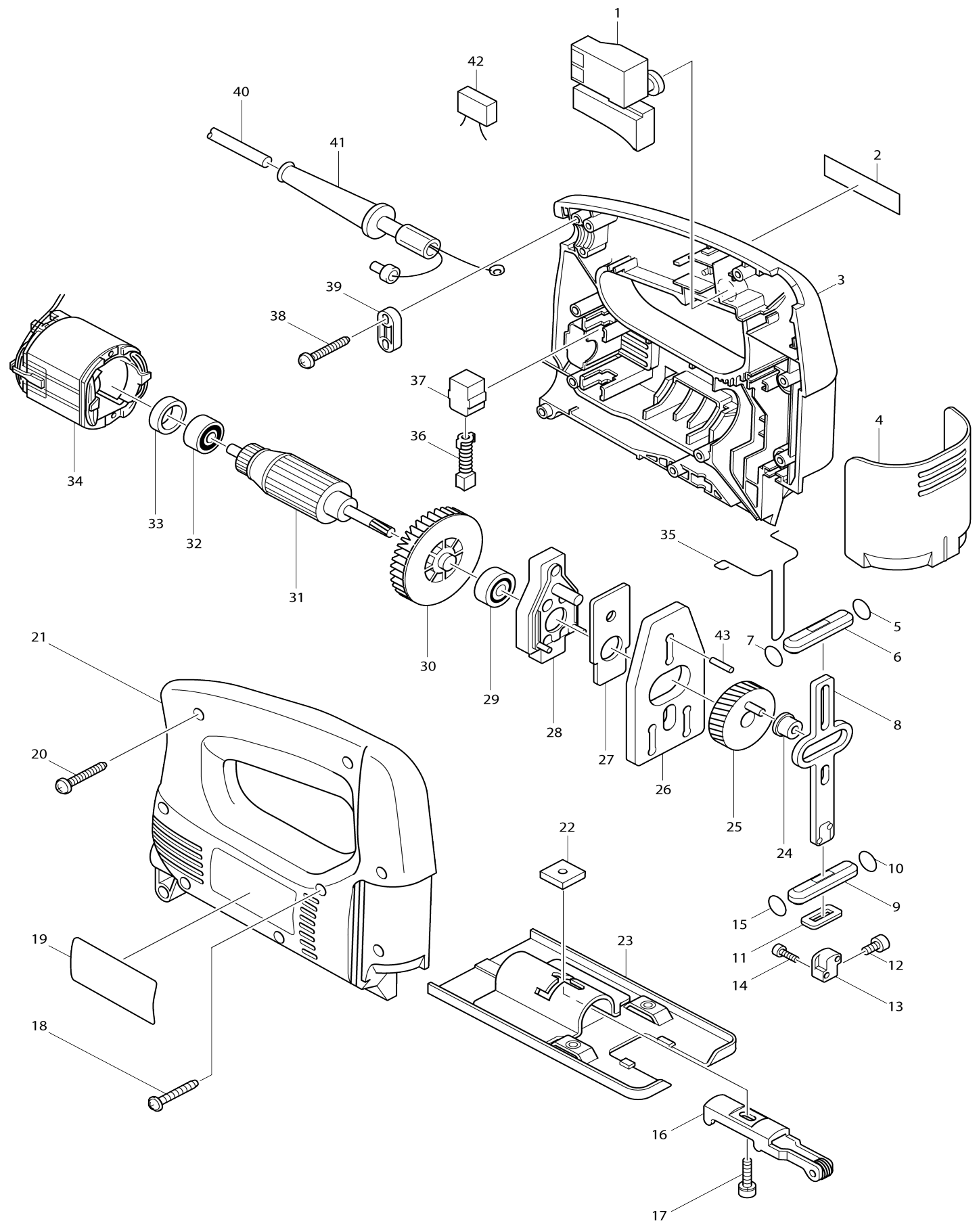


Model No.4322 JIG SAW



Model No.4322 JIG SAW

Item No.	Parts No.	Description	Interchangability	Q'ty	New/Old	Note1	Note2
001	651286-5	SWITCH SGEL206C-5		1	*		
001-1	651286-5	SWITCH SGEL206C-5	O	1			
002	819063-3	MAKITA LABEL		1			
003	183034-9	HOUSING SET		1			
C10	263002-9	RUBBER PIN 4		2			
D10		INC. 2,21					
004	416476-5	DUST COVER		1			
005	213038-8	O RING 5		1			
006	313082-6	SLIDER GUIDE		1			
007	213038-8	O RING 5		1			
008	344613-0	SLIDER		1			
009	313082-6	SLIDER GUIDE		1			
010	213038-8	O RING 5		1			
011	423307-1	POLYURETHANE SPONGE SEAL		1			
012	922107-1	HEX. SOCKET HEAD BOLT M4X8		1			
013	313083-4	BLADE CLAMP		1			
014	266177-3	HEX. SOCKET HEAD BOLT M3X10		2			
015	213038-8	O RING 5		1			
016	152578-0	RETAINER COMPLETE		1			
017	266178-1	HEX. SOCKET HEAD BOLT		1	*		
017-1	922128-3	HEX. SOCKET HEAD BOLT M4X16	O	1			
018	266053-1	TAPPING SCREW 4X35		1			
019	859321-5	NAME PLATE 4322		1	*		
019-1	850951-5	NAME PLATE 4322	O	1			
020	265995-6	TAPPING SCREW 4X18		9			
021	183034-9	HOUSING SET		1			
C10	263002-9	RUBBER PIN 4		2			
D10		INC. 2,3					
022	343540-8	HOLDER		1			
023	163397-9	BASE		1			
024	257683-9	COLLAR SLEEVE		1			
025	153254-9	GEAR COMPLETE		1			
026	344614-8	BALANCE PLATE		1			
027	344615-6	THRUST PLATE		1			
028	152577-2	BEARING CASE COMPLETE		1			
029	210005-4	BALL BEARING 608DDW		1			
030	241881-5	FAN 52		1			
031	517268-6	ARMATURE ASS'Y 220V		1	*		
D10		INC. 29,30,32					
031-1	515718-5	ARMATURE ASS'Y 220V	<	1			
D10		INC. 29,30,32					
032	211021-9	BALL BEARING 607LLB		1	*		
032-1	210025-8	BALL BEARING 627LLB	X	1			
033	257216-0	RING 19		1	*		
034	633408-9	FIELD 220/240V		1			
035	323748-0	SAFETY WIRE		1			
036	191627-8	CARBON BRUSH CB-64		1	*		

036-1	194968-1	CARBON BRUSH SET CB-64	O	1		
037	643552-4	BRUSH HOLDER 5-8		2	*	
037-1	643562-1	BRUSH HOLDER 5X8	O	2	*	
037-2	643552-4	BRUSH HOLDER 5-8	O	2		
038	265995-6	TAPPING SCREW 4X18		2		
039	687063-9	CORD CLAMP		1	*	
039-1	687123-7	STRAIN RELIEF	O	1		
040	666053-5	POWER SUPPLY CORD 1.0-2-2.0		1		
041	682502-4	CORD GUARD 8-85		1		
042	645105-5	NOISE SUPPRESSOR		1		
043	256254-9	PIN 3		1		
A01	792538-6	JIG SAW BLADE B-10		1	*	
A01-1	A-85628	JIGSAW BLADE NO.B10	<	1		
A02	783201-2	HEX. WRENCH 3		1		
E01	646054-9	CHOKE COIL		1		
A03	792514-0	JIG SAW BLADE B-13		1	*	
A04	792517-4	JIG SAW BLADE B-16		1	*	
A05	792522-1	JIG SAW BLADE B-22		1	*	
A06	792523-9	JIG SAW BLADE B-23		1	*	
A07	792691-8	JIG SAW BLADE NO.B-10S		1	*	
A03	824572-9	PLASTIC CARRYING CASE		1		
C10	186347-7	SLIDE LATCH SET		1		

Please state Parts No. when your order.

Print Date 01/03/2024