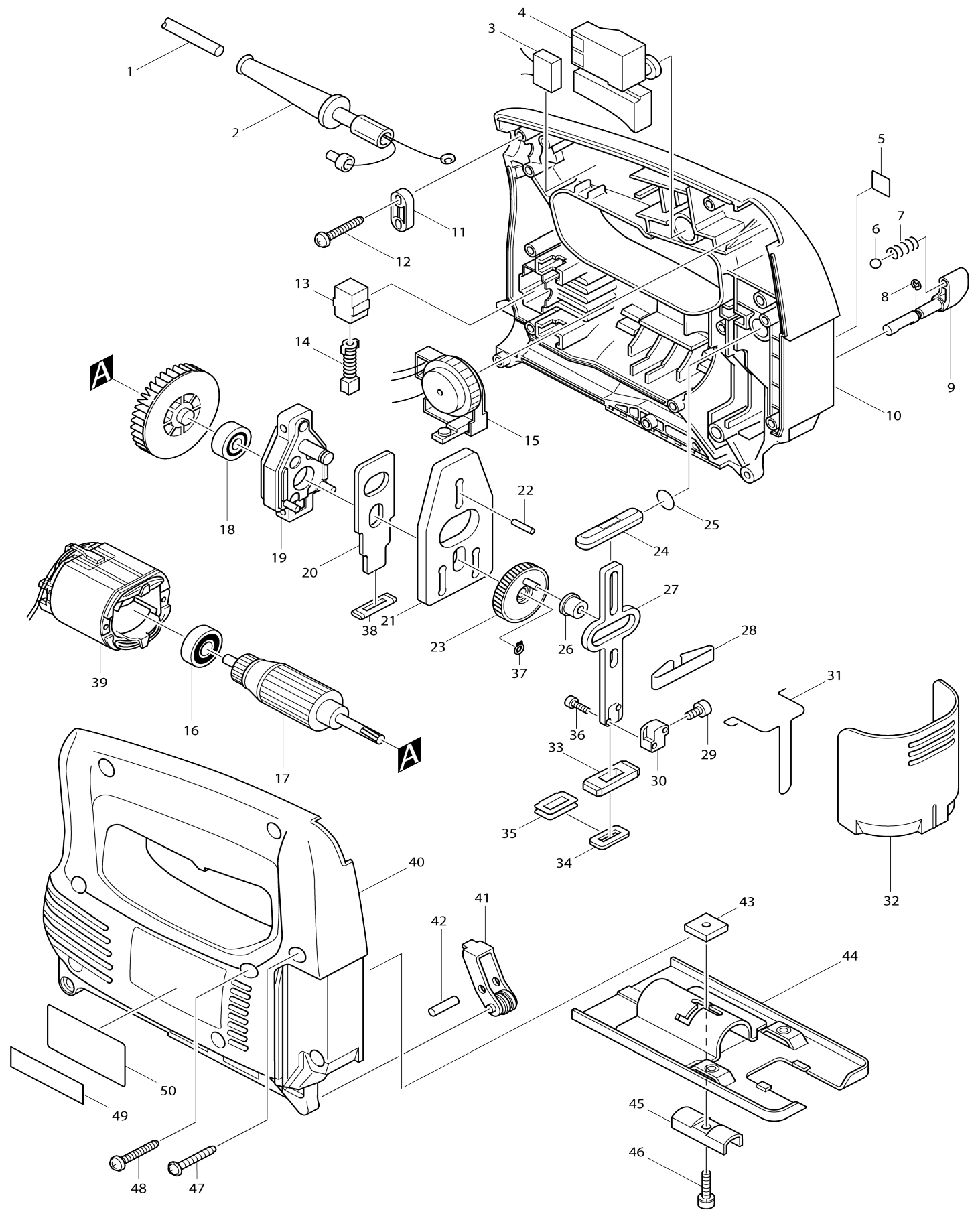


Model No.4324 JIG SAW



Model No.4324 JIG SAW

Item No.	Parts No.	Description	Interchangability	Q'ty	New/Old	Note1	Note2
001F_	666053-5	POWER SUPPLY CORD 1.0-2-2.0		1			
002	682502-4	CORD GUARD 8-85		1			
003	645105-5	NOISE SUPPRESSOR		1			
004	651286-5	SWITCH SGEL206C-5		1	*		
004-1	651286-5	SWITCH SGEL206C-5	O	1			
005	816343-8	INDICATION LABEL		1			
006	216008-6	STEEL BALL 4		1			
007	233151-6	COMPRESSION SPRING 4		1			
008	961011-9	STOP RING E-4		1			
009	272239-7	LEVER 18		1			
010	183051-9	HOUSING SET		1			
C10	263002-9	RUBBER PIN 4		2			
D10		INC. 5,40,49					
011	687063-9	CORD CLAMP		1	*		
011-1	687123-7	STRAIN RELIEF	O	1			
012	265995-6	TAPPING SCREW 4X18		2			
013	643552-4	BRUSH HOLDER 5-8		2	*		
013-1	643562-1	BRUSH HOLDER 5X8	O	2	*		
013-2	643552-4	BRUSH HOLDER 5-8	O	2			
014	191627-8	CARBON BRUSH CB-64		1	*		
014-1	194968-1	CARBON BRUSH SET CB-64	O	1			
015	631266-7	CONTROLLER 220-240V		1	*		
015-1	620409-6	CONTROLLER	O	1			
016	210025-8	BALL BEARING 627LLB		1			
017	517268-6	ARMATURE ASS'Y 220V		1	*		
D10		INC. 16,18,51					
017-1	515718-5	ARMATURE ASS'Y 220V	<	1			
D10		INC. 16,18,51					
018	210005-4	BALL BEARING 608DDW		1			
019	152600-3	BEARING CASE COMPLETE		1			
020	344683-9	PUSH PLATE		1			
021	344614-8	BALANCE PLATE		1			
022	256254-9	PIN 3		1			
023	153260-4	GEAR COMPLETE		1			
024	313082-6	SLIDER GUIDE		1			
025	213038-8	O RING 5		2			
026	257683-9	COLLAR SLEEVE		1			
027	344613-0	SLIDER		1			
028	232183-0	LEAF SPRING		1			
029	922107-1	HEX. SOCKET HEAD BOLT M4X8		1			
030	313083-4	BLADE CLAMP		1			
031	323748-0	SAFETY WIRE		1			
032	416476-5	DUST COVER		1			
033	313086-8	SLIDER SUPPORT		1			
034	423307-1	POLYURETHANE SPONGE SEAL		1			
035	344686-3	SEAL PLATE		1			
036	266177-3	HEX. SOCKET HEAD BOLT M3X10		2			

037	961002-0	RETAINING RING S-6		1		
038	416703-0	DUST SEAL		1		
039	633408-9	FIELD 220/240V		1		
040	183051-9	HOUSING SET		1		
C10	263002-9	RUBBER PIN 4		2		
D10		INC. 5,10,49				
041	152601-1	RETAINER COMPLETE		1		
042	256117-9	PIN 4		1		
043	343540-8	HOLDER		1		
044	163397-9	BASE		1	*	
044-1	317796-9	BASE	S	1		
045	344685-5	CLAMP PLATE		1	*	
045-1	344685-5	CLAMP PLATE	O	1		
046	266178-1	HEX. SOCKET HEAD BOLT		1	*	
046-1	922128-3	HEX. SOCKET HEAD BOLT M4X16	O	1		
047	265995-6	TAPPING SCREW 4X18		9		
048	266053-1	TAPPING SCREW 4X35		1		
049	819063-3	MAKITA LABEL		1		
050	859816-8	NAME PLATE 4324		1	*	
050-1	850955-7	NAME PLATE 4324	O	1		
051	241881-5	FAN 52		1		
A01	792538-6	JIG SAW BLADE B-10		1	*	
A01-1	A-85628	JIGSAW BLADE NO.B10	<	1		
A02	783201-2	HEX. WRENCH 3		1		
E08	345441-6	BASE PLATE		1		
E09	912107-9	COUNTERSUNK HEAD SCREW M4 X8		4		
F06	192557-6	ANTI-SPLITTING DEVICE		1		
A03	792514-0	JIG SAW BLADE B-13		1	*	
A04	792517-4	JIG SAW BLADE B-16		1	*	
A05	792522-1	JIG SAW BLADE B-22		1	*	
A06	792523-9	JIG SAW BLADE B-23		1	*	
A07	792691-8	JIG SAW BLADE NO.B-10S		1	*	
A08	824572-9	PLASTIC CARRYING CASE		1		
C10	186347-7	SLIDE LATCH SET		1		

Please state Parts No. when your order.

Print Date 10/06/2023