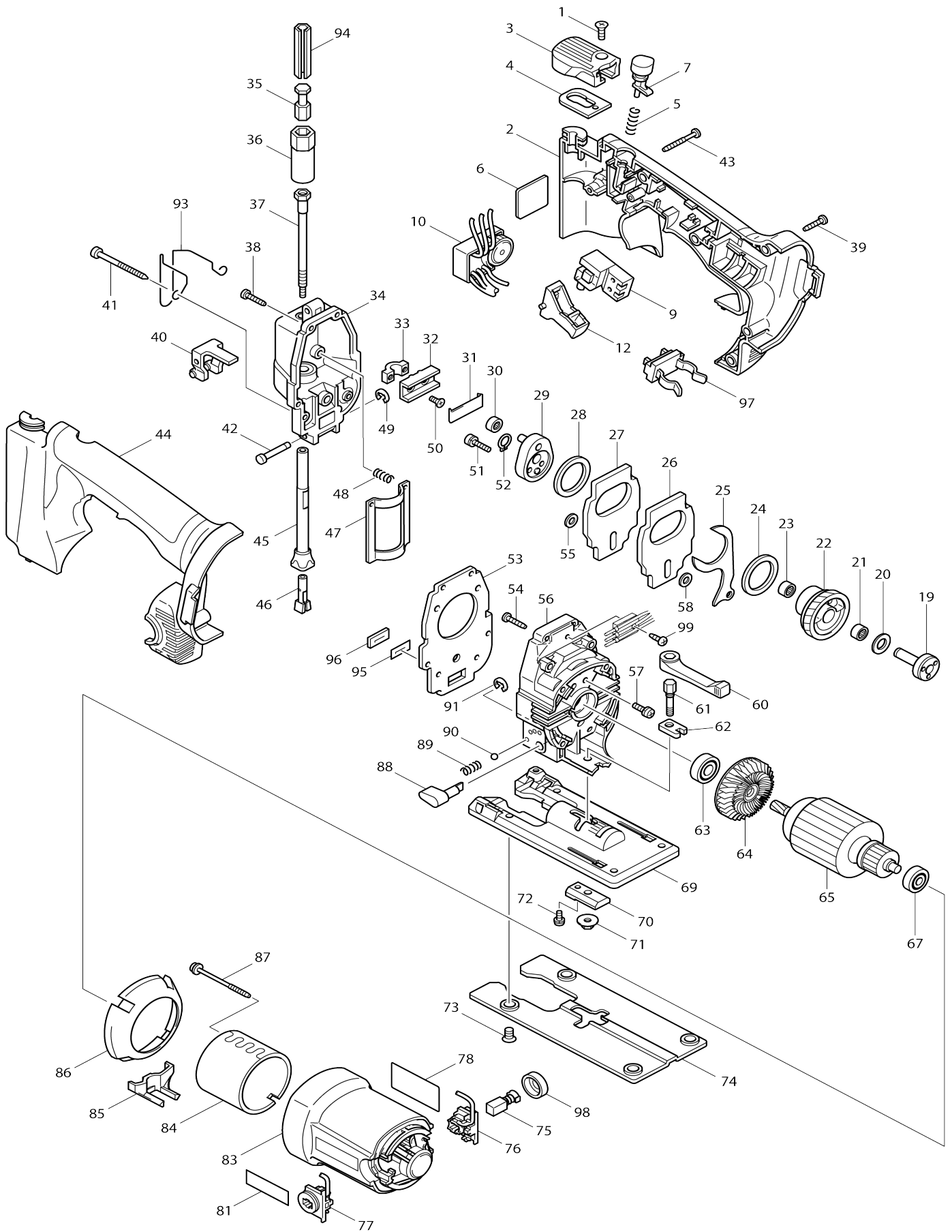


Model No.4334D CORDLESS JIG SAW



Model No.4334D CORDLESS JIG SAW

Item No.	Parts No.	Description	Interchangeability	Q'ty	New/Old	Note1	Note2
001	912102-9	COUNTERSUNK HEAD SCREW M4 X6		1			
002	183302-0	HANDLE SET		1			
D10		INC. 44					
003	416370-1	LEVER 51		1			
004	344331-0	INNER LEVER		1			
005	233194-8	COMPRESSION SPRING 4		1			
006	810835-9	CAUTION LABEL		1			
007	416644-0	SWITCH BUTTON		1			
009	651976-0	SWITCH TG73BD		1			
010	631373-6	CONTROLLER		1			
012	416642-4	SWITCH LEVER		1			
019	322691-0	GEAR SHAFT		1			
020	253139-0	FLAT WASHER 8		1			
021	212043-2	NEEDLE BEARING 810		1			
022	226538-9	HELICAL GEAR 51		1			
023	212043-2	NEEDLE BEARING 810		1			
024	253792-2	FLAT WASHER 26		1			
025	344134-2	PUSH PLATE		1			
026	344330-2	BALANCE PLATE		1			
027	344330-2	BALANCE PLATE		1			
028	253792-2	FLAT WASHER 26		1			
029	152454-8	CRANK COMPLETE		1			
C10	256033-5	PIN 6		1			
030	212010-7	NEEDLE BEARING 607		1			
031	344232-2	THRUST PLATE		1			
032	310028-3	SLIDER		1			
033	316608-3	HOLDER		1			
034	151596-5	GEAR HOUSING COVER COMPLETE		1	*		
C10	214005-6	PLANE BEARING 8		1	*		
C20	951057-3	SPRING PIN 3-12		2	*		
034-1	153389-6	GEAR HOUSING COVER COMPLETE	<	1			
C10	214005-6	PLANE BEARING 8		1			
C20	951057-3	SPRING PIN 3-12		2			
C30	253310-6	THIN WASHER 10		1			
C40	421821-1	DUST SEAL 8		1			
035	324097-8	CONNECTOR		1			
036	416351-5	JOINT		1			
037	322826-3	DRIVER ROD		1			
038	266034-5	TAPPING SCREW CT 4X16		2			
039	265995-6	TAPPING SCREW 4X18		5	*		
039-1	265A48-7	TAPPING SCREW 4X18	O	5			
040	151426-0	RETAINER COMPLETE		1	*		
C10	256667-4	PIN 4		1	*		
C20	322709-7	ROLLER		1	*		
C30	961017-7	STOP RING E-3		1	*		

040-1	152947-5	RETAINER COMPLETE	X	1		
C10	268074-9	PIN 4		1		
C20	152950-6	ROLLER COMPLETE		1		
C30	961017-7	STOP RING E-3		1		
041	266147-2	TAPPING SCREW 4X55		2	*	
041-1	266415-3	TAPPING SCREW 4X55	O	2		
042	256693-3	PIN 4		1		
043	266048-4	TAPPING SCREW 4X40		1		
044	183302-0	HANDLE SET		1		
D10		INC. 2				
045	168282-1	ROD		1		
046	310005-5	BLADE FIX		1		
047	344137-6	SLIDE PLATE		1		
048	233151-6	COMPRESSION SPRING 4		2		
049	961017-7	STOP RING E-3		1		
050	265035-0	COUNTERSUNK HEAD SCREW M4 X10		2		
051	922126-7	HEX. SOCKET HEAD BOLT M4X16		2		
052	961004-6	RETAINING RING (EXT) S-8		1		
053	442123-2	PACKING		1		
054	265995-6	TAPPING SCREW 4X18		2	*	
054-1	265A48-7	TAPPING SCREW 4X18	O	2		
055	253715-0	FLAT WASHER 6		1		
056	152771-6	GEAR HOUSING COMPLETE		1		
C10	256143-8	PIN 6		1		
C20	256235-3	PIN 5		3		
C30	263002-9	RUBBER PIN 4		1		
C40	951051-5	SPRING PIN 3-8		2		
057	911111-5	PAN HEAD SCREW M4X10 WITH W		3		
058	253715-0	FLAT WASHER 6		1		
060	272232-1	LEVER 65		1		
061	265434-6	HEX. BOLT M5X24		1		
062	344332-8	NUT M6		1		
063	211031-6	BALL BEARING 608LLB		1		
064	241875-0	FAN 54		1		
065	519064-8	ARMATURE ASS'Y		1		
D10		INC. 63,64,67				
067	211021-9	BALL BEARING 607LLB		1		
069	316777-0	BASE		1		
070	344333-6	CLAMP PLATE		1		
071	252142-8	HEX.NUT FLANGE M5		1		
072	911109-2	PAN HEAD SCREW M4X8		1		
073	912202-5	COUNTERSUNK HEAD SCREW M5 X8		4		
074	344443-9	BASE PLATE		1		
075	191970-5	CARBON BRUSH CB-429		1	*	
075-1	191976-3	CARBON BRUSH CB-432	<	1	*	
075-2	194435-6	CARBON BRUSH CB-441	<	1	*	
075-3	195022-4	CARBON BRUSH SET CB-441	O	1		
076	643976-4	BRUSH HOLDER R		1		
077	643977-2	BRUSH HOLDER L		1		

078	852927-8	NAME PLATE 4334D		1		
081	819080-3	MAKITA LABEL		1		
083	183324-0	MOTOR HOUSING SET		1		
D10		INC. 81				
084	632828-4	YOKE UNIT		1		
085	415879-0	AIR CAP		1		
086	415878-2	BAFFLE PLATE		1		
087	266209-6	TAPPING SCREW 4X60		2		
088	272231-3	LEVER 17		1		
089	233151-6	COMPRESSION SPRING 4		1	*	
089-1	231314-8	COMPRESSION SPRING 4	O	1		
090	216008-6	STEEL BALL 4		1		
091	961018-5	STOP RING E-5		1		
093	322893-8	SAFETY WIRE		1		
094	344537-0	HEX. SLEEVE		1		
095	344784-3	SEAL PLATE		1		
096	443106-5	FELT 10-20		1		
097	643918-8	BATTERY HOLDER		1		
098	643941-3	BRUSH HOLDER CAP		2		
099	911006-2	PAN HEAD SCREW M3X8		1		
A01	413068-1	BASE PLATE		1		
A02	414938-7	BATTERY COVER		1		
A03	415524-7	ANTI-SPLINTERING DEVICE		1		
A04	415887-1	PROTECTOR		1		
A05	192827-3	BATTERY 1822 SET		1		
A06	792522-1	JIG SAW BLADE B-22		1	*	
A06-1	A-85737	JIGSAW BLADE NO.B22	<	1		
A07	792538-6	JIG SAW BLADE B-10		1	*	
A07-1	A-85628	JIGSAW BLADE NO.B10	<	1		
A08	A-02294	JIG SAW BLADE BR-13		1	*	
A08-1	A-85793	JIGSAW BLADE NO.BR13	<	1		
A09	824553-3	PLASTIC CARRYING CASE		1		
C10	416661-0	LATCH		2		
E01	414938-7	BATTERY COVER		1		
E02	192827-3	BATTERY 1822 SET		1		
A05B_	193102-0	BATTERY 1834 SET		1	*	
A05B 1	193102-0	BATTERY 1834 SET	O	1		
E04	193102-0	BATTERY 1834 SET		1	*	
E04-1	193102-0	BATTERY 1834 SET	O	1		
A05C_	193061-8	BATTERY 1835 SET		1		
E05	193061-8	BATTERY 1835 SET		1		

Please state Parts No. when your order.

Print Date 18/09/2023