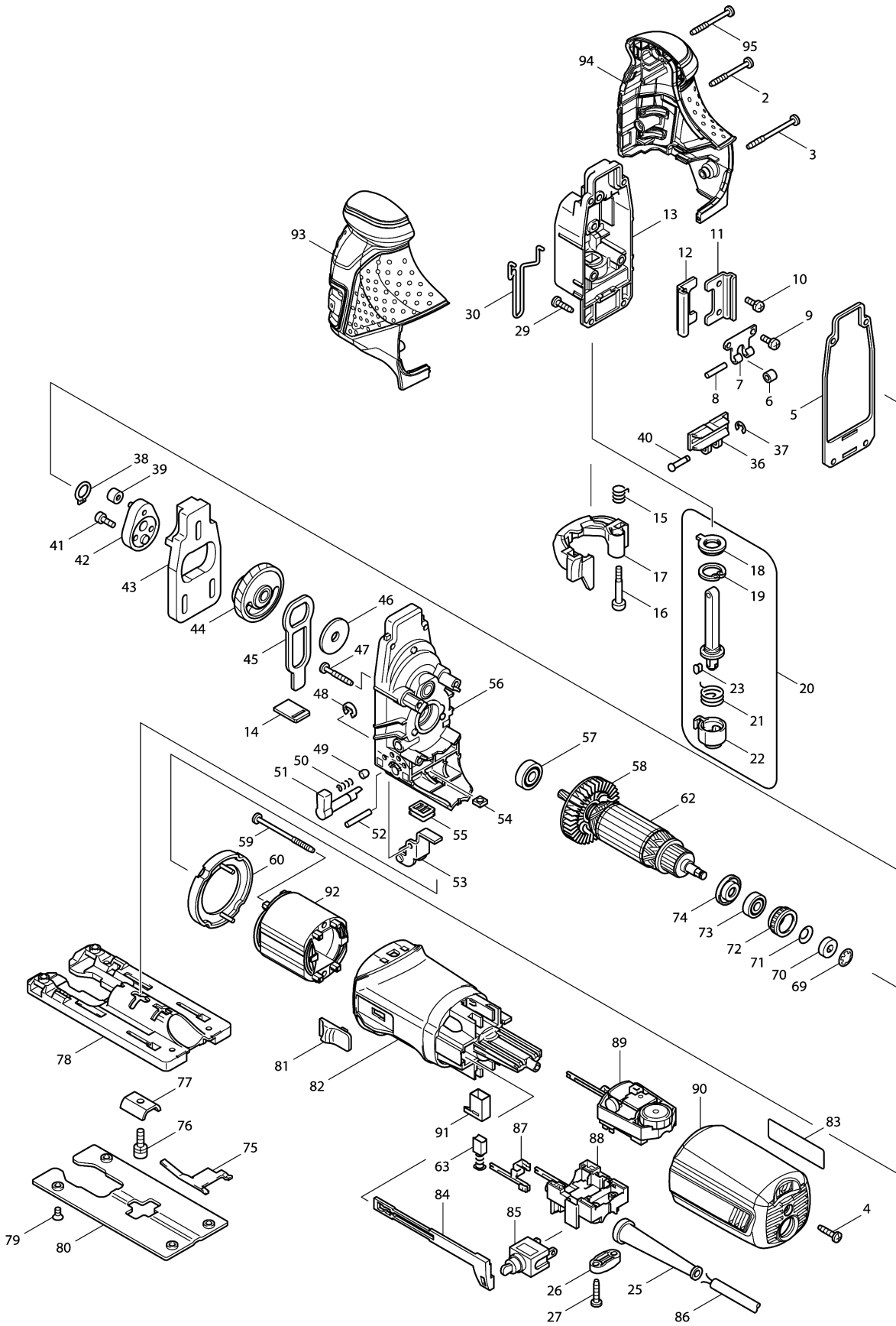


Model No.4351CT JIG SAW



Model No.4351CT JIG SAW

Item	Parts No.	Description	I/C	Qty	New/Old	Opt. 1	Opt. 2	Note
002	266048-4	TAPPING SCREW 4X40		1				
003	266091-3	TAPPING SCREW 4X50		1				
004	265995-6	TAPPING SCREW 4X18		1				
005	442138-9	PACKING		1				
006	214031-5	PLANE BEARING 4		1				
007	232207-2	LEAF SPRING		1				
008	256117-9	PIN 4		1				
009	911111-5	PAN HEAD SCREW M4X10 WITH W		2				
010	911111-5	PAN HEAD SCREW M4X10 WITH W		2				
011	345240-6	LINEAR GUIDE		1				
012	345240-6	LINEAR GUIDE		1				
013	153338-3	GEAR HOUSING COVER COMPLETE		1				
C10	253313-0	THIN WASHER 14		1				
C20	257250-0	RING 20		1				
C30	421815-6	DUST SEAL 8		1				
014	417839-8	SEAL PLATE		1				
015	231659-4	TORSION SPRING 6		1				
016	265026-1	+ PAN HEAD SCREW M4		1				
017	419820-5	TOOL OPENER		1				
018	421817-2	DUST COVER		1				
019	962068-3	RETAINING RING R-18		1				
020	135060-4	ROD ASS'Y		1				
C10	165326-8	ROD		1				
D10		INC. 18,19,21-23						
021	231660-9	TORSION SPRING 15		1				
022	310136-0	BLADE HOLDER		1				
023	310135-2	PUSH PIN		1				
025	682559-5	CORD GUARD 8		1				
026A	687052-4	STRAIN RELIEF		1	*			
026B	687052-4	STRAIN RELIEF		1	*			
026-1A	687124-5	STRAIN RELIEF	O	1				
026-1B	687124-5	STRAIN RELIEF	O	1				
026-1C	687124-5	STRAIN RELIEF		1				
027	265995-6	TAPPING SCREW 4X18		2				
029	266034-5	TAPPING SCREW CT 4X16		4				
030	324233-6	SAFETY WIRE		1				
036	310134-4	SLIDER		1				
037	961017-7	STOP RING E-3		1				
038	961004-6	RETAINING RING (EXT) S-8		1				
039	212014-9	NEEDLE BEARING 407		1	*			
039-1	212092-9	NEEDLE BEARING 407	O	1				
040	268090-1	PIN 4		1				
041A	265353-6	HEX. SOCKET HEAD BOLT M4X12		2	*			

Please order the parts with part number.

Print Date 6/10/2023

Model No.4351CT JIG SAW

Item	Parts No.	Description	I/C	Qty	New/Old	Opt. 1	Opt. 2	Note
041B	265353-6	HEX. SOCKET HEAD BOLT M4X12		2	*			
041C	265353-6	HEX. SOCKET HEAD BOLT M4X12		2				
041-1A	265D42-7	HEX. SOCKET HEAD BOLT M4X12	O	2				
041-1B	265D42-7	HEX. SOCKET HEAD BOLT M4X12	O	2				
042	153336-7	CRANK COMPLETE		1				
043	313108-4	BALANCE PLATE		1				
044	153335-9	GEAR COMPLETE		1				
C10	212043-2	NEEDLE BEARING 810		2				
045	345235-9	PUSH PLATE		1				
046	253877-4	FLAT WASHER 8		1				
047	266050-7	TAPPING SCREW 4X30		4				
048	961018-5	STOP RING E-5		1				
049	286032-3	CAP 5		1				
050	233139-6	COMPRESSION SPRING 3		1				
051	272244-4	LEVER 17		1	*			
051-1	272280-0	LEVER 17	<	1				
052	268063-4	PIN 4		1				
053	153334-1	RETAINER COMPLETE		1				
054	252171-1	SQUARE NUT M5-8		1				
055	421816-4	DUST SEAL		1				
056	153337-5	GEAR HOUSING COMPLETE		1				
057	210005-4	BALL BEARING 608DDW		1				
058	241881-5	FAN 52		1				
059	266052-3	TAPPING SCREW 4X60		2				
060	417838-0	BAFFLE PLATE		1				
062	517398-3	ARMATURE ASS'Y 220-240V		1				
D10		INC. 57,58,73,74						
063	191962-4	CARBON BRUSH CB-419		1				
069	259039-2	SELF LOCK 6		1				
070	688117-5	MAGNET SLEEVE		1				
071	267756-0	WAVE WASHER 6		1				
072	421494-0	RUBBER RING 19		1				
073	211021-9	BALL BEARING 607LLB		1				
074	681636-0	INSULATION WASHER		1				
075	232208-0	LEAF SPRING		1				
076	922226-3	HEX. SOCKET HEAD BOLT M5X18		1				
077	345237-5	CRANK PLATE		1				
078	317565-8	BASE		1				
079	912107-9	COUNTERSUNK HEAD SCREW M4X8		4				
080	345238-3	BASE PLATE		1				
081	417840-3	SWITCH LEVER		1				
082	419893-8	MOTOR HOUSING		1				
083	863686-9	4351CT NAME PLATE		1				

Please order the parts with part number.

Print Date 6/10/2023

Model No.4351CT JIG SAW

Item	Parts No.	Description	I/C	Qty	New/Old	Opt. 1	Opt. 2	Note
084	417841-1	SWITCH ROD		1				
085	651428-1	SWITCH STL115ADF-CD		1	*			
085-1	651069-3	SWITCH ST115A-TB-F2	O	1				
086	665394-6	POWER SUPPLY CORD 1.0-2-2.5		1				
087	654223-8	TERMINAL F		2				
088	638108-6	SWITCH BLOCK UNIT		1				
089	631770-6	CONTROLLER		1				
090	419896-2	REAR COVER		1				
091	643975-6	BRUSH HOLDER		2				
092	633518-2	FIELD 220-240V		1				
093	188289-1	HEAD COVER SET		1				
D10		INC. 94						
094	188289-1	HEAD COVER SET		1				
D10		INC. 93						
095	266048-4	TAPPING SCREW 4X40		1				
A01	415524-7	ANTI-SPLINTERING DEVICE		1				
A02	417852-6	COVER PLATE		1				
A03A	792522-1	JIG SAW BLADE B-22		1	*			
A03B	792522-1	JIG SAW BLADE B-22		1	*			
A03-1A	A-85737	JIGSAW BLADE NO.B22	<	1				
A03-1B	A-85737	JIGSAW BLADE NO.B22	<	1				
A03-1C	A-85737	JIGSAW BLADE NO.B22		1				
A04A	792538-6	JIG SAW BLADE B-10		1	*			
A04B	792538-6	JIG SAW BLADE B-10		1	*			
A04-1A	A-85628	JIGSAW BLADE NO.B10	<	1				
A04-1B	A-85628	JIGSAW BLADE NO.B10	<	1				
A04-1C	A-85628	JIGSAW BLADE NO.B10		1				
A05A	A-02294	JIG SAW BLADE BR-13		1	*			
A05B	A-02294	JIG SAW BLADE BR-13		1	*			
A05-1A	A-85793	JIGSAW BLADE NO.BR13	<	1				
A05-1B	A-85793	JIGSAW BLADE NO.BR13	<	1				
A05-1C	A-85793	JIGSAW BLADE NO.BR13		1				
A06	783202-0	HEX. WRENCH 4		1				
A07A	824809-4	PLASTIC CARRYING CASE		1				
A07B	824810-9	SYSTEMER CASE		1				
A07C	821549-5	CONNECTOR PLASTIC CASE (TYPE1)		1				
C10	453974-8	LATCH		4				
A08	417853-4	DUST NOZZLE		1				
A09C	837803-7	INNER TRAY		1				
A10C	800M84-4	4351CTJ INDICATION LABEL		1				
A11C	800M85-2	4351CTJ PLASTIC CASE LABEL		2				
F01	192516-0	GUIDE RAIL		1				
F02	192557-6	ANTI-SPLITTING DEVICE		1				
F04	193516-3	GUIDE RULE SET		1				

Please order the parts with part number.

Print Date 6/10/2023

Model No.4351CT JIG SAW

Item	Parts No.	Description	I/C	Qty	New/Old	Opt. 1	Opt. 2	Note
C10	165217-3	GUIDE RULE		1				
C20	271601-3	KNOB 20		1				
C30	323802-0	GUIDE PIN		1				
C40	922207-7	HEX. SOCKET HEAD BOLT M5X10		1				
F05-1	193517-1	GUIDE RAIL ADAPTER SET	O	1				
C11	265785-7	THUMB SCREW M5X10	<	1				
C20	347393-7	RULE BAR		1				
C30	417894-0	GUIDE RAIL ADAPTER		1				
F10	194367-7	GUIDE RAIL 3000 SET		1				
C10	413102-7	SEAT 3000		2				
C20	423360-7	POSITION SHEET 3000		1				
C30	423362-3	RUBBER SEAT 3000		2				
C40	819212-2	MAKITA LOGO LABEL		1				
F11	194368-5	GUIDE RAIL 1400 SET		1				
C10	413101-9	SEAT 1400		2				
C20	423359-2	POSITION SHEET 1400		1				
C30	423361-5	RUBBER SEAT 1400		2				
C40	819212-2	MAKITA LOGO LABEL		1				
F12	194925-9	GUIDE RAIL 1900 SET		1				
C10	423386-9	POSITION SHEET 1900		1				
C20	423390-8	RUBBER SHEET 1900		2				
C30	451330-6	SHEET 1900		2				
C40	819212-2	MAKITA LOGO LABEL		1				
F15-2	197252-3	GUIDE RAIL ADAPTER SET	O	1				
F16	199140-0	GUIDE RAIL 1000 SET		1				
F17	199141-8	GUIDE RAIL 1500 SET		1				

Please order the parts with part number.

Print Date 6/10/2023