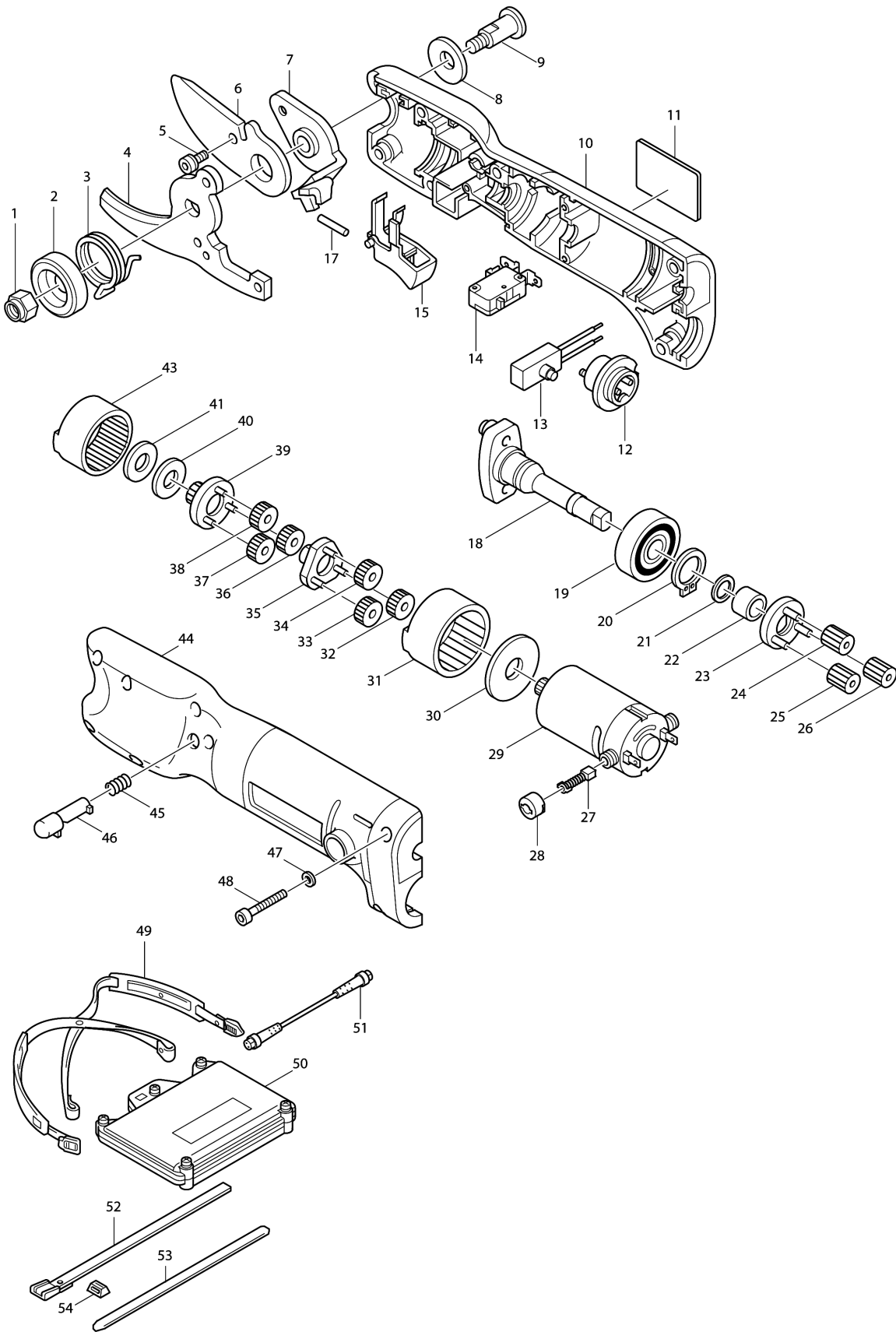


Model No.4603D CORDLESS PRUNING SHEAR



Model No.4603D CORDLESS PRUNING SHEAR

Item	Parts No.	Description	I/C	Qty	New/Old	Opt. 1	Opt. 2	Note
001	252128-2	HEX.NUT M8-13		1				
002-2	165049-8	CUP WASHER 10		1				
003-2	231611-2	TORSION SPRING 25		1				
004	792705-3	SHEAR BLADE (L)		1	*			
004-1	792705-3	SHEAR BLADE (L)	X	1				
005-2	265991-4	HEX. SOCKET HEAD BOLT		1				
006	792704-5	SHEAR BLADE (U)		1				
007-1	311920-6	BLOCK		1	*			
007-2	311920-6	BLOCK	X	1				
008	267052-6	FLAT WASHER 10		1				
009	322508-7	SCREW PIN 10		1	*			
009-1	322508-7	SCREW PIN 10	X	1				
010B1	182474-8	HOUSING SET		1	*			
C10	810618-7	CAUTION LABEL		1	*			
010B2	182474-8	HOUSING SET	X	1				
C10	810618-7	CAUTION LABEL		1				
D10		INC. 44						
011	857002-5	NAME PLATE 4603D		1				
012	655408-9	INLET		1				
013	652633-3	OVER CURRENT RELAY		1				
014	651900-3	SWITCH V-15-1A6		1				
015	154378-4	SWITCH LEVER COMPLETE		1				
018	152360-7	CRANK SHAFT COMPLETE		1	*			
018-1	152360-7	CRANK SHAFT COMPLETE	X	1				
019	211251-2	BALL BEARING 6003LLB		1	*			
019-1	210210-3	BALL BEARING 6003LLB	O	1				
020	961057-5	RETAINING RING S-17		1				
021	267070-4	FLAT WASHER 10		1				
022	214056-9	PLANE BEARING 10		1				
023	165026-0	SUPPORTER		1	*			
023-1	165026-0	SUPPORTER	X	1				
024	226232-3	SPUR GEAR 15		1				
025	226232-3	SPUR GEAR 15		1				
026	226232-3	SPUR GEAR 15		1				
027	191949-6	CARBON BRUSH CB-414		1				
028	643919-6	BRUSH HOLDER CAP		2				
029-1	629640-1	DC MOTOR 14.4V		1				
C10	221851-0	SPUR GEAR 11		1				
D10		INC. 27,28						
030	267067-3	FLAT WASHER 12		1				
031	226205-6	INTERNAL GEAR 67		1				
032	226204-8	SPUR GEAR 28		1				
033	226204-8	SPUR GEAR 28		1				
034	226204-8	SPUR GEAR 28		1				
035	153196-7	SPUR GEAR 11 COMPLETE		1				

Please order the parts with part number.

Print Date 3/1/2024

Model No.4603D CORDLESS PRUNING SHEAR

Item	Parts No.	Description	I/C	Qty	New/Old	Opt. 1	Opt. 2	Note
036	226204-8	SPUR GEAR 28		1				
037	226204-8	SPUR GEAR 28		1				
038	226204-8	SPUR GEAR 28		1				
039	153201-0	SPUR GEAR 9 COMPLETE		1				
040	253180-3	FLAT WASHER 10		1				
043	226202-2	INTERNAL GEAR 39		1	*			
043-1	226202-2	INTERNAL GEAR 39	X	1				
044B1	182474-8	HOUSING SET		1	*			
C10	810618-7	CAUTION LABEL		1	*			
D10		INC. 10			*			
044B2	182474-8	HOUSING SET	X	1				
C10	810618-7	CAUTION LABEL		1				
D10		INC. 10						
045	231393-6	COMPRESSION SPRING 6		1				
046	414464-6	LOCK-OFF BUTTON		1				
047-1	941052-1	FLAT WASHER 4		8	*			
048	922146-1	HEX. SOCKET HEAD BOLT M4X25		8	*			
048-1	922148-7	HEX. SOCKET HEAD BOLT M4X25	S	8				
049	163318-1	SHOULDER STRAP		1				
050-1	192344-3	BATTERY 1402 SET		1				
C10	652590-5	OVER CURRENT RELAY		1				
D10		INC. 49,51-54						
051-1	661974-6	COUPLING CORD		1				
052	163315-7	WAIST BELT		1				
053	444015-1	ADJUST BELT		1				
054	414755-5	SQUARE RING		1				
A01	792704-5	SHEAR BLADE (U)		1				
A02	835235-2	INNER CASE		1	*			
A02-1	835255-6	INNER CASE	X	1	*			
A03	182470-6	OIL SUPPLY		1				
A04-2	231611-2	TORSION SPRING 25		1				
A05	794530-8	DIAMOND FILE 140		1	*			
A05-1	794530-8	DIAMOND FILE 140	O	1				
A06	783202-0	HEX. WRENCH 4		1				
A07	783201-2	HEX. WRENCH 3		1				
A08	782212-4	SOCKET WRENCH 13		1				
A09	182475-6	STEEL CARRYING CASE		1	*			
A09-1	182633-4	STEEL CARRYING CASE	O	1	*			
D10		INC. A02			*			
A09-2	153659-3	PLASTIC CARRYING CASE COMPLETE	O	1				
C10	416401-6	LATCH		2	*			
C11	163467-4	LATCH	X	2				
C20	817202-9	CAUTION LABEL		1				
C30	817204-5	CAUTION LABEL		1				

Please order the parts with part number.

Print Date 3/1/2024

Model No.4603D CORDLESS PRUNING SHEAR

Item	Parts No.	Description	I/C	Qty	New/Old	Opt. 1	Opt. 2	Note
C40	819145-1	MAKITA LOGO LABEL		1				
A10	168232-6	HOLSTER		1				
A11	191949-6	CARBON BRUSH CB-414		1				
B02	125027-0	SHEAR BLADE ASS'Y		1				
D10		INC. 1-9						

Please order the parts with part number.

Print Date 3/1/2024