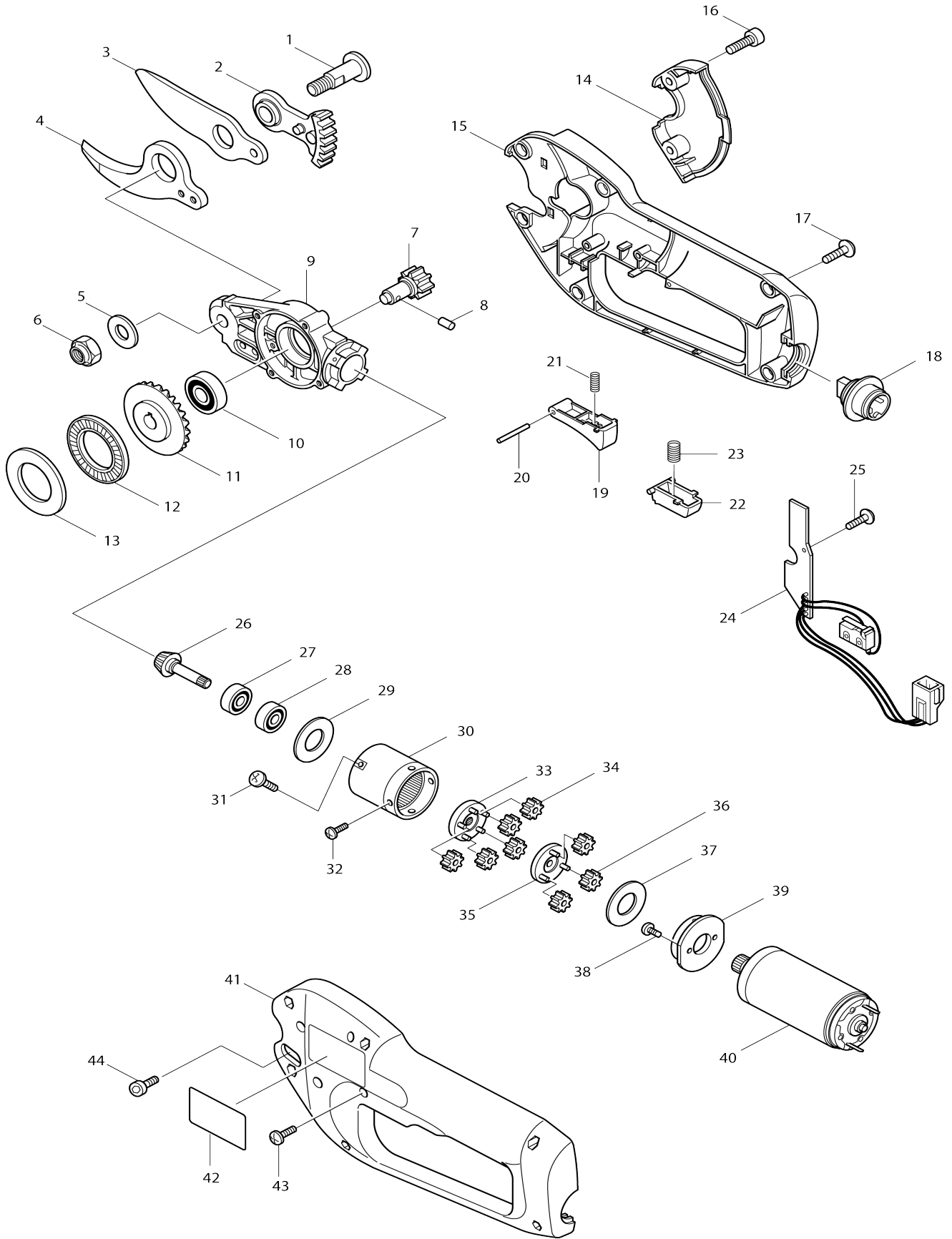


# Model No.4604D CORDLESS PRUNING SHEAR



# Model No.4604D CORDLESS PRUNING SHEAR

Item No.	Parts No.	Description	Interchangeability	Q'ty	New/Old	Note1	Note2
001	266230-5	Round head bolt M8X31		1			
002	151717-9	BLADE HOLDER COMPLETE		1	*		
002-1	153396-9	BLADE HOLDER COMPLETE	<	1			
003	A-86670	SHEAR BLADE(U)		1			
004	A-86664	SHEAR BLADE(L)		1			
005	941201-0	FLAT WASHER 8		1			
006	252128-2	HEX.NUT M8-13		1			
007	226394-7	Spur gear 9		1			
008	256014-9	PIN 3		1			
009	317231-7	Gear housing		1			
010	211051-0	BALL BEARING 609LLB		1			
011	226785-2	Zerol bevel gear 45		1			
012	216416-1	Thrust needle cage 2542		1			
013	216207-0	WASHER 2542		1			
014	416961-8	Blade cover (blue)		1			
015	183142-6	Housing set (blue)		1			
D01		INC. 41					
016	922118-6	HEX. SOCKET HEAD BOLT M4X12		2	*		
016-1	266273-7	HEX. SOCKET HEAD BOLT M4X12	X	2			
017	911028-2	PAN HEAD SCREW M3X16		4			
018	632921-4	Lead unit		1	*		
018-1	638855-9	Lead unit	<	1			
019	416967-6	Switch lever		1			
020	256176-3	PIN 2.5		1			
021	231473-8	COMPRESSION SPRING 4		1			
022	416966-8	Lock off lever		1			
023	233075-6	COMPRESSION SPRING 6		1			
024	631365-5	Hall IC circuit complete		1	*		
024-1	631365-5	Hall IC circuit complete	<	1			
025	911002-0	Pan head screw M3X6		1			
026	226784-4	Zerol bevel gear 13		1			
027	211012-0	BALL BEARING 606ZZ		1			
028	211012-0	BALL BEARING 606ZZ		1			
029	267198-8	FLAT WASHER 14		1			
030	226392-1	Internal gear 44		1			
031	911002-0	Pan head screw M3X6		4			
032	265954-0	TAPPING SCREW BIND PT3X8		2			
033	151718-7	SUPPORTER COMPLETE		1			
034	226386-6	Spur gear 14		5			
035	153269-6	Spur gear 16 Complete		1			
036	226386-6	Spur gear 14		3			
037	267198-8	FLAT WASHER 14		1			
038	265078-2	Pan head screw M2.5X12		2			
039	416968-4	MOTOR HOLDER		1			
040	629742-3	DC motor		1			
C10	226393-9	Spur gear 16		1			
041	183142-6	Housing set (blue)		1			

D10		INC. 15				
042	851738-8	Name plate 4604D		1		
043	911018-5	PAN HEAD SCREW M3X12		4		
044	922118-6	HEX. SOCKET HEAD BOLT M4X12		2	*	
044-1	266273-7	HEX. SOCKET HEAD BOLT M4X12	X	2		
A01	783201-2	HEX. WRENCH 3		1		
A02	410048-8	WRENCH HOLDER 3.4		1		
A03	782212-4	SOCKET WRENCH 13		1		
A04	166054-8	ARM BAND		1	*	
A04-1	166062-9	ARM BAND	O	1		
A05	166055-6	Battery support belt		1		
A06	168335-6	SUSPENDER		1	*	
A06-1	168356-8	SUSPENDER	O	1		
A07	168336-4	Holster		1	*	
A07-1	168359-2	Holster	X	1	*	
A07-2	168542-1	Holster	O	1		
A08	182470-6	OIL SUPPLY		1		
A09	416977-3	Battery cover		1		
A10	630169-2	Controller C4600		1	*	
A10-1	630654-5	Controller C4600	<	1		
A11	193001-6	Battery set 4600		1		
C10	183160-4	Battery case set (blue)		1		
C20	652590-5	OVER CURRENT RELAY		1		
C30	410192-1	RELAY COVER		1		
C40	687096-4	TERMINAL HOLDER		1		
A12	661978-8	Extension cord		1	*	
A12-1	661978-8	Extension cord	O	1	*	
A12-2	661978-8	Extension cord	<	1	*	
A12-3	661979-6	Extension cord	<	1		
A13	A-86670	SHEAR BLADE(U)		1		
A14	824556-7	PLASTIC CASE		1		
C10	416401-6	LATCH		2	*	
C11	163467-4	LATCH	X	2		
C20	819145-1	MAKITA LOGO LABEL		1		
B01	***DC4600	DC4600 BATTERY CHARGER		1		

Please state Parts No. when your order.

Print Date 10/06/2023