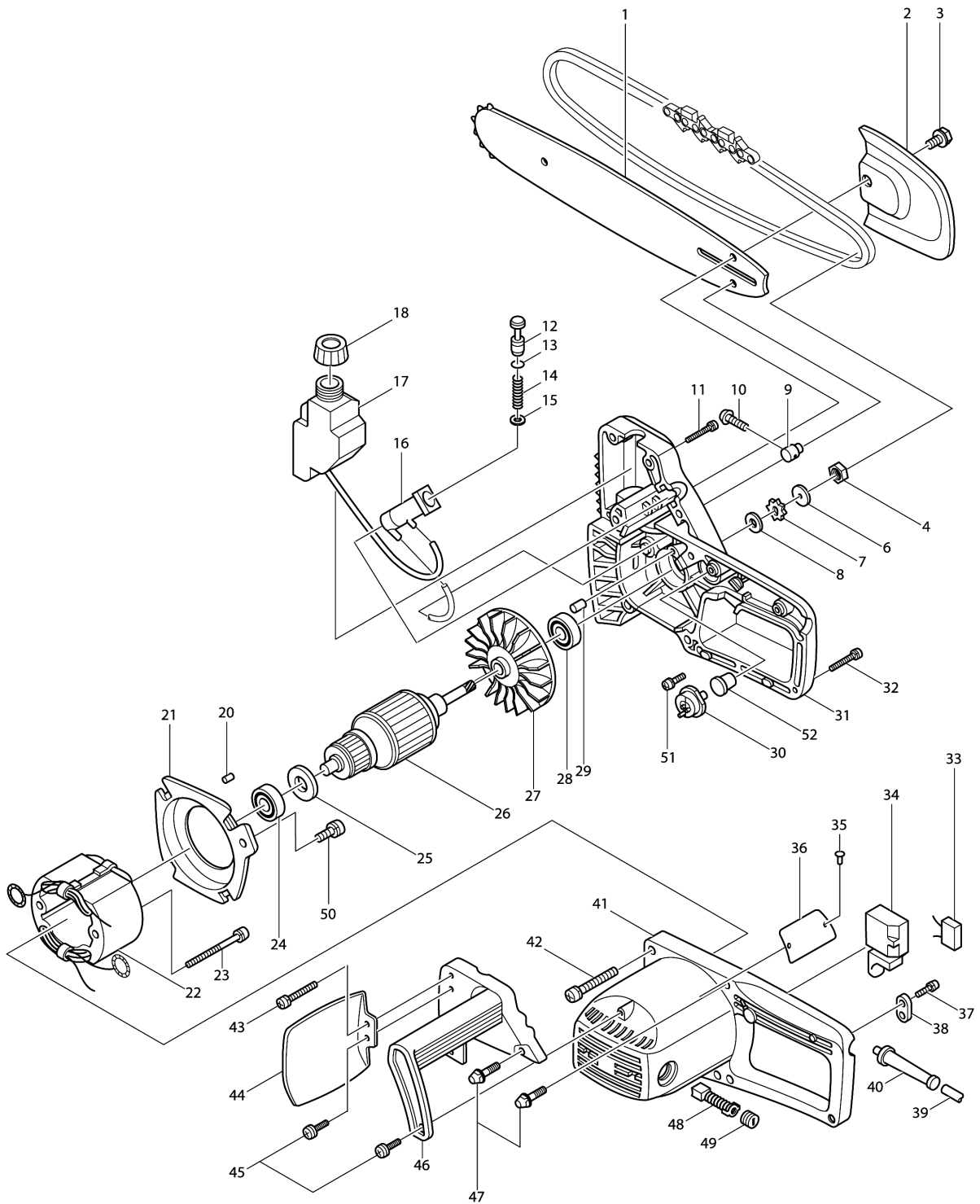


Model No.5012B CHAIN SAW 300MM



Model No.5012B CHAIN SAW 300MM

Item	Parts No.	Description	I/C	Qty	New/Old	Opt. 1	Opt. 2	Note
001A_	163150-3	GUIDE BAR 12		1				
002	341561-4	CHAIN COVER		1				
003	251697-0	HEX. FLANGE HEAD BOLT M8X17		1				
004-1	252070-7	HEX. LOCK NUT M8-13		1				
006	253814-8	FLAT WASHER 8		1				
007	221514-8	SPROCKET 6		1				
008	253813-0	FLAT WASHER 12		1				
009	321260-4	ADJUST PIN		1				
010	251293-4	+ FLAT HEAD SCREW M5X25		1	*			
010-1	251210-4	+ PAN HEAD SCREW M5X25	O	1				
011	911263-2	PAN HEAD SCREW M5X40		1				
012	321261-2	PLUNGER		1				
013	213003-7	O RING 6		1				
014	231294-8	COMPRESSION SPRING 6		1				
015	253811-4	FLAT WASHER 5		1				
016-1	152252-0	CASING COMPLETE		1	*			
C10	216008-6	STEEL BALL 4		1	*			
C20	213014-2	O RING 3		1	*			
016-2	152252-0	CASING COMPLETE	O	1				
C10	216008-6	STEEL BALL 4		1				
C21	213587-5	O RING 3		1				
C30	326896-4	SLEEVE		1				
017-1	155811-9	OIL VESSEL COMPLETE		1				
018	242022-6	CAP		1				
020	263005-3	RUBBER PIN 6		1				
021-1	411736-0	BAFFLE PLATE		1				
022C_	524583-1	FIELD ASS'Y 220V		1				
C10	654020-2	RING TERMINAL		1				
C20	654502-4	CONNECTOR P-2		1				
023-1	911290-9	PAN HEAD SCREW M5X65		2				
024	211068-3	BALL BEARING 6200LB		1				
025-1	681623-9	INSULATION WASHER		1				
026C_	514628-3	ARMATURE ASS'Y 220V		1				
D10		INC. 24-28						
027	241632-6	FAN 90		1				
028	211206-7	BALL BEARING 6202LLB		1				
029	263005-3	RUBBER PIN 6		1				
030A_	652519-1	OVERLOAD PROTECTOR 200V-240V		1				
031E_	157396-1	MOTOR HOUSING COVER		1				
C10	817762-1	CAUTION LABEL		1				
C20	817763-9	CAUTION LABEL		1				
D10		INC. 29						
032	911153-9	PAN HEAD SCREW M4X28		4				
033B_	645200-1	NOISE SUPPRESSOR		1				

Please order the parts with part number.

Print Date 31/10/2023

Model No.5012B CHAIN SAW 300MM

Item	Parts No.	Description	I/C	Qty	New/Old	Opt. 1	Opt. 2	Note
034E1	650210-5	SWITCH SGE215C-3		1				
035	953106-2	RIVET 0-5		2	*			
036	815477-4	NAME PLATE 5012B		1	*			
036-1	853E03-1	5012B NAME PLATE	<	1				
037-1	911133-5	PAN HEAD SCREW M4X18		2				
038B_	687002-9	STRAIN RELIEF		1				
039N1	665500-3	POWER SUPPLY CORD 1.00-2-0.4		1				
040	682504-0	CORD GUARD 10-85		1				
041-2	156433-8	MOTOR HOUSING		1				
C10	643653-8	BRUSH HOLDER 6.5-13.5		2				
C20	913206-0	SET SCREW M5X8		2				
D10		INC. 20						
042	911273-9	PAN HEAD SCREW M5X50		3				
043	911263-2	PAN HEAD SCREW M5X40		1				
044	411747-5	PROTECTOR		1				
045	911233-1	PAN HEAD SCREW M5X20		2				
046	411737-8	SIDE GRIP		1				
047	911253-5	PAN HEAD SCREW M5X30		3				
048-1	181044-0	CARBON BRUSH CB-153		1	*			
048-2	194985-1	CARBON BRUSH SET CB-153	O	1				
049	643650-4	BRUSH HOLDER CAP 6.5-13.5		2	*			
049-1	643650-4	BRUSH HOLDER CAP 6.5-13.5	O	2				
050	911118-1	PAN HEAD SCREW M4X12		1				
051	911109-2	PAN HEAD SCREW M4X8		1				
052	410646-8	RELAY COVER		1				
400-1	182229-1	OIL SUPPLY 100CC		1	*			
D10		INC. 401			*			
400-2	199897-3	OIL VESSEL SET	O	1				
D10		INC. 401						
401	242012-9	OIL SUPPLY NOZZLE		1				
402	744003-1	FILE 4		1				
403	782212-4	SOCKET WRENCH 13		1				
404	783002-8	(+) SCREWDRIVER 2		1				
405	791172-9	CHAIN BLADE 12		1	*			
405-1	196519-6	SAW CHAIN SET	O	1	*			
405-2	191H09-2	SAW CHAIN 12 SET	O	1				

Please order the parts with part number.

Print Date 31/10/2023