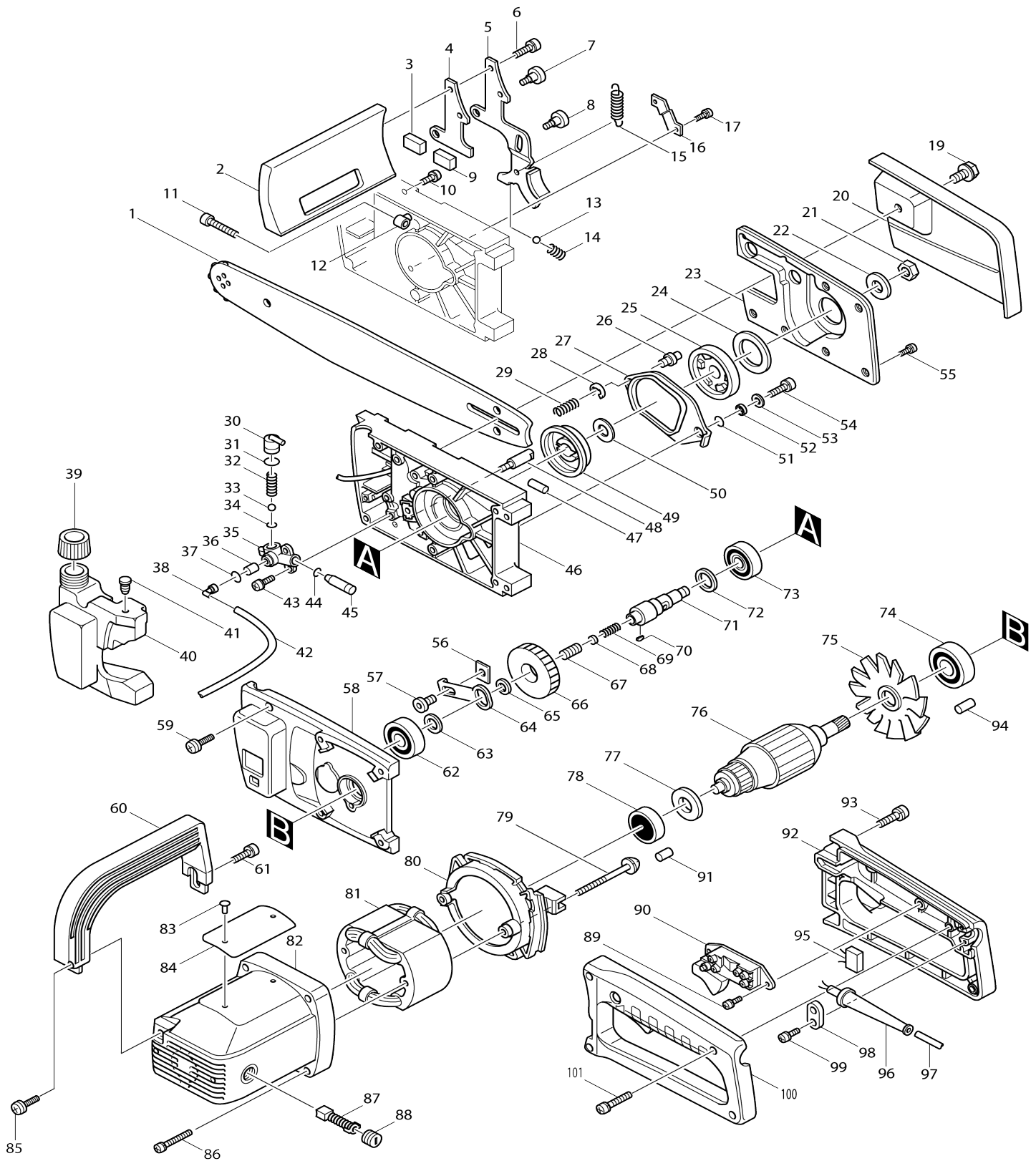


Model No.5016NB CHAIN SAW 375MM



Model No.5016NB CHAIN SAW 375MM

Item No.	Parts No.	Description	Interchangability	Q'ty	New/Old	Note1	Note2
001	168148-5	GUIDE BAR		1			
002	155778-1	PROTECTOR COMPLETE		1			
C10	817801-7	CAUTION LABEL		1			
003	423120-7	PACKING		1			
004	342905-1	SUPPORTER PLATE		1			
005	168146-9	BRAKE LEVER		1			
006	911221-8	PAN HEAD SCREW M5X16		2			
007	265861-7	HEX. SOCKET HEAD BOLT M6		1			
008	265862-5	HEX. SOCKET HEAD BOLT M6		1			
009	423120-7	PACKING		1			
010-1	911213-7	PAN HEAD SCREW M5X12		1			
011	251426-1	- FLAT HEAD SCREW M5X40		1	*		
011-1	265062-7	PAN HEAD SCREW M5X40	O	1			
012	325549-2	ADJUST PIN		1			
013	216011-7	STEEL BALL 5.6		1			
014-1	231445-3	COMPRESSION SPRING 4		1			
015-1	231778-6	TENSION SPRING 9		1			
016	342870-4	COVER PLATE		1			
017	911111-5	PAN HEAD SCREW M4X10 WITH W		2			
019	251697-0	HEX. FLANGE HEAD BOLT M8X17		1			
020	342871-2	CHAIN COVER		1			
021	252043-0	HEX. NUT M8-13		1			
022	267009-7	FLAT WASHER 8		1			
023-1	155751-1	DUST COVER COMPLETE		1			
024	213417-0	DUST SEAL 30		1			
025	152274-0	SPROCKET COMPLETE		1			
C10	214052-7	PLANE BEARING 10		1			
026	256421-6	PIN 6		1			
027	342869-9	CLUTCH PRESSURE		1			
028	961017-7	STOP RING E-3		1			
029	231372-4	COMPRESSION SPRING 5		1			
030	410525-0	NOZZLE B		1			
031	213007-9	O RING 8		1			
032-1	231400-5	COMPRESSION SPRING 3		1			
033-1	216001-0	STEEL BALL 3.5		1			
034	213022-3	O RING 3		1			
035-1	134374-8	CASING ASS'Y		1			
C10	410526-8	CASING		1			
036-1	423135-4	FILTER		1			
037	213054-0	O RING 9		1			
038	410524-2	NOZZLE A		1			
039	242042-0	CAP		1			
040-2	134374-8	CASING ASS'Y		1			
C10	410526-8	CASING		1			
041	421298-0	CHECK VALVE		1			
042-1	412072-7	TUBE 3		1			
043	911118-1	PAN HEAD SCREW M4X12		3			

044	213022-3	O RING 3		2		
045-2	321946-0	PLUNGER		1		
046	157517-5	GEAR HOUSING		1		
047	256152-7	PIN 6		1		
048	321396-9	CHAIN CATCHER		1		
049	223067-3	CLUTCH CAM		1		
050	253878-2	FLAT WASHER 10		1		
051	257113-0	RING 5		1		
052	253308-3	THIN WASHER 6		1		
053	253184-5	FLAT WASHER 5		1		
054	911221-8	PAN HEAD SCREW M5X16		1		
055	911111-5	PAN HEAD SCREW M4X10 WITH W		6		
056	342874-6	SLIDER PLATE		1		
057	265863-3	HEX. SOCKET HEAD BOLT M6		1		
058	157556-5	GEAR HOUSING COVER		1		
C10	263002-9	RUBBER PIN 4		1		
C20	263005-3	RUBBER PIN 6		1		
C30	817800-9	CAUTION LABEL		1		
059	911231-5	PAN HEAD SCREW M5X20		2		
060-1	273620-5	GRIP		1		
061	911221-8	PAN HEAD SCREW M5X16		2		
062	211101-1	BALL BEARING 6001LLB		1		
063	253084-9	FLAT WASHER 12		1		
064	342873-8	SLIDER		1		
065	253771-0	FLAT WASHER 16		1		
066	221741-7	HELICAL GEAR 53		1		
067	913426-6	SET SCREW M8X16		1		
068	342876-2	PLATE		1		
069	231271-0	COMPRESSION SPRING 4		1		
070	254032-1	WOODRUFF KEY 5		1		
071	321860-0	SPINDLE		1		
072	267011-0	FLAT WASHER 17		1		
073	211251-2	BALL BEARING 6003LLB		1	*	
073-1	210210-3	BALL BEARING 6003LLB	O	1		
074	211106-1	BALL BEARING 6201LLB		1		
075	241093-0	FAN 97		1		
076D_	514797-0	ARMATURE ASS'Y 220V		1	*	
D10		INC. 74,75,77,78				
076D 1	514557-0	ARMATURE ASS'Y 220V	O	1	*	
D10		INC. 74,75,77,78				
076D 2	514797-0	ARMATURE ASS'Y 220V	X	1		
D10		INC. 74,75,77,78				
077-1	681624-7	INSULATION WASHER		1	*	
077-2	681635-2	INSULATION WASHER	O	1		
078	211068-3	BALL BEARING 6200LB		1		
079-1	911295-9	PAN HEAD SCREW M5X70		2		
080	410519-5	BAFFLE PLATE		1		
081C_	524763-9	FIELD ASS'Y 220V		1		
C10	654020-2	RING TERMINAL		2		

C20	654502-4	CONNECTOR P-2		2		
082	157516-7	MOTOR HOUSING		1		
C10	643653-8	BRUSH HOLDER 6.5-13.5		2		
C20	913206-0	SET SCREW M5X8		2		
C30	263013-4	RUBBER PIN 4		1		
083	953106-2	RIVET 0-5		2		
084	855235-6	NAME PLATE 5016NB		1		
085	911231-5	PAN HEAD SCREW M5X20		1		
086	911273-9	PAN HEAD SCREW M5X50		4		
087-1	181044-0	CARBON BRUSH CB-153		1	*	
087-2	194985-1	CARBON BRUSH SET CB-153	O	1		
088	643650-4	BRUSH HOLDER CAP 6.5-13.5		2	*	
088-1	643650-4	BRUSH HOLDER CAP 6.5-13.5	O	2		
089	911101-8	PAN HEAD SCREW M4X6		2		
090B1	651040-7	SWITCH HPAH2-22S		1		
091	263013-4	RUBBER PIN 4		1		
092A1	181861-8	HANDLE SET		1		
C10	410663-8	STOPPER PIN		1		
D10		INC. 100				
093	911228-4	PAN HEAD SCREW M5X18		4		
094	263002-9	RUBBER PIN 4		1		
095B_	645200-1	NOISE SUPPRESSOR		1		
096	682505-8	CORD GUARD 10-90		1		
097G_	665527-3	POWER SUPPLY CORD 1.00-2-5.0		1		
098A_	687001-1	STRAIN RELIEF		1		
099-1	911133-5	PAN HEAD SCREW M4X18		2		
100A1	181861-8	HANDLE SET		1		
C10	410663-8	STOPPER PIN		1		
D10		INC. 92				
101	911153-9	PAN HEAD SCREW M4X28		2		
102	410630-3	SAFETY COVER		1		
103	911238-1	PAN HEAD SCREW M5X22		1		
400	791140-2	CHAIN BLADE 16		1	*	
401-1	182229-1	OIL SUPPLY 100CC		1		
D10		INC. 402				
402	242012-9	OIL SUPPLY NOZZLE		1		
403	744003-1	FILE 4		1		
404	782212-4	SOCKET WRENCH 13		1		
405	783001-0	(-) SCREWDRIVER 6		1		
406-1	414537-5	GUIDE BAR CASE		1		
901	158024-1	HOOK COMPLETE		1		

Please state Parts No. when your order.

Print Date 10/06/2023