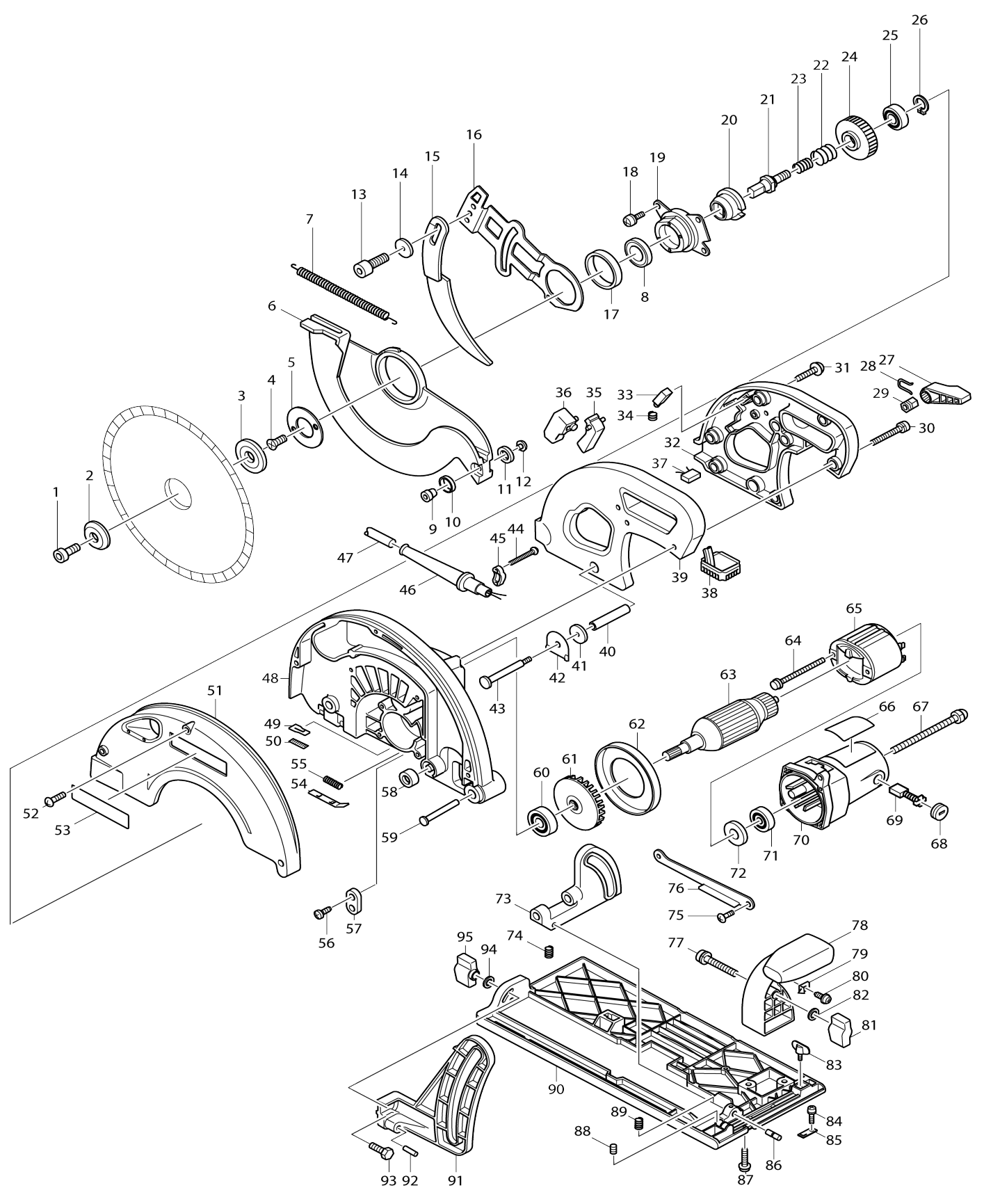


Model No.5103R CIRCULAR SAW 270MM



Model No.5103R CIRCULAR SAW 270MM

Item No.	Parts No.	Description	Interchangability	Q'ty	New/Old	Note1	Note2
001	266083-2	HEX. SOCKET HEAD BOLT M10X25		1			
002	224325-0	OUTER FLANGE 45		1			
003	224326-8	INNER FLANGE 45		1			
004	912222-9	COUNTERSUNK HEAD SCREW M5X16		2			
005	285681-3	BEARING RETAINER 34-62		1			
006	316707-1	SAFETY COVER		1	*		
006-1	318062-7	SAFETY COVER	<	1	*		
006-2	312E54-8	DEPTH GUIDE	O	1			
007	231804-1	TENSION SPRING 6		1	*		
007-1	231841-5	TENSION SPRING 6	S	1	*		
007-2	232462-6	TENSION SPRING 6	<	1			
008	211278-2	BALL BEARING 6203DDW		1			
009	415437-2	ROLLER PIN 6		1			
010	415438-0	ROLLER 20		1			
011	415438-0	ROLLER 20		1			
012	415437-2	ROLLER PIN 6		1			
013	922422-3	HEX. SOCKET HEAD BOLT M8X16		1			
014	253814-8	FLAT WASHER 8		1	*		
014-1	267284-5	FLAT WASHER 8	<	1			
015	165134-7	RIVING KNIFE		1	*		
015-1	345750-3	RIVING KNIFE	S	1			
016	344260-7	RIVING KNIFE HOLDER		1	*		
016-1	345752-9	RIVING KNIFE HOLDER	<	1	*		
016-2	345752-9	RIVING KNIFE HOLDER	O	1			
017	344303-5	THICKNESS RING		1			
018	911223-4	PAN HEAD SCREW M5X16		4			
019	316709-7	BEARING BOX		1			
020	322830-2	LOCK SLEEVE		1			
021	322827-1	SPINDLE		1			
022	231968-1	LOCK SPRING 27		1			
023	231969-9	LOCK SPRING 20		1			
024	226452-9	HELICAL GEAR 39		1			
025	211104-5	BALL BEARING 6001		1			
026	961052-5	RETAINING RING (EXT) S-12		1			
027	272230-5	LEVER 54		1			
028	231955-0	RING SPRING 12		1			
029	252134-7	HEX. NUT M8		1			
030	911263-2	PAN HEAD SCREW M5X40		3			
031	266041-8	TAPPING SCREW 5X25		4			
032	182773-8	HANDLE SET		1			
D10		INC. 39					
033	415440-3	LOCK-OFF BUTTON		1			
034	231230-4	COMPRESSION SPRING 4		1			
035	415439-8	SWITCH LEVER		1			
036	651923-1	SWITCH TG70B		1			
037	645105-5	NOISE SUPPRESSOR		1			

037A_	645200-1	NOISE SUPPRESSOR		1		
038A_	631209-9	CONTROLLER 200/220/240V		1		
039	182773-8	HANDLE SET		1		
D10		INC. 32				
040	331469-0	PIPE 9		1		
041	253814-8	FLAT WASHER 8		1	*	
041-1	267216-2	FLAT WASHER 8	O	1		
042	232151-3	LEAF SPRING		1		
043	266019-1	CAP SQUARE NECK BOLT M8X98		1		
044	265995-6	TAPPING SCREW 4X18		2		
045D_	687063-9	CORD CLAMP		1	*	
045D 1	687052-4	STRAIN RELIEF	X	1		
046B_	682540-6	CORD GUARD 9.3-90		1	*	
046B1	682505-8	CORD GUARD 10-90	O	1		
047K1	665890-4	POWER SUPPLY CORD 1.0-2-4.0		1		
048	152499-6	BLADE CASE COMPLETE		1	*	
C10	263005-3	RUBBER PIN 6		1	*	
048-1	158090-8	BLADE CASE COMPLETE	S	1	*	
C10	263005-3	RUBBER PIN 6		1	*	
048-2	141555-1	BLADE CASE COMPLETE	O	1		
C10	263005-3	RUBBER PIN 6		1		
049	443098-8	FELT		1		
050	344263-1	PLATE		1		
051	316705-5	BLADE CASE COVER		1	*	
051-1	312E37-8	BLADE CASE COVER	O	1		
052	266036-1	TAPPING SCREW BIND CT 5X20		3		
053	819084-5	MAKITA LABEL		1		
054	344261-5	SHAFT LOCK		1		
055	233084-5	COMPRESSION SPRING 6		1	*	
055-1	233092-6	COMPRESSION SPRING 5	O	1	*	
055-2	233084-5	COMPRESSION SPRING 6	O	1		
056	266034-5	TAPPING SCREW CT 4X16		2		
057	687053-2	STRAIN RELIEF		1		
058	262007-6	RUBBER RING 8		1		
059	268008-2	PIN 10		1		
060	211227-9	BALL BEARING 6002DDW		1	*	
060-1	211236-8	BALL BEARING 6002DDW	O	1		
061	241889-9	FAN 74		1		
062	415768-9	BAFFLE PLATE		1		
063B_	516653-0	ARMATURE ASS'Y 220/240V		1		
D10		INC. 71,72				
064	911944-8	PAN HEAD SCREW M5X80		2		
065B_	636113-7	FIELD 220/240V		1	*	
065B1	596318-0	FIELD ASS'Y 220-240V	S	1		
C10	654197-3	RING TERMINAL		2		
C20	654502-4	CONNECTOR P-2		2		
066	857935-4	NAME PLATE 5103R		1		
067	911288-6	PAN HEAD SCREW M5X65		4		
068	643700-5	BRUSH HOLDER CAP 7-18		2		
069	191953-5	CARBON BRUSH CB-203		1	*	
069-1	194991-6	CARBON BRUSH SET CB203	O	1		

070B_	159843-8	MOTOR HOUSING 200-240V		1	*		
C10	632542-2	SUPPORT UNIT 200-240V		1	*		
C20	643705-5	BRUSH HOLDER		2	*		
C21	643707-1	BRUSH HOLDER	O	2	*		
070B1	158628-9	MOTOR HOUSING 200-240V	S	1			
C10	643712-8	BRUSH HOLDER		2			
071	211056-0	BALL BEARING 629LLB		1	*		
071-1	210042-8	BALL BEARING 629LLB	O	1			
072	681633-6	INSULATION WASHER		1			
073	316779-6	ANGULAR PLATE		1	*		
073-1	318262-9	ANGLER PLATE	O	1			
074	266039-5	H.S.SET SCREW(FLAT POINT) M6X 6		1			
075	265028-7	+ PAN HEAD SCREW M4X11		1			
076	152511-2	LINK COMPLETE		1			
077	921477-5	HEX. BOLT M8X55		1			
078	415722-3	ANGULAR PLATE GUIDE		1			
079	816128-2	POINTER		1			
080-1	266020-6	TAPPING SCREW 4X12		1			
081	252626-6	WING NUT		1			
082	941201-0	FLAT WASHER 8		1			
083	265701-9	THUMB SCREW M6X14		1			
084	911108-4	PAN HEAD SCREW M4X8		1	*		
084-1	911109-2	PAN HEAD SCREW M4X8	<	1			
085	415433-0	TOP GUIDE		1			
086	256231-1	PIN 6		1			
087	266021-4	TAPPING SCREW 5X20		2			
088	266039-5	H.S.SET SCREW(FLAT POINT) M6X 6		1			
089	265993-0	H.S.SET SCREW(CUP POINT)M4X5		1			
090	316706-3	BASE		1	*		
090-1	316706-3	BASE	O	1	*		
090-2	312E51-4	BASE	O	1			
091	316708-9	DEPTH GUIDE		1	*		
091-1	312E52-2	DEPTH GUIDE	O	1			
092	951210-1	SPRING PIN 6-20		1			
093	921342-8	HEX. BOLT M6X25		1			
094	941151-9	FLAT WASHER 6		1			
095	252624-0	WING NUT M6		1			
A01	A-80008	T.C.T. SAW BLADE 270X18TX30		1	*		
A01-1	B-12859	TCT SAW BLADE 270X18TX30	O	1			
A02	165084-6	GUIDE RULE		1			
A03	783204-6	HEX. WRENCH 6		1			
B01	192419-8	JOINT SET		1			
D10		INC. E06,E07					
E02	654079-9	INSULATED RECEPTACLE DF1.25		4			
E03	654509-0	CONNECTOR 2-SD		4			
E04	654510-5	INSULATED CONNECTOR 5.5-SD		1			
E05	654082-0	INSULATED RECEPTACLE DF2-18 7A		2			
E06	415426-7	JOINT		1			
E07	266026-4	TAPPING SCREW BIND CT 4X12		2			

E08	651941-9	SWITCH V-15-2A5		1			
F01	192507-1	GUIDE RAIL ADAPTER		0			
F02	199140-0	GUIDE RAIL 1000 SET		1			

Please state Parts No. when your order.

Print Date 10/06/2023