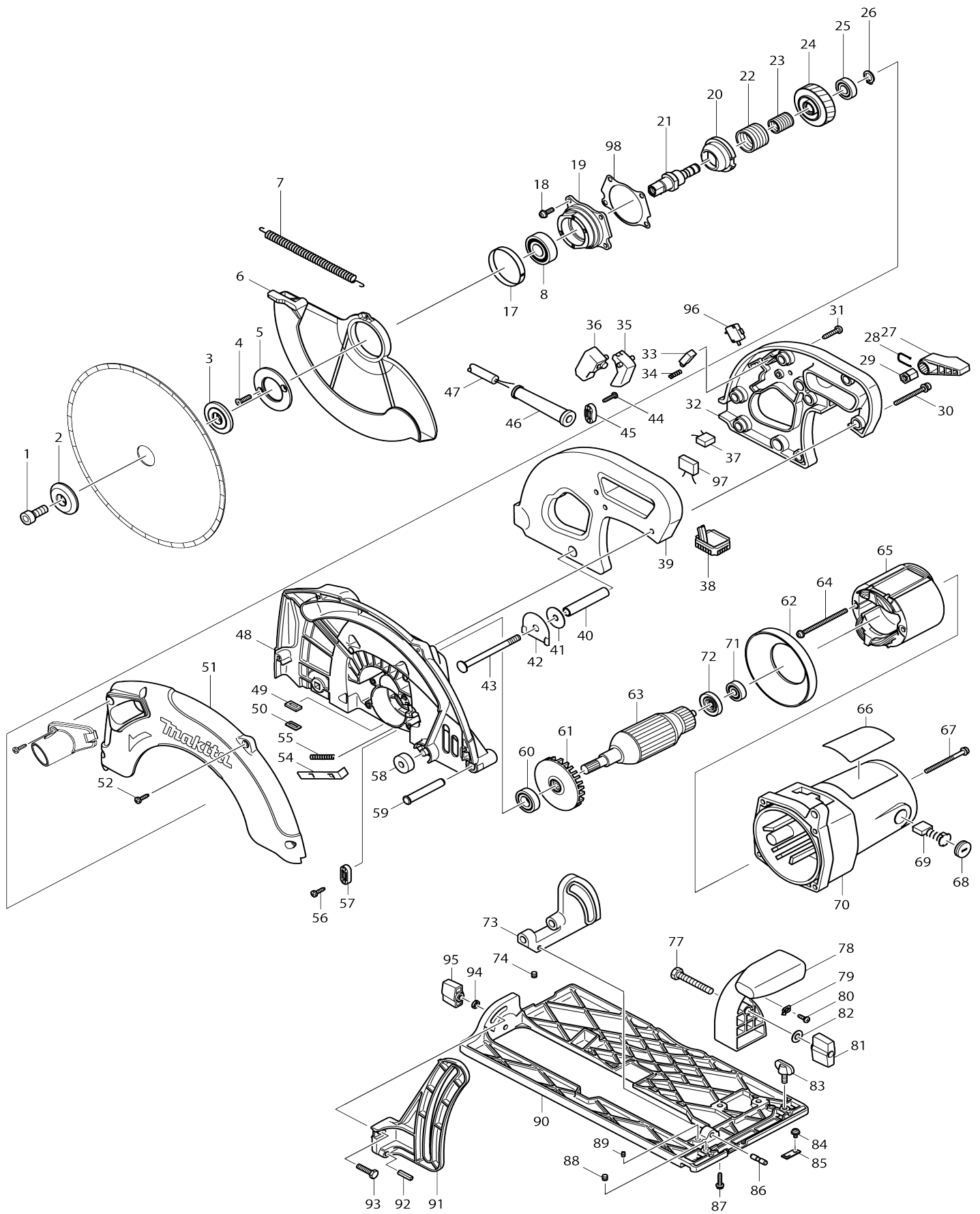


Model No.5104S CIRCULAR SAW 260/270MM



Model No.5104S CIRCULAR SAW 260/270MM

Item No.	Parts No.	Description	Interchangeability	Q'ty	New/Old	Note1	Note2
001	266083-2	HEX. SOCKET HEAD BOLT M10X25		1			
002	224325-0	OUTER FLANGE 45		1			
003	224326-8	INNER FLANGE 45		1			
004	912222-9	COUNTERSUNK HEAD SCREW M5X16		2			
005	285681-3	BEARING RETAINER 34-62		1			
006	318240-9	SAFETY COVER		1			
007	231850-4	TENSION SPRING 6		1			
008	211278-2	BALL BEARING 6203DDW		1			
017	344303-5	THICKNESS RING		1			
018	911225-0	PAN HEAD SCREW M5X16		4			
019	316709-7	BEARING BOX		1			
020	322830-2	LOCK SLEEVE		1			
021	322827-1	SPINDLE		1			
022	231968-1	LOCK SPRING 27		1			
023	231969-9	LOCK SPRING 20		1			
024	226452-9	HELICAL GEAR 39		1			
025	211104-5	BALL BEARING 6001		1			
026	961052-5	RETAINING RING (EXT) S-12		1			
027	272230-5	LEVER 54		1			
028	231955-0	RING SPRING 12		1			
029	252134-7	HEX. NUT M8		1			
030	911263-2	PAN HEAD SCREW M5X40		3			
031	266041-8	TAPPING SCREW 5X25		4			
032	182773-8	HANDLE SET		1			
D10		INC. 39					
033	415440-3	LOCK-OFF BUTTON		1			
034	231230-4	COMPRESSION SPRING 4		1			
035	415439-8	SWITCH LEVER		1			
036	651923-1	SWITCH TG70B		1			
037	645105-5	NOISE SUPPRESSOR		1			
038	631209-9	CONTROLLER 200/220/240V		1			
039	182773-8	HANDLE SET		1			
D10		INC. 32					
040	331469-0	PIPE 9		1			
041	267216-2	FLAT WASHER 8		1			
042	232151-3	LEAF SPRING		1			
043	266019-1	CAP SQUARE NECK BOLT M8X98		1			
044	265995-6	TAPPING SCREW 4X18		2			
045	687053-2	STRAIN RELIEF		1			
046	682505-8	CORD GUARD 10-90		1			
047	665890-4	POWER SUPPLY CORD 1.0-2-4.0		1			
048	158612-4	BLADE CASE COMPLETE		1			
C10	263005-3	RUBBER PIN 6		1			
049	443098-8	FELT		1			
050	344263-1	PLATE		1			
051	318237-8	BLADE CASE COVER		1			

052	266034-5	TAPPING SCREW CT 4X16		4		
054	344261-5	SHAFT LOCK		1		
055	233084-5	COMPRESSION SPRING 6		1		
056	266034-5	TAPPING SCREW CT 4X16		2		
057	687052-4	STRAIN RELIEF		1		
058	262007-6	RUBBER RING 8		1		
059	268008-2	PIN 10		1		
060	211236-8	BALL BEARING 6002DDW		1		
061	241889-9	FAN 74		1		
062	415768-9	BAFFLE PLATE		1		
063	516653-0	ARMATURE ASS'Y 220/240V		1		
D10		INC. 71,72				
064	911944-8	PAN HEAD SCREW M5X80		2		
065	596318-0	FIELD ASS'Y 220-240V		1		
C10	654197-3	RING TERMINAL		2		
C20	654502-4	CONNECTOR P-2		2		
066	864143-0	5104S NAME PLATE		1		
067	911288-6	PAN HEAD SCREW M5X65		4		
068	643700-5	BRUSH HOLDER CAP 7-18		2		
069	191953-5	CARBON BRUSH CB-203		1	*	
069-1	194991-6	CARBON BRUSH SET CB203	O	1		
070	158613-2	MOTOR HOUSING COMPLETE		1		
C10	643712-8	BRUSH HOLDER		2		
071	210042-8	BALL BEARING 629LLB		1		
072	681633-6	INSULATION WASHER		1		
073	318262-9	ANGLER PLATE		1		
074	266039-5	H.S.SET SCREW(FLAT POINT) M6X 6		1		
077	921477-5	HEX. BOLT M8X55		1		
078	415722-3	ANGULAR PLATE GUIDE		1		
079	816128-2	POINTER		1		
080	266020-6	TAPPING SCREW 4X12		1		
081	252626-6	WING NUT		1		
082	941201-0	FLAT WASHER 8		1		
083	265701-9	THUMB SCREW M6X14		1		
084	911109-2	PAN HEAD SCREW M4X8		1		
085	415433-0	TOP GUIDE		1		
086	256231-1	PIN 6		1		
087	266021-4	TAPPING SCREW 5X20		2		
088	266039-5	H.S.SET SCREW(FLAT POINT) M6X 6		1		
089	265993-0	H.S.SET SCREW(CUP POINT)M4X5		1		
090	318238-6	BASE		1		
091	318239-4	DEPTH GUIDE		1		
092	951210-1	SPRING PIN 6-20		1		
093	921342-8	HEX. BOLT M6X25		1		
094	941151-9	FLAT WASHER 6		1		
095	252624-0	WING NUT M6		1		
096	651941-9	SWITCH V-15-2A5		1		
097	645200-1	NOISE SUPPRESSOR		1		
098	442142-8	GASKET		1		
A01	165084-6	GUIDE RULE		1		

A02	783204-6	HEX. WRENCH 6		1			
A03	A-80008	T.C.T. SAW BLADE 270X18TX30		1	*		
A03-1	B-12859	TCT SAW BLADE 270X18TX30	O	1			
A04	266036-1	TAPPING SCREW BIND CT 5X20		1			
A05	450316-7	JOINT		1			

Please state Parts No. when your order.

Print Date 10/06/2023