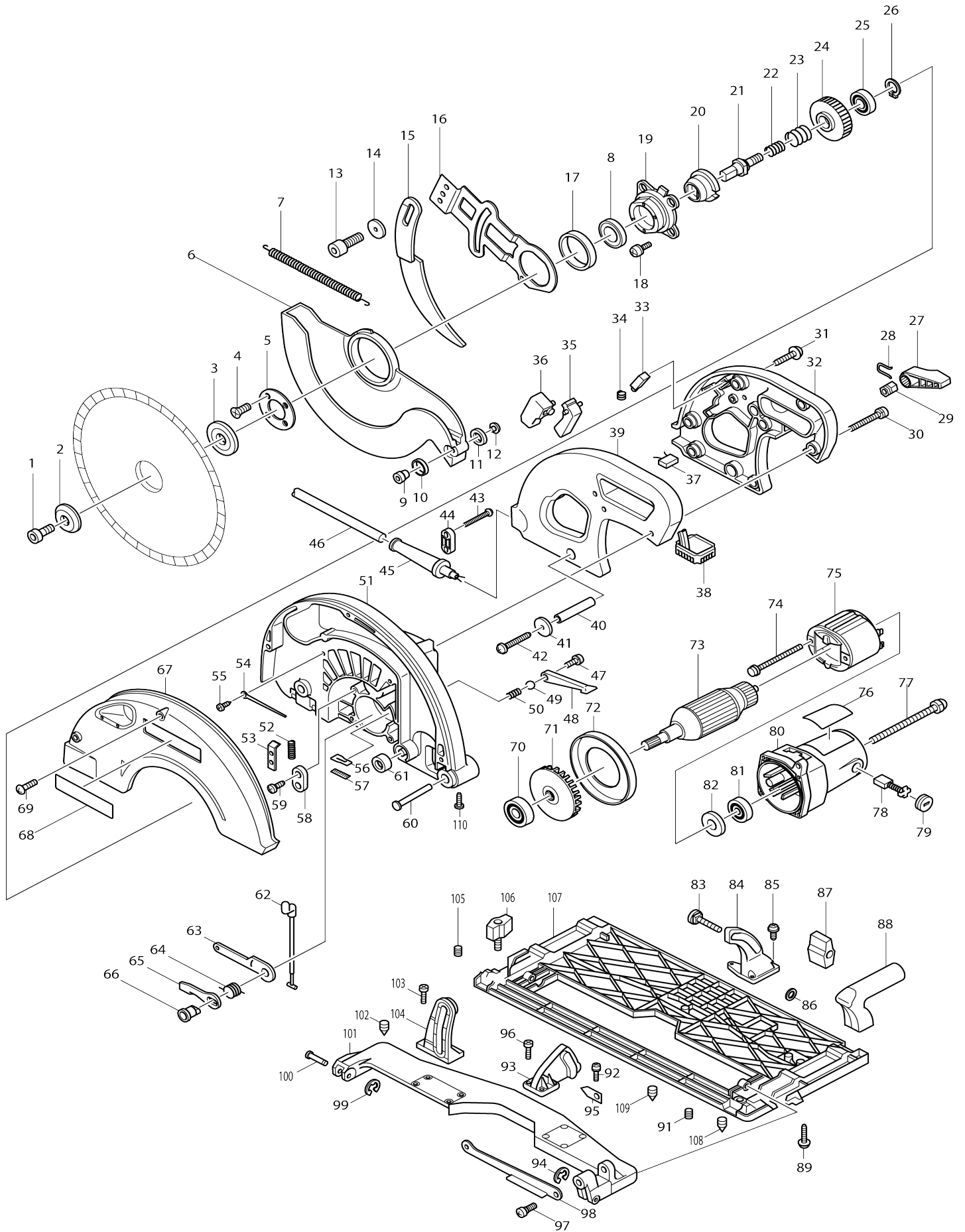


Model No.5143R CIRCULAR SAW 355MM



Model No.5143R CIRCULAR SAW 355MM

Item No.	Parts No.	Description	Interchangeability	Q'ty	New/Old	Note1	Note2
001	266083-2	HEX. SOCKET HEAD BOLT M10X25		1			
002	224327-6	OUTER FLANGE 64		1	*		
002-1	224327-6	OUTER FLANGE 64	O	1			
003	224328-4	INNER FLANGE 64		1	*		
003-1	224328-4	INNER FLANGE 64	O	1			
004	912222-9	COUNTERSUNK HEAD SCREW M5X16		4			
005	285683-9	BEARING RETAINER 42-68		1			
006	316751-8	SAFETY COVER		1	*		
006-1	318063-5	SAFETY COVER	<	1	*		
006-2	312F42-1	SAFETY COVER	O	1			
007	231803-3	TENSION SPRING 5		1	*		
007-1	231842-3	TENSION SPRING 8	S	1			
008	211329-1	BALL BEARING 6204DDW		1			
009	415437-2	ROLLER PIN 6		1			
010	415438-0	ROLLER 20		1			
011	415438-0	ROLLER 20		1			
012	415437-2	ROLLER PIN 6		1			
013	922422-3	HEX. SOCKET HEAD BOLT M8X16		1			
014	267147-5	FLAT WASHER 8		1	*		
014-1	267284-5	FLAT WASHER 8	<	1			
015	165151-7	RIVING KNIFE		1	*		
015-1	345751-1	RIVING KNIFE	<	1			
016	344297-4	RIVING KNIFE HOLDER		1	*		
016-1	345753-7	RIVING KNIFE HOLDER	<	1	*		
016-2	345753-7	RIVING KNIFE HOLDER	O	1			
017	344304-3	THICKNESS RING		1			
018	911223-4	PAN HEAD SCREW M5X16		4			
019	316753-4	BEARING BOX		1			
020	322830-2	LOCK SLEEVE		1			
021	322828-9	SPINDLE		1			
022	231969-9	LOCK SPRING 20		1			
023	231968-1	LOCK SPRING 27		1			
024	226453-7	HELICAL GEAR 57		1			
025	211104-5	BALL BEARING 6001		1			
026	961052-5	RETAINING RING (EXT) S-12		1			
027	272230-5	LEVER 54		1			
028	231955-0	RING SPRING 12		1			
029	252134-7	HEX. NUT M8		1			
030	911263-2	PAN HEAD SCREW M5X40		3			
031	266041-8	TAPPING SCREW 5X25		4			
032	182773-8	HANDLE SET		1			
D10		INC. 39					
033	415440-3	LOCK-OFF BUTTON		1			
034	231230-4	COMPRESSION SPRING 4		1			
035	415439-8	SWITCH LEVER		1			
036	651923-1	SWITCH TG70B		1			

037	645105-5	NOISE SUPPRESSOR		1		
037A_	645200-1	NOISE SUPPRESSOR		1		
038A_	631209-9	CONTROLLER 200/220/240V		1		
039	182773-8	HANDLE SET		1		
D10		INC. 32				
040	331469-0	PIPE 9		1		
041	941201-0	FLAT WASHER 8		1		
042	266019-1	CAP SQUARE NECK BOLT M8X98		1		
043	265995-6	TAPPING SCREW 4X18		2		
044A_	687052-4	STRAIN RELIEF		1		
045B_	682540-6	CORD GUARD 9.3-90		1	*	
045B1	682505-8	CORD GUARD 10-90	O	1		
046K_	665883-1	POWER SUPPLY CORD 1.0-2-5.0		1		
047	911213-7	PAN HEAD SCREW M5X12		1		
048	415908-9	LEVER 110		1	*	
048-1	416250-1	LEVER 110	X	1		
049	216004-4	STEEL BALL 7.9		1		
050	231240-1	COMPRESSION SPRING 7		1		
051	152497-0	BLADE CASE COMPLETE		1	*	
C10	263005-3	RUBBER PIN 6		1	*	
051-1	152546-3	BLADE CASE COMPLETE	X	1	*	
C10	263005-3	RUBBER PIN 6		1	*	
051-2	152549-7	BLADE CASE COMPLETE	X	1	*	
C10	263005-3	RUBBER PIN 6		1	*	
051-3	158091-6	BLADE CASE COMPLETE	S	1	*	
C10	263005-3	RUBBER PIN 6		1	*	
051-4	141X04-8	BLADE CASE COMPLETE	O	1		
C10	263005-3	RUBBER PIN 6		1		
052	233140-1	COMPRESSION SPRING 5		1		
053	344294-0	SHAFT LOCK		1		
054	322829-7	GUIDE ROD		1		
055	266026-4	TAPPING SCREW BIND CT 4X12		1		
056	443098-8	FELT		1		
057	344263-1	PLATE		1		
058	687053-2	STRAIN RELIEF		1		
059	266034-5	TAPPING SCREW CT 4X16		2		
060	268008-2	PIN 10		1	*	
060-1	268018-9	PIN 10	X	1		
061	262007-6	RUBBER RING 8		1	*	
061-1	421966-5	CUSHION	S	1		
062	353017-5	WIRE ROPE		1		
063	344295-8	ARM		1		
064	231625-1	TORSION SPRING 23		1		
065	344296-6	CAM PLATE		1		
066	268009-0	PIN 12		1		
067	415817-2	BLADE CASE COVER		1		
068	819091-8	MAKITA LABEL		1		
069	266036-1	TAPPING SCREW BIND CT 5X20		5		
070	211227-9	BALL BEARING 6002DDW		1	*	
070-1	211236-8	BALL BEARING 6002DDW	O	1		
071	241889-9	FAN 74		1		
072	415768-9	BAFFLE PLATE		1		

073B_	516668-7	ARMATURE ASS'Y 220/240V		1		
D10		INC. 81,82				
074	911947-2	PAN HEAD SCREW M5X90		2		
075B_	636118-7	FIELD 220/240V		1	*	
075B1	636173-9	FIELD 220/240V	X	1	*	
075B2	596323-7	FIELD ASS'Y 220-240V	S	1		
C10	654197-3	RING TERMINAL		2		
C20	654502-4	CONNECTOR P-2		2		
076	857936-2	NAME PLATE 5143R		1		
077	911288-6	PAN HEAD SCREW M5X65		4		
078	191953-5	CARBON BRUSH CB-203		1	*	
078-1	194991-6	CARBON BRUSH SET CB203	O	1		
079	643700-5	BRUSH HOLDER CAP 7-18		2		
080B_	159843-8	MOTOR HOUSING 200-240V		1	*	
C10	643705-5	BRUSH HOLDER		2	*	
C11	643707-1	BRUSH HOLDER	O	2	*	
C20	632542-2	SUPPORT UNIT 200-240V		1	*	
080B1	158628-9	MOTOR HOUSING 200-240V	S	1		
C10	643712-8	BRUSH HOLDER		2		
081	211056-0	BALL BEARING 629LLB		1	*	
081-1	210042-8	BALL BEARING 629LLB	O	1		
082	681633-6	INSULATION WASHER		1		
083	923471-3	CAP SQUARE NECK BOLT M8X50		1		
084	316747-9	ANGULAR PLATE GUIDE		1	*	
084-1	312F31-6	ANGULAR PLATE GUIDE	O	1		
085	266036-1	TAPPING SCREW BIND CT 5X20		3		
086	941201-0	FLAT WASHER 8		1		
087	252626-6	WING NUT		1		
088	415815-6	GRIP		1		
089	266041-8	TAPPING SCREW 5X25		2		
090	268013-9	PIN 8		1		
091	265993-0	H.S.SET SCREW(CUP POINT)M4X5		1		
092	266026-4	TAPPING SCREW BIND CT 4X12		1		
093	316746-1	ANGULAR PLATE		1	*	
093-1	316879-2	ANGULAR PLATE	X	1	*	
093-2	312F34-0	ANGULAR PLATE	O	1		
094	961012-7	STOP RING E-6		1		
095	343902-0	POINTER		1		
096	266036-1	TAPPING SCREW BIND CT 5X20		2	*	
096-1	266036-1	TAPPING SCREW BIND CT 5X20	O	4		
097	265011-4	+ BINDING HEAD SCREW M5		1		
098	344298-2	LINK		1	*	
098-1	345722-8	LINK	<	1		
099	961012-7	STOP RING E-6		1		
100	268013-9	PIN 8		1		
101	316750-0	BASE BRIDGE		1	*	
101-1	316880-7	BASE BRIDGE	X	1	*	
101-2	312F41-3	BASE BRIDGE	O	1		
102	266085-8	H.S.SET SCREW(FLAT POINT)M6X10		1		
103	266036-1	TAPPING SCREW BIND CT 5X20		3		
104	316748-7	DEPTH GUIDE		1	*	

104-1	312F32-4	DEPTH GUIDE	O	1			
105	265993-0	H.S.SET SCREW(CUP POINT)M4X5		1			
106	251858-2	DIAL SCREW M6X15		4			
107	316752-6	BASE		1	*		
107-1	312F33-2	BASE	O	1			
108	266085-8	H.S.SET SCREW(FLAT POINT)M6X 10		1			
109	266085-8	H.S.SET SCREW(FLAT POINT)M6X 10		1			
110	266026-4	TAPPING SCREW BIND CT 4X12		1			
113	442125-8	PACKING		1			
A01	A-80014	T.C.T. SAW BLADE 355X20TX30		1			
A02	152498-8	GUIDE RULE		1			
A03	783204-6	HEX. WRENCH 6		1			
E01	651941-9	SWITCH V-15-2A5		1			
E03	654510-5	INSULATED CONNECTOR 5.5-SD		1			
E04	654079-9	INSULATED RECEPTACLE DF1.25		1			
E05	654509-0	CONNECTOR 2-SD		2			
E06	654082-0	INSULATED RECEPTACLE DF2-18 7A		1			
E08	192490-2	JOINT		1			
E09	688162-0	LINE FILTER		1			

Please state Parts No. when your order.

Print Date 02/15/2024